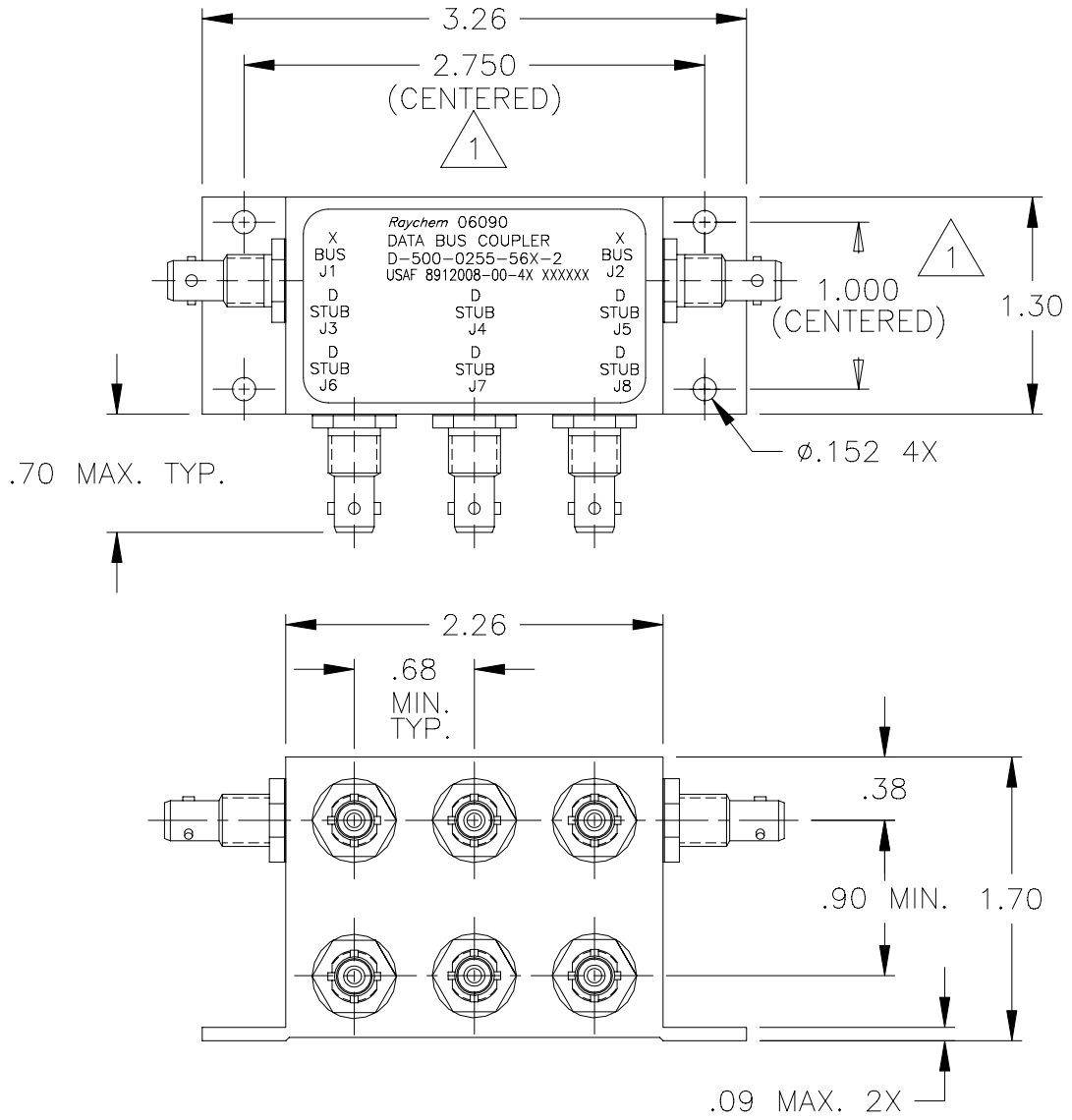


REVISIONS			
LTR	DESCRIPTION	DATE	APPROVED
N/C	INITIAL RELEASE PER ECN# T-16142	91 JUN 10	Z. TEMAN
A	REVISED PER ECN# T-20181		

NOTES:

1 HOLE PATTERN MACHINED SYMMETRIC WITHIN MOUNTING FLANGE.



SIDE MOUNT BUS CONFIGURATION

SPECIFICATION CONTROL DRAWING

UNLESS OTHERWISE SPECIFIED DIMENSIONS ARE IN INCHES. METRIC DIMENSIONS ARE IN BRACKETS.	DRAWN	J.B.K.	91 MAY 6	tyco Electronics	Tyco Electronics Corporation 300 Constitution Drive Menlo Park, CA. 94025 U.S.A.	Raychem	
	CHECKED						
	DECIMALS .XXX ± .010 { — mm } .XX ± .03 { — mm }	APPROVED			TITLE 6 STUB, DATA BUS COUPLER W/CORROSION RESISTANT TRIAXIAL BAYONET CONNECTORS		
ANGLES .X — ± —	APPROVED	Z.TEMAN	91 JUN 10	SIZE	CODE IDENT. NO.	DWG. NO.	REV
WEIGHT	CAD NAME	009068-1.DWG		A	06090	D-500-0255-56X-2	A
178 GRAMS MAX	THIRD ANGLE PROJECTION			DO NOT SCALE THIS DRAWING			SHEET 1 OF 2

1.0 INTERMATEABILITY

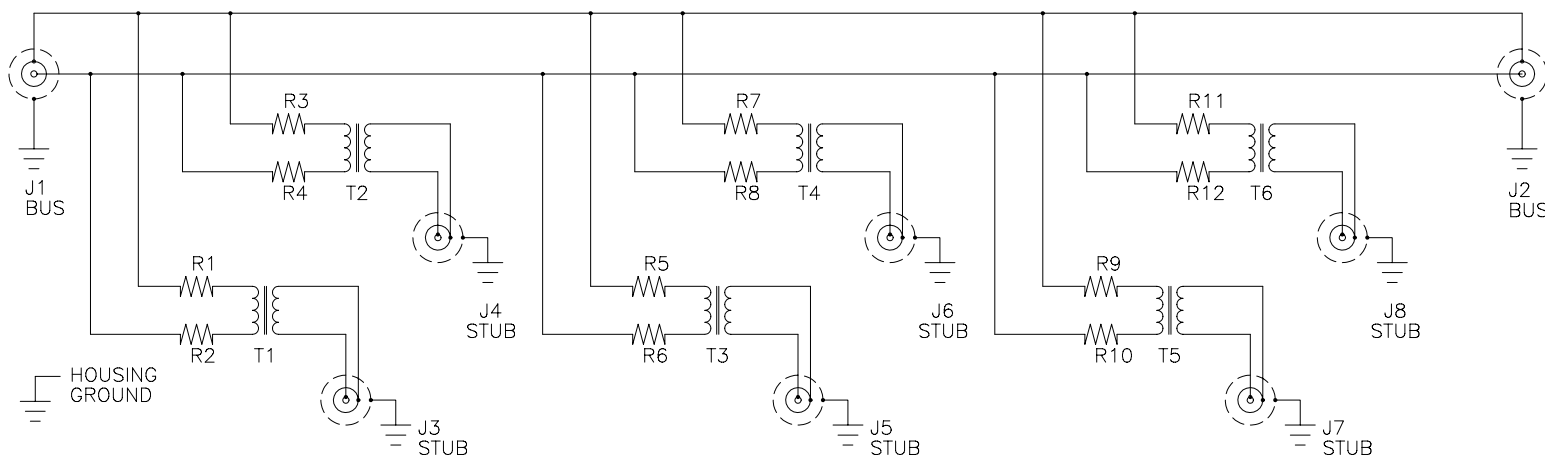
CONNECTOR BOX JACK	MATING PLUG	KEY ("X")
DK-621-0434-1S (8912004-00-05)	DK-621-0433-1P (8912003-00-01)	A
DK-621-0436-2S (8912004-00-06)	DK-621-0435-2P (8912003-00-02)	B
DK-621-0438-3S (8912004-00-07)	DK-621-0437-3P (8912003-00-03)	C
DK-621-0440-4P (8912004-00-04)	DK-621-0439-4S (8912003-00-08)	D

2.0 PERFORMANCE

- 2.1 THIS COUPLER IS DESIGNED TO MEET THE APPLICABLE FUNCTIONAL REQUIREMENT OF RAYCHEM SPECIFICATION D-6021 AND USAF 8912008.
- 2.2 THE COUPLER SHALL OPERATE UNDER ANY OF THE ENVIRONMENTAL SERVICE CONDITIONS AS SPECIFIED IN MIL-E-5400, CLASS ∇ UPGRADED TO 125°C CONTINUOUS OPERATION.
- 2.3 ALTITUDE: SEA LEVEL TO 75,000 FEET
- 3.0

CONNECTOR D-500-0255	BUS JACKS J1 AND J2	STUB JACKS J3 THRU J8
-563-2 (8912008-00-40)	DK-621-0434-1S "A" (8912004-00-01)	DK-621-0440-4P "D" (8912004-00-08)
-565-2 (8912008-00-41)	DK-621-0436-2S "B" (8912004-00-02)	DK-621-0440-4P "D" (8912004-00-08)
-567-2 (8912008-00-42)	DK-621-0438-3S "C" (8912004-00-03)	DK-621-0440-4P "D" (8912004-00-08)

SCHEMATIC DIAGRAM



CAD NAME: 009068-2

DRAWN

J.B.K.

91 MAY 6

SIZE

CODE IDENT. NO.

DWG. NO.

A

06090

D-500-0255-56X-2

ISSUED

DO NOT SCALE THIS DRAWING

SHEET 2 OF 2