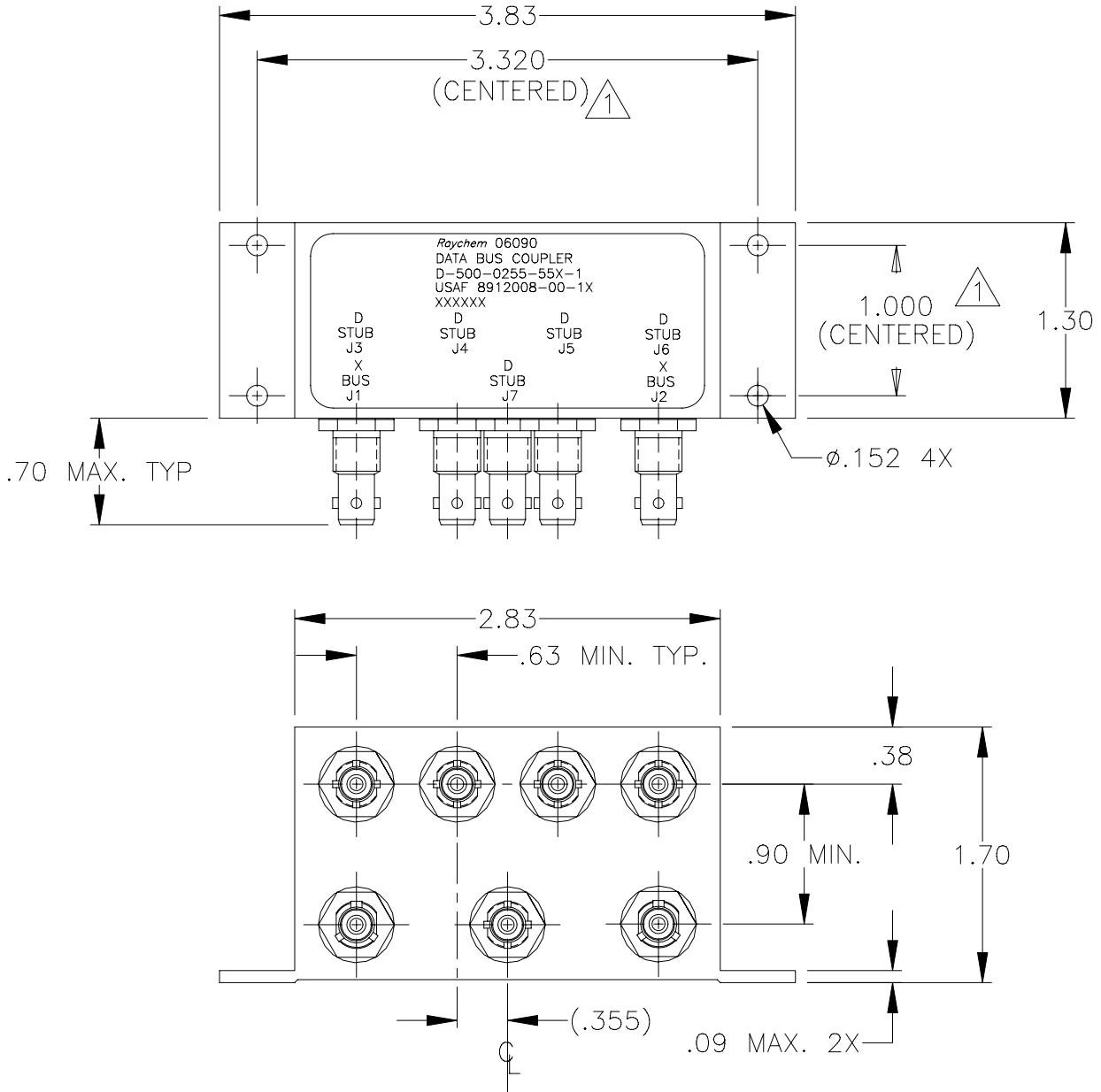


REVISIONS			
LTR	DESCRIPTION	DATE	APPROVED
B	REVISED PER ECN# T-20113	95JUN05	Z. TEMAN
C	REVISED PER ECN# T-20289		

NOTES:

① HOLE PATTERN MACHINED SYMMETRIC WITHIN MOUNTING FLANGE.



SPECIFICATION CONTROL DRAWING

UNLESS OTHERWISE SPECIFIED DIMENSIONS ARE IN INCHES. METRIC DIMENSIONS ARE IN BRACKETS.	DRAWN	J.B.K.	90 JUL 3	tyco Electronics	Tyco Electronics Corporation 300 Constitution Drive Menlo Park, CA. 94025 U.S.A.		Raychem
	CHECKED						
DECIMALS .XXX ±.010 } mm .XX ±.03 } mm	APPROVED			TITLE DATA BUS COUPLER, 5 STUB W/CORROSION RESISTANT TRIAXIAL BAYONET CONNECTORS			
ANGLES .X ±	APPROVED	Z.TEMAN	90 JUL 17	SIZE	CODE IDENT. NO.	DWG. NO.	REV
WEIGHT 195 GRAMS MAX	CAD NAME	004948-1.DWG		A	06090	D-500-0255-55X-1	C
THIRD ANGLE PROJECTION				DO NOT SCALE THIS DRAWING		SHEET 1 OF 2	

1.0 INTERMATEABILITY

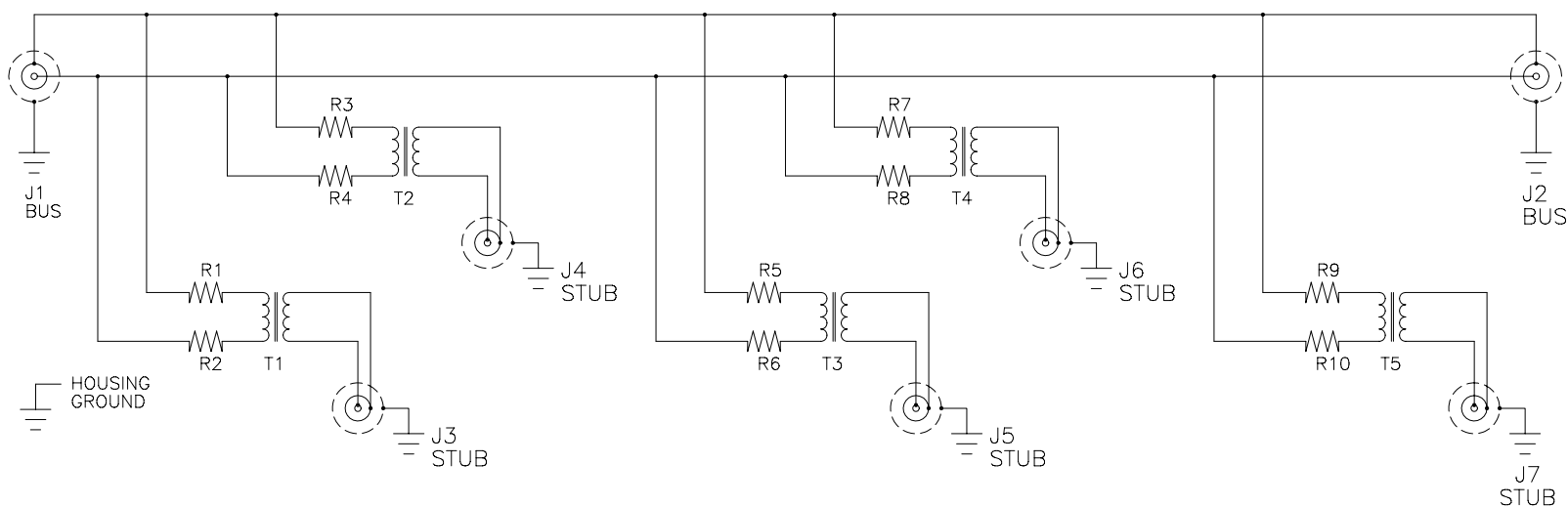
CONNECTOR BOX JACK	MATING PLUG	KEY ("X")
DK-621-0434-1S (8912004-00-05)	DK-621-0433-1P (8912003-00-01)	A
DK-621-0436-2S (8912004-00-06)	DK-621-0435-2P (8912003-00-02)	B
DK-621-0438-3S (8912004-00-07)	DK-621-0437-3P (8912003-00-03)	C
DK-621-0440-4P (8912004-00-04)	DK-621-0439-4S (8912003-00-08)	D

2.0 PERFORMANCE

- 2.1 THIS COUPLER IS DESIGNED TO MEET THE APPLICABLE FUNCTIONAL REQUIREMENT OF RAYCHEM SPECIFICATION D-6021 AND USAF 8912008.
- 2.2 THE COUPLER SHALL OPERATE UNDER ANY OF THE ENVIRONMENTAL SERVICE CONDITIONS AS SPECIFIED IN MIL-E-5400, CLASS ∇ UPGRADED TO 125°C CONTINUOUS OPERATION.
- 2.3 ALTITUDE: SEA LEVEL TO 75,000 FEET
- 3.0

D-500-0255	BUS JACKS J1 AND J2	STUB JACKS J3 THRU J7
-553-1 (8912008-00-13)	DK-621-0434-1S "A" (8912004-00-05)	DK-621-0440-4P "D" (8912004-00-04)
-555-1 (8912008-00-14)	DK-621-0436-2S "B" (8912004-00-06)	DK-621-0440-4P "D" (8912004-00-04)
-557-1 (8912008-00-15)	DK-621-0438-3S "C" (8912004-00-07)	DK-621-0440-4P "D" (8912004-00-04)

SCHEMATIC DIAGRAM



CAD NAME: 004948-2

DRAWN

J.B.K.

91 APR 29

SIZE

CODE IDENT. NO.

DWG. NO.

A

06090

D-500-0255-55X-1

ISSUED

DO NOT SCALE THIS DRAWING

SHEET 2 OF 2