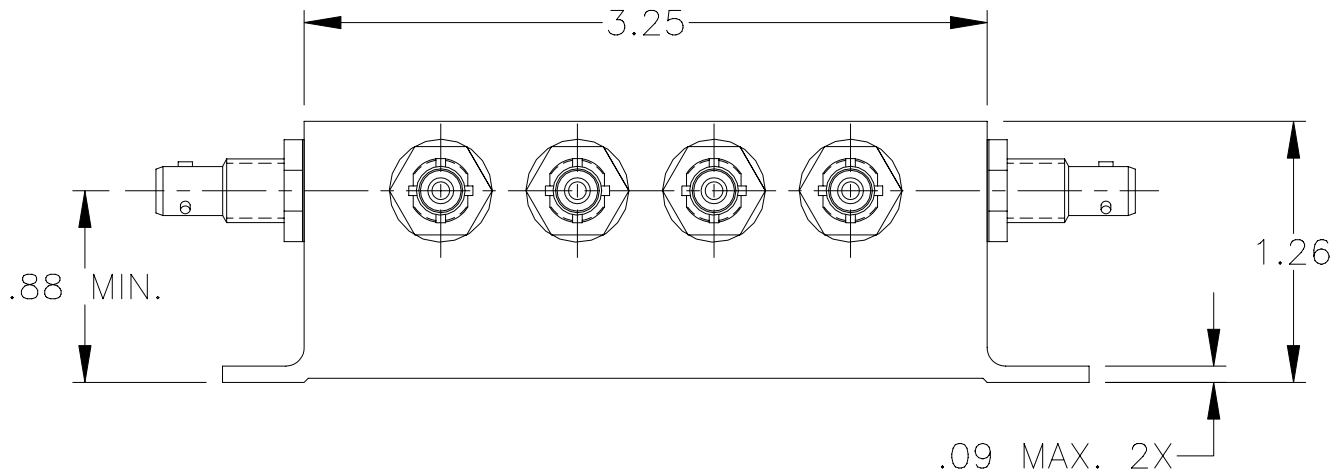
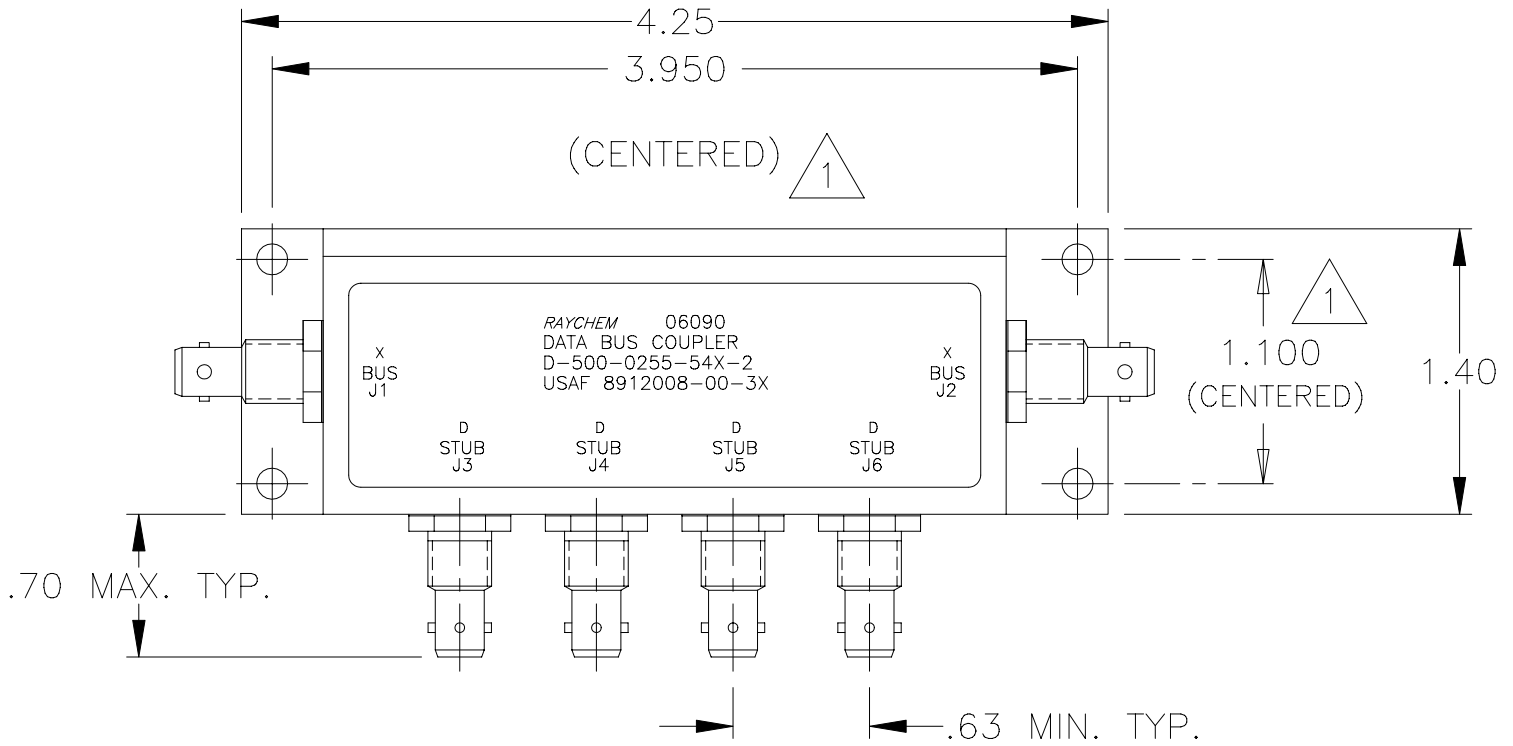


NOTES:

REVISIONS			
LTR	DESCRIPTION	DATE	APPROVED
N/C	INITIAL RELEASE PER ECN# T-16139	91 MAY 7	Z. TEMAN
A	REVISED PER ECN# T-16310	91 JUN 10	Z. TEMAN
B	REVISED PER ECN# T-20112		

1 HOLE PATTERN MACHINED SYMMETRIC WITHIN MOUNTING FLANGE.



SPECIFICATION CONTROL DRAWING

UNLESS OTHERWISE SPECIFIED DIMENSIONS ARE IN INCHES. METRIC DIMENSIONS ARE IN BRACKETS.

DECIMALS
 .XXX ±.010 [mm]
 .XX ±.03 [mm]
 ANGLES
 .X ±

WEIGHT
 1.70 GRAMS MAX.

DRAWN	J.B.K.	91 APR 29
CHECKED		
APPROVED		
APPROVED	Z.TEMAN	91 MAY 7
CAD NAME	009065-1.DWG	

	Tyco Electronics Corporation 300 Constitution Drive Menlo Park, CA. 94025 U.S.A.	
	TITLE	

4 STUB
 DATA BUS BAYONET COUPLER
 WITH TRIAXIAL CONNECTORS

THIRD ANGLE PROJECTION

SIZE	CODE IDENT. NO.	DWG. NO.	REV
A	06090	D-500-0255-54X-2	B
DO NOT SCALE THIS DRAWING		SHEET 1 OF 2	

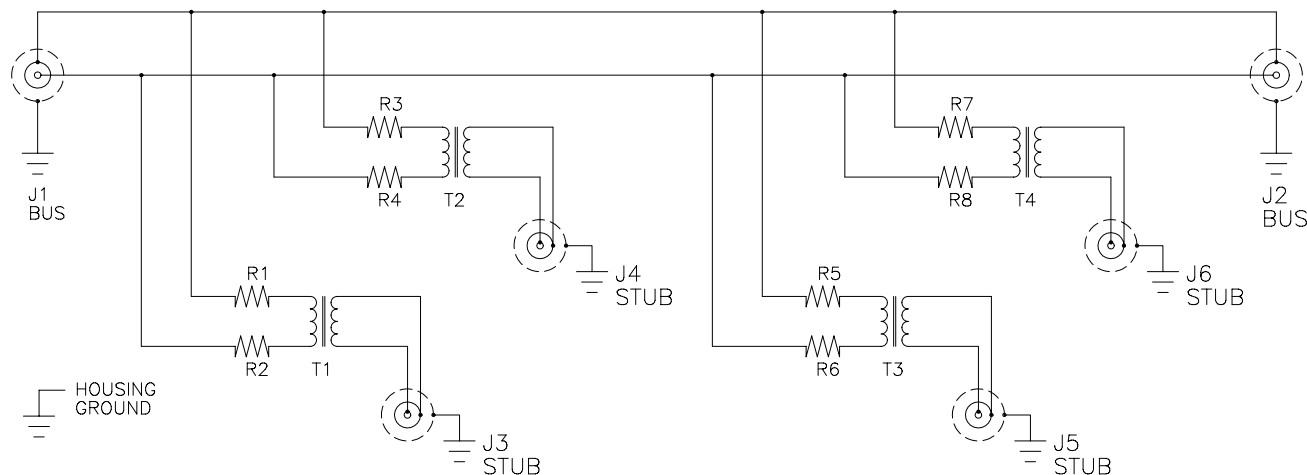
1.0 INTERMATEABILITY

CONNECTOR BOX JACK	MATING PLUG	KEY ("X")
DK-621-0434-1S (8912004-00-05)	DK-621-0433-1P (8912003-00-01)	A
DK-621-0436-2S (8912004-00-06)	DK-621-0435-2P (8912003-00-02)	B
DK-621-0438-3S (8912004-00-07)	DK-621-0437-3P (8912003-00-03)	C
DK-621-0440-4P (8912004-00-04)	DK-621-0439-4S (8912003-00-08)	D

2.0 PERFORMANCE

- 2.1 THIS COUPLER IS DESIGNED TO MEET THE APPLICABLE FUNCTIONAL REQUIREMENT OF RAYCHEM SPECIFICATION D-6021 AND USAF 8912008.
- 2.2 THE COUPLER SHALL OPERATE UNDER ANY OF THE ENVIRONMENTAL SERVICE CONDITIONS AS SPECIFIED IN MIL-E-5400, CLASS ∇ UPGRADED TO 125°C CONTINUOUS OPERATION.
- 2.3 ALTITUDE: SEA LEVEL TO 75,000 FEET
- 3.0.

D-500-0255	BUS JACKS J1 AND J2	STUB JACKS J3 THRU J6
-543-2 (8912008-00-34)	DK-621-0434-1S "A" (8912004-00-05)	DK-621-0440-4P "D" (8912004-00-04)
-545-2 (8912008-00-35)	DK-621-0436-2S "B" (8912004-00-06)	DK-621-0440-4P "D" (8912004-00-04)
-547-2 (8912008-00-36)	DK-621-0438-3S "C" (8912004-00-07)	DK-621-0440-4P "D" (8912004-00-04)

SCHEMATIC DIAGRAM

CAD NAME: 009065-2

DRAWN

J.B.K.

91 APR 29

SIZE

CODE IDENT. NO.

DWG. NO.

A

06090

D-500-0255-54X-2

ISSUED

DO NOT SCALE THIS DRAWING

SHEET 2 OF 2