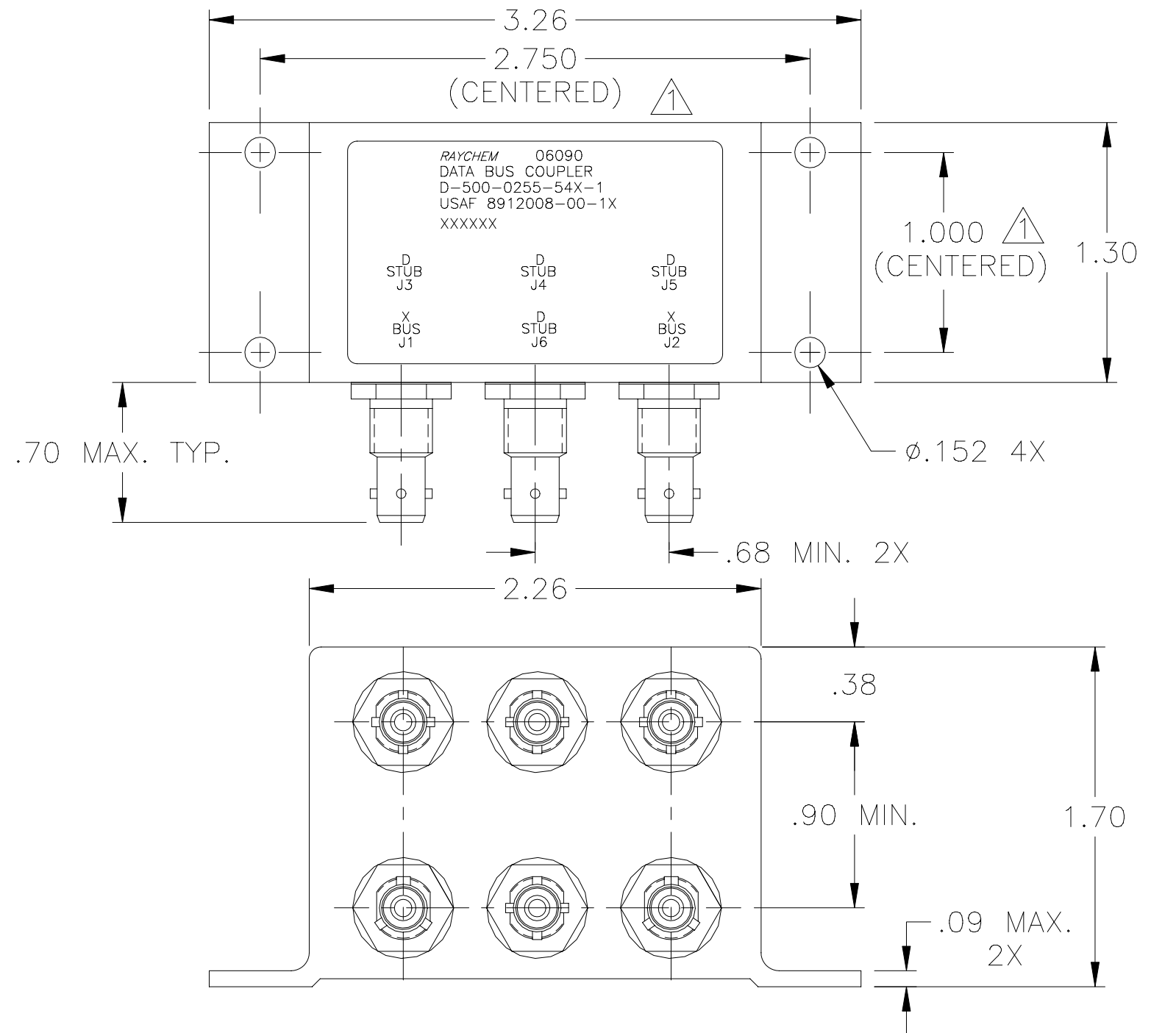


NOTES:
 ▲ HOLE PATTERN MACHINED SYMMETRIC WITHIN MOUNTING FLANGE.

REVISIONS			
LTR	DESCRIPTION	DATE	APPROVED
A	REVISED PER ECN# T-20101	95MAY22	Z. TEMAN
B	REVISED PER ECN# T-20112	95JUN05	Z. TEMAN



SPECIFICATION CONTROL DRAWING

UNLESS OTHERWISE SPECIFIED DIMENSIONS ARE IN INCHES. METRIC DIMENSIONS ARE IN BRACKETS.

DECIMALS
 .XXX ± .010 [— mm]
 .XX ± .03 [— mm]

ANGLES
 .X ± —

WEIGHT
 150 GRAMS MAX.

DRAWN	J.B.K.	91 MAY 22
CHECKED		
APPROVED		
APPROVED	Z.TEMAN	91 JUN 10
CAD NAME	009078-1.DWG	
THIRD ANGLE PROJECTION		

		Tyco Electronics Corporation 300 Constitution Drive Menlo Park, CA. 94025 U.S.A.			
TITLE					
4 STUB DATA BUS BAYONET COUPLER WITH TRIAXIAL CONNECTORS					
SIZE	CODE IDENT. NO.	DWG. NO.	REV		
A	06090	D-500-0255-54X-1	B		
DO NOT SCALE THIS DRAWING			SHEET 1 OF 2		

1.0 INTERMATEABILITY

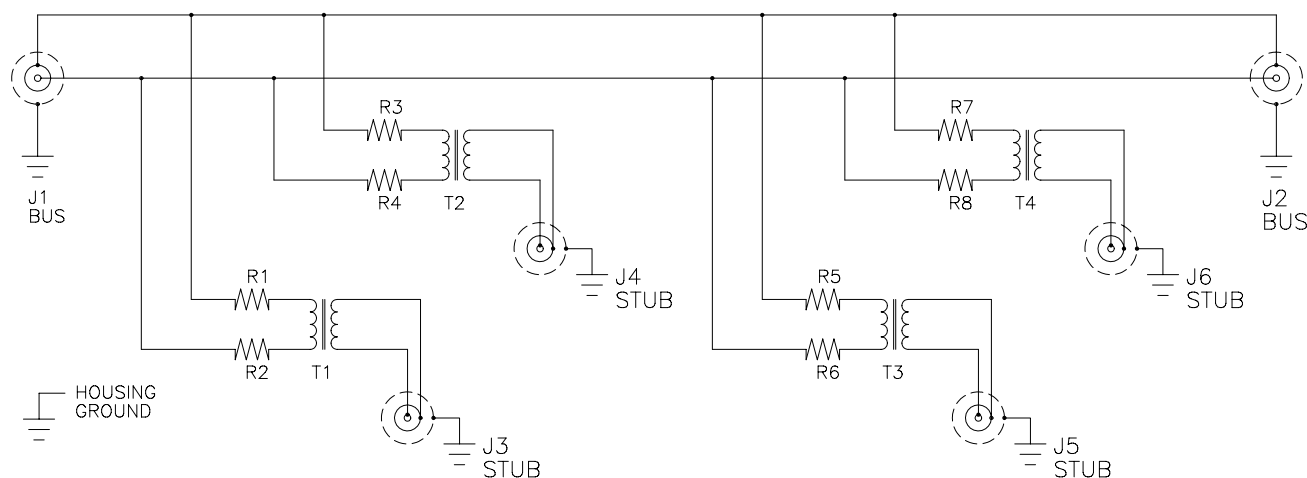
CONNECTOR BOX JACK	MATING PLUG	KEY ("X")
DK-621-0434-1S (8912004-00-05)	DK-621-0433-1P (8912003-00-01)	A
DK-621-0436-2S (8912004-00-06)	DK-621-0435-2P (8912003-00-02)	B
DK-621-0438-3S (8912004-00-07)	DK-621-0437-3P (8912003-00-03)	C
DK-621-0440-4P (8912004-00-04)	DK-621-0439-4S (8912003-00-08)	D

2.0 PERFORMANCE

- 2.1 THIS COUPLER IS DESIGNED TO MEET THE APPLICABLE FUNCTIONAL REQUIREMENT OF RAYCHEM SPECIFICATION D-6021 AND USAF 8912008.
- 2.2 THE COUPLER SHALL OPERATE UNDER ANY OF THE ENVIRONMENTAL SERVICE CONDITIONS AS SPECIFIED IN MIL-E-5400, CLASS ∇ UPGRADED TO 125°C CONTINUOUS OPERATION.
- 2.3 ALTITUDE: SEA LEVEL TO 75,000 FEET
- 3.0

D-500-0255	BUS JACKS J1 AND J2	STUB JACKS J3 THRU J6
-543-1 (8912008-00-10)	DK-621-0434-1S "A" (8912004-00-05)	DK-621-0440-4P "D" (8912004-00-04)
-545-1 (8912008-00-11)	DK-621-0436-2S "B" (8912004-00-06)	DK-621-0440-4P "D" (8912004-00-04)
-547-1 (8912008-00-12)	DK-621-0438-3S "C" (8912004-00-07)	DK-621-0440-4P "D" (8912004-00-04)

SCHEMATIC DIAGRAM



CAD NAME: 009078-2

DRAWN

J.B.K.

91 MAY 22

SIZE

CODE IDENT. NO.

DWG. NO.

A

06090

D-500-0255-54X-1

ISSUED

DO NOT SCALE THIS DRAWING

SHEET 2 OF 2