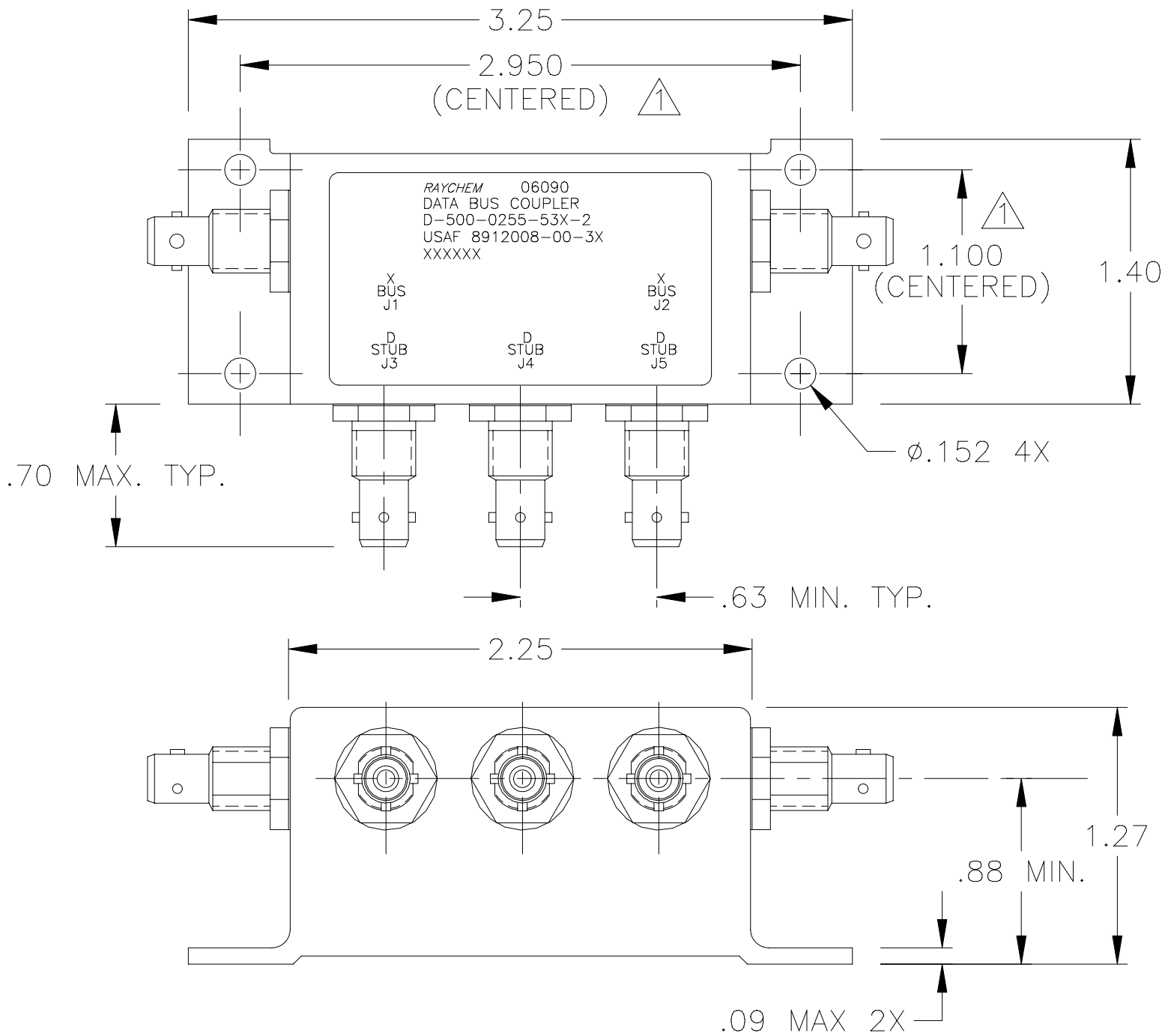


REVISIONS			
LTR	DESCRIPTION	DATE	APPROVED
A	REVISED PER ECN T-20025	95APR20	Z.E.T.
B	REVISED PER ECN T-21779	10/20/97	Z.E.T.

① HOLE PATTERN MACHINED SYMMETRIC TO MOUNTING FLANGE.



## SPECIFICATION CONTROL DRAWING

UNLESS OTHERWISE SPECIFIED DIMENSIONS ARE IN INCHES. METRIC DIMENSIONS ARE IN BRACKETS.

DECIMALS  
 .XXX ± .010 [ — mm ]  
 .XX ± .03 [ — mm ]

ANGLES  
 .X ± —

WEIGHT  
 120 GRAMS MAX

DRAWN	J.B.K.	91MAY22
CHECKED	Z.E.T.	91JUN10
APPROVED		
APPROVED		
CAD NAME	T21779a	
THIRD ANGLE PROJECTION		

		Tyco Electronics Corporation 300 Constitution Drive Menlo Park, CA. 94025 U.S.A.			
TITLE					
3 STUB DATA BUS BAYONET COUPLER WITH TRIAXIAL CONNECTORS					
SIZE	CODE IDENT. NO.	DWG. NO.	REV		
A	06090	D-500-0255-53X-2	B		
DO NOT SCALE THIS DRAWING			SHEET 1 OF 2		

## 1.0 INTERMATEABILITY

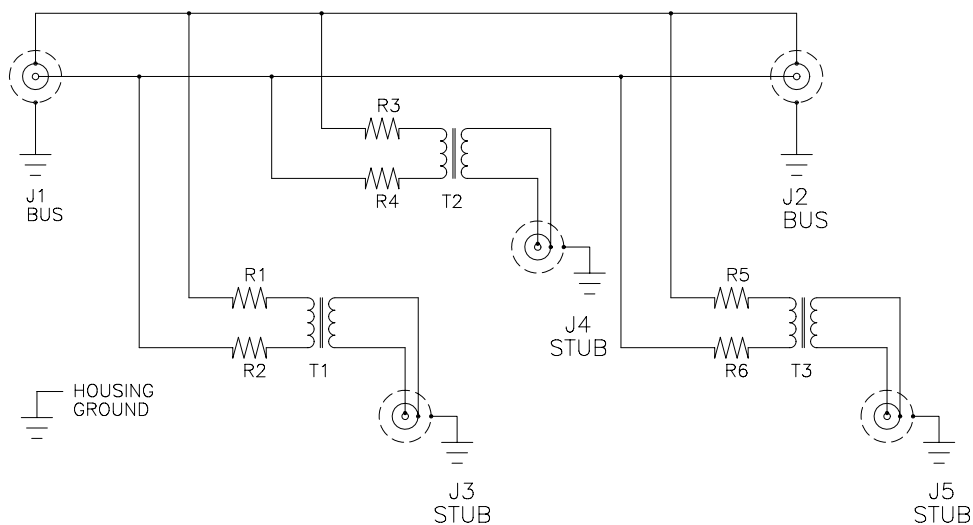
CONNECTOR BOX JACK	MATING PLUG
DK-621-0434-1S (8912004-00-05)	DK-621-0433-1P (8912003-00-01)
DK-621-0436-2S (8912004-00-06)	DK-621-0435-2P (8912003-00-02)
DK-621-0438-3S (8912004-00-07)	DK-621-0437-3P (8912003-00-03)
DK-621-0440-4P (8912004-00-04)	DK-621-0439-4S (8912003-00-08)

## 2.0 PERFORMANCE

- 2.1 THIS COUPLER IS DESIGNED TO MEET THE APPLICABLE FUNCTIONAL REQUIREMENT OF RAYCHEM SPECIFICATION D-6021 AND USAF 8912008.
- 2.2 THE COUPLER SHALL OPERATE UNDER ANY OF THE ENVIRONMENTAL SERVICE CONDITIONS AS SPECIFIED IN MIL-E-5400, CLASS  $\nabla$  UPGRADED TO 125°C CONTINUOUS OPERATION.
- 2.3 ALTITUDE: SEA LEVEL TO 75,000 FEET
- 3.0

D-500-0255	BUS JACKS J1 AND J2	STUB JACKS J3 THRU J5
-533-2 (8912008-00-31)	DK-621-0434-1S "A" (8912004-00-05)	DK-621-0440-4P "D" (8912004-00-04)
-535-2 (8912008-00-32)	DK-621-0436-2S "B" (8912004-00-06)	DK-621-0440-4P "D" (8912004-00-04)
-537-2 (8912008-00-33)	DK-621-0438-3S "C" (8912004-00-07)	DK-621-0440-4P "D" (8912004-00-04)

## SCHEMATIC DIAGRAM



CAD NAME: T21779b

DRAWN

SIZE

CODE IDENT. NO.

DWG. NO.

REV.

ISSUED

DO NOT SCALE THIS DRAWING

SHEET 2 OF 2

A 06090

D-500-0255-53X-2

B