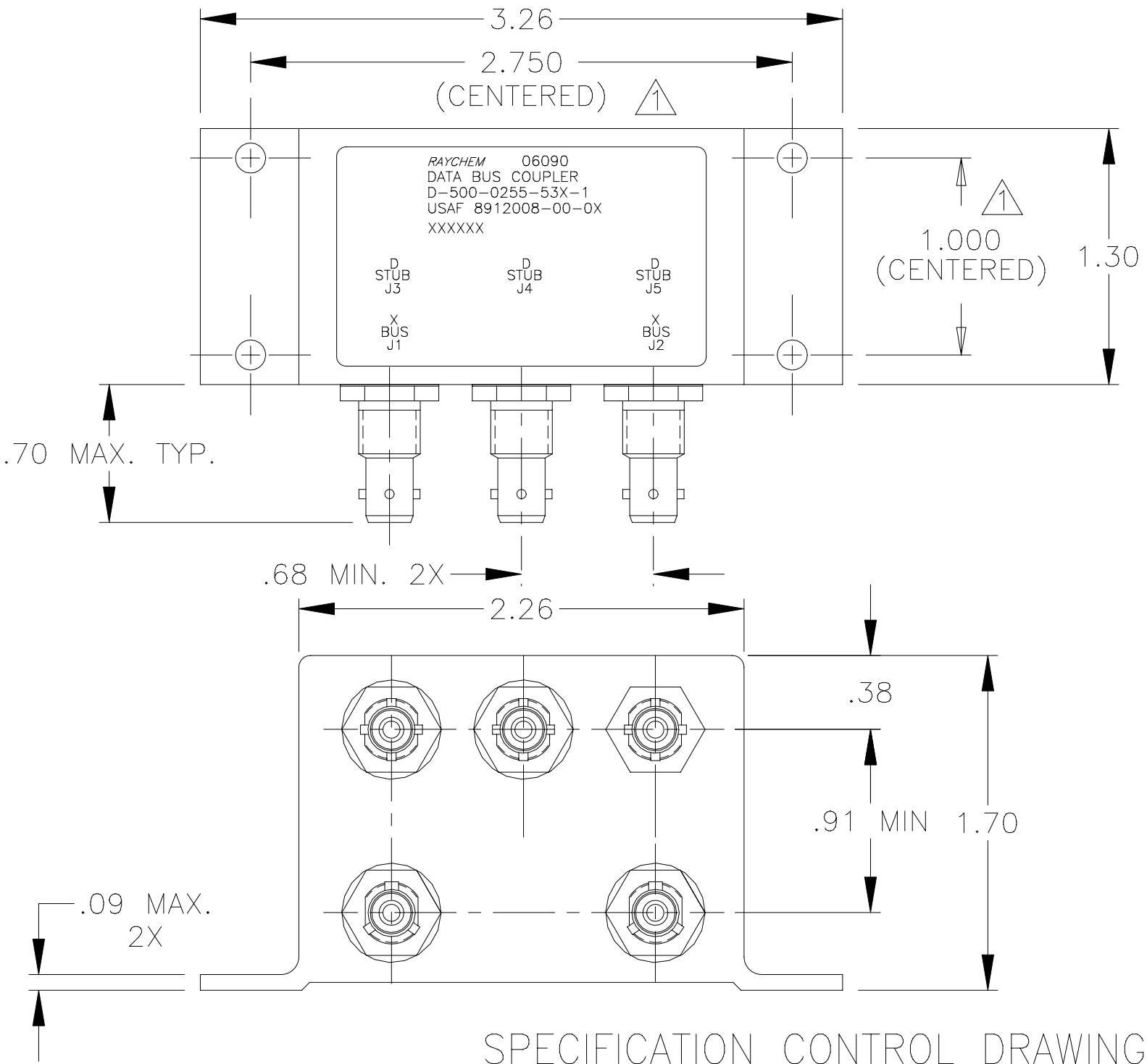


| REVISIONS | | | |
|-----------|--------------------------|---------|----------|
| LTR | DESCRIPTION | DATE | APPROVED |
| B | REVISED PER ECN# T-20111 | 95JUN05 | Z. TEMAN |
| C | REVISED PER ECN# T-20290 | | |



SPECIFICATION CONTROL DRAWING

UNLESS OTHERWISE SPECIFIED DIMENSIONS ARE IN INCHES. METRIC DIMENSIONS ARE IN BRACKETS.

DECIMALS
 .XXX ±.010 [— mm]
 .XX ±.03 [— mm]

ANGLES
 .X ± —

WEIGHT
 146 GRAMS MAX

| | | |
|------------------------|--------------|-----------|
| DRAWN | J.B.K. | 91 MAY 20 |
| CHECKED | | |
| APPROVED | | |
| APPROVED | Z.TEMAN | 91 JUN 10 |
| CAD NAME | 009076-1.DWG | |
| THIRD ANGLE PROJECTION | | |

| | | | | |
|---------------------------|-----------------|--|--------------|--|
| | | Tyco Electronics Corporation 300 Constitution Drive Menlo Park, CA. 94025 U.S.A. | | |
| | | TITLE 3 STUB DATA BUS BAYONET COUPLER WITH TRIAXIAL CONNECTORS | | |
| SIZE | CODE IDENT. NO. | DWG. NO. | REV | |
| A | 06090 | D-500-0255-53X-1 | C | |
| DO NOT SCALE THIS DRAWING | | | SHEET 1 OF 2 | |

1.0 INTERMATEABILITY

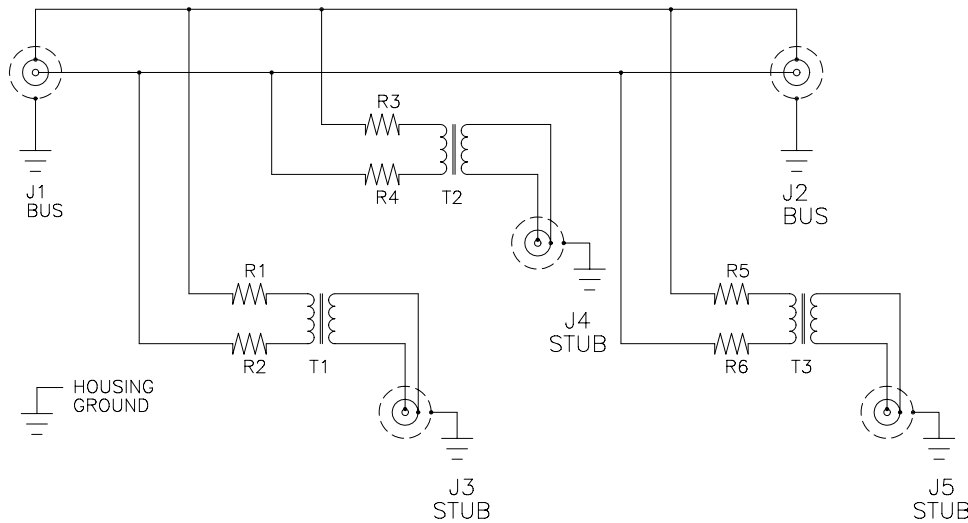
| CONNECTOR BOX JACK | MATING PLUG | KEY ("X") |
|-----------------------------------|-----------------------------------|-----------|
| DK-621-0434-1S (8912004-00-05) | DK-621-0433-1P (8912003-00-01) | A |
| DK-621-0436-2S (8912004-00-06) | DK-621-0435-2P (8912003-00-02) | B |
| DK-621-0438-3S (8912004-00-07) | DK-621-0437-3P (8912003-00-03) | C |
| DK-621-0440-4P (8912004-00-04) | DK-621-0439-4S (8912003-00-08) | D |

2.0 PERFORMANCE

- 2.1 THIS COUPLER IS DESIGNED TO MEET THE APPLICABLE FUNCTIONAL REQUIREMENT OF RAYCHEM SPECIFICATION D-6021 AND USAF 8912008.
- 2.2 THE COUPLER SHALL OPERATE UNDER ANY OF THE ENVIRONMENTAL SERVICE CONDITIONS AS SPECIFIED IN MIL-E-5400, CLASS ∇ UPGRADED TO 125°C CONTINUOUS OPERATION.
- 2.3 ALTITUDE: SEA LEVEL TO 75,000 FEET
- 3.0

| D-500-0255 | BUS JACKS J1 AND J2 | STUB JACKS J3 THRU J5 |
|---------------------------|---------------------------------------|---------------------------------------|
| -533-1 (8912008-00-07) | DK-621-0434-1S "A" (8912004-00-05) | DK-621-0440-4P "D" (8912004-00-04) |
| -535-1 (8912008-00-08) | DK-621-0436-2S "B" (8912004-00-06) | DK-621-0440-4P "D" (8912004-00-04) |
| -537-1 (8912008-00-09) | DK-621-0438-3S "C" (8912004-00-07) | DK-621-0440-4P "D" (8912004-00-04) |

SCHMATIC DIAGRAM



NOTES:

\triangle HOLE PATTERN MACHINED SYMMETRIC WITHIN MOUNTING FLANGE.

| | | | | | | |
|---|--------|--------|-----------|---------------------------|-----------------|------------------|
| CAD NAME: 009076-2 | DRAWN | J.B.K. | 91 MAY 20 | SIZE | CODE IDENT. NO. | DWG. NO. |
| | ISSUED | | | A | 06090 | D-500-0255-53X-1 |
| Downloaded from Elcodis.com electronic components distributor | | | | DO NOT SCALE THIS DRAWING | | SHEET 2 OF 2 |