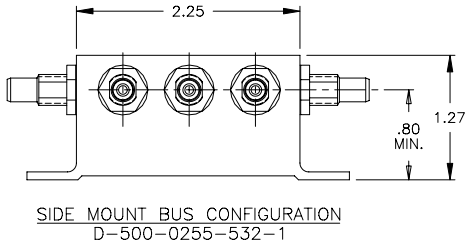
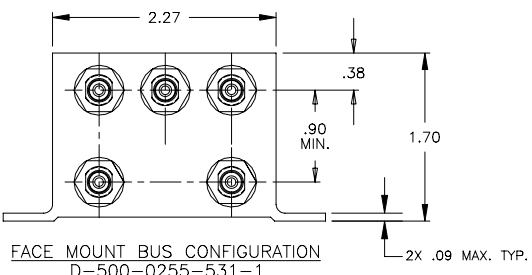
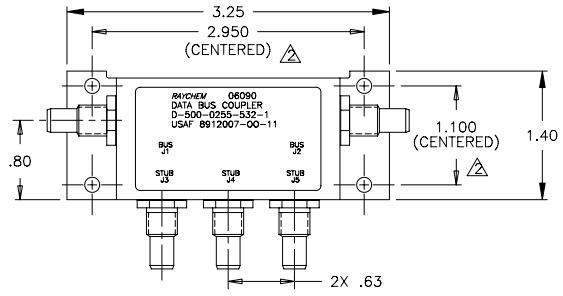
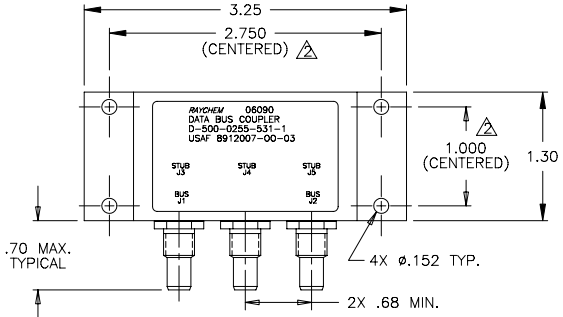


REVISIONS			
LTR	DESCRIPTION	DATE	APPROVED
N/C	RELEASED PER ECN T-16882	93JAN15	Z.TEMAN
A	REVISED PER ECN T-19869		



- ③ WEIGHT: D-500-0255-531-1 155 grams MAX.
D-500-0255-532-1 126 grams MAX.
- ② HOLE PATTERN MACHINED SYMMETRIC TO MOUNTING FLANGE.
- 1. ORIENTATION OF CONNECTORS IS APPROXIMATELY AS SHOWN.

NOTES:

SPECIFICATION CONTROL DRAWING

UNLESS OTHERWISE SPECIFIED DIMENSIONS ARE IN INCHES, AND TOLERANCES ARE: DEC .XXX ±.010 DEC .XX ±.03 ANGLE ± - MATERIAL FINISH PCN -	DRAWN J.B.KAY	DATE 91NOV04		Tyco Electronics Corporation 300 Constitution Drive Menlo Park, CA. 94025 U.S.A.		
	CHECKED	DATE				
	APPROVED Z.TEMAN	DATE 92JAN15	TITLE 3 STUB DATA BUS COUPLER WITH THREADED TRIAXIAL CONNECTORS			
	MATERIAL	THIRD ANGLE PROJECTION 	SIZE A	CODE IDENT. NO. 06090	DWG. NO. D-500-0255-531/532-1	REV A
FINISH	CAD NAME 009152-1.DWG	SCALE: NONE DO NOT SCALE THIS DRAWING SHEET 1 OF 2				
PCN -	PROJECT					

1.0 INTERMATEABILITY

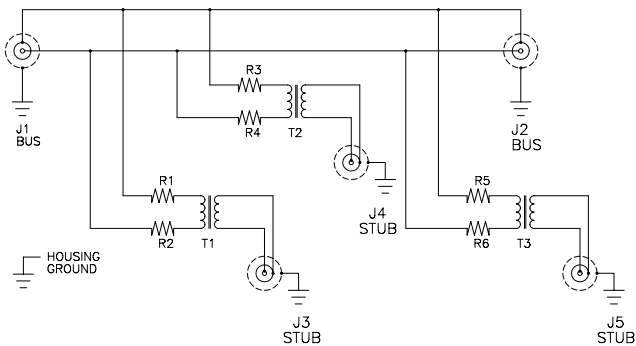
BUS JACKS J1 AND J2	MATING PLUG
DK-621-0412-P (8340711-00-01)	DK-621-0411-S (8340709-00-02)

STUB JACK J3, J4 AND J5	MATING PLUG
DK-621-0412-S (8340711-00-02)	DK-621-0411-P (8340709-00-01)

2.0 PERFORMANCE

- 2.1 THIS COUPLER IS DESIGNED TO MEET THE APPLICABLE FUNCTIONAL REQUIREMENT OF RAYCHEM SPECIFICATION D-6021 AND USAF 8912007.
- 2.2 THE COUPLER SHALL OPERATE UNDER ANY OF THE ENVIRONMENTAL SERVICE CONDITIONS AS SPECIFIED IN MIL-E-5400, CLASS ∇ UPGRADED TO 125°C CONTINUOUS OPERATION.
- 2.3 ALTITUDE: SEA LEVEL TO 75,000 FEET

SCHEMATIC DIAGRAM



DRAWN	J. B. KAY	DATE	91NOV04	SIZE	CODE IDENT. NO.	DWG. NO.	REV
CAD NAME	009152-2.DWG			A	06090	D-500-0255-531/532-1	A
				SCALE:	NONE	DO NOT SCALE THIS DRAWING	SHEET 2 OF 2