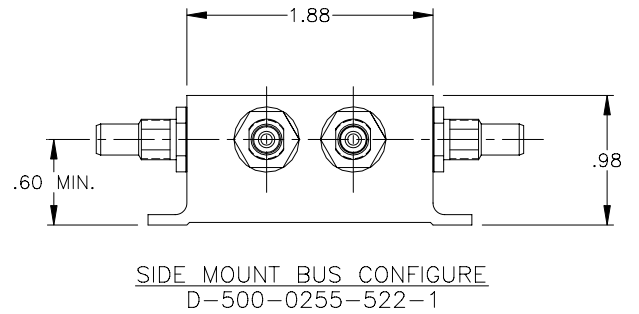
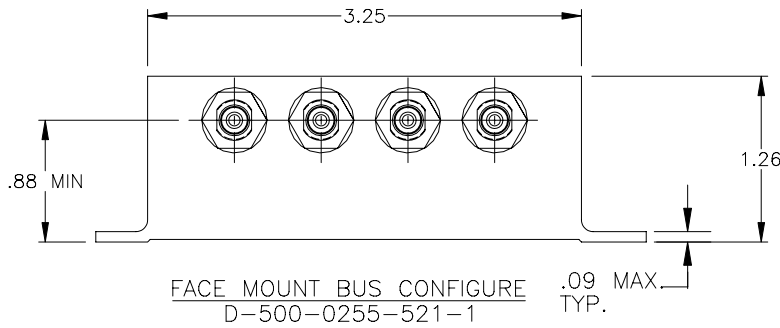
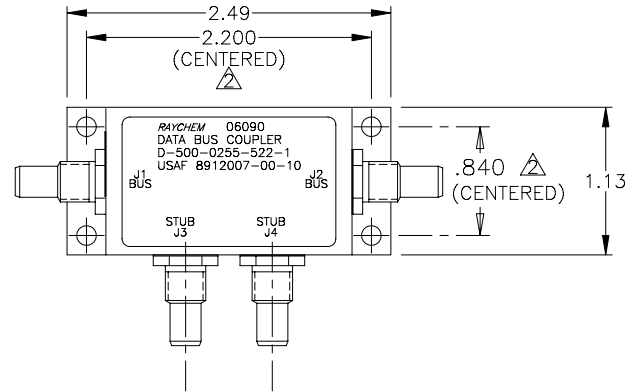
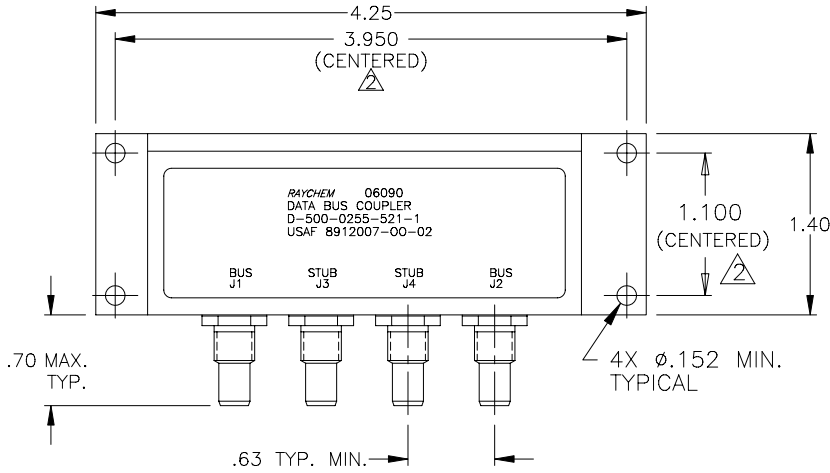


REVISIONS			
LTR	DESCRIPTION	DATE	APPROVED
C	REVISED PER ECN# T-20119	92 JAN 8	Z. TEMAN
D	REVISED PER ECN# T-20326		



SPECIFICATION CONTROL DRAWING

3 WEIGHT: D-500-0255-521-1 150 grams MAX.
D-500-0255-522-1 88 grams MAX.

2 HOLE PATTERN MACHINED SYMMETRIC TO MOUNTING FLANGE.

1. ORIENTATION OF CONNECTORS IS APPROXIMATELY AS SHOWN.

NOTES:

UNLESS OTHERWISE SPECIFIED DIMENSIONS ARE IN INCHES. METRIC DIMENSIONS ARE IN BRACKETS. DECIMALS .XXX ± .010 [— mm] .XX ± .03 [— mm] ANGLES .X ± — WEIGHT	DRAWN	J.B.K.	91 NOV 4	tyco Electronics	Tyco Electronics Corporation 300 Constitution Drive Menlo Park, CA, 94025 U.S.A.	Raychem		
	CHECKED							
	APPROVED				TITLE	2 STUB DATA BUS BOX COUPLER WITH THREADED TRIAXIAL CONNECTORS		
	APPROVED	Z.TEMAN	92 JAN 8	CAD NAME	009050-1	SIZE	CODE IDENT. NO.	DWG. NO.
THIRD ANGLE PROJECTION				A	06090	D-500-0255-521/522-1	D	
DO NOT SCALE THIS DRAWING				SHEET 1 OF 2				

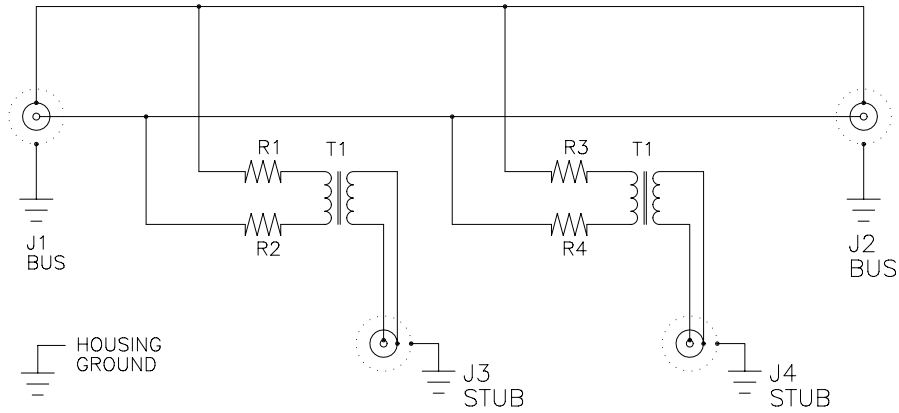
1.0 INTERMATEABILITY

BUS JACKS J1 AND J2	MATING PLUG
DK-621-0412-P (8340711-00-01)	DK-621-0411-S (8340709-00-02)

STUB JACKS J3 AND J4	MATING PLUG
DK-621-0412-S (8340711-00-02)	DK-621-0411-P (8340709-00-01)

2.0 PERFORMANCE

- 2.1 THIS COUPLER IS DESIGNED TO MEET THE APPLICABLE FUNCTIONAL REQUIREMENT OF RAYCHEM SPECIFICATION D-6021 AND USAF 8912007.
- 2.2 THE COUPLER SHALL OPERATE UNDER ANY OF THE ENVIRONMENTAL SERVICE CONDITIONS AS SPECIFIED IN MIL-E-5400, CLASS ∇ UPGRADED TO 125°C CONTINUOUS OPERATION.
- 2.3 ALTITUDE: SEA LEVEL TO 75,000 FEET

SCHEMATIC DIAGRAM

CAD NAME: 009050-2	DRAWN J.B.K.	DATE 91 NOV 5	SIZE A	CODE IDENT. NO. 06090	DWG. NO. D-500-0255-521/522-1
	ISSUED	DATE	DO NOT SCALE THIS DRAWING	SHEET 2 OF 2	