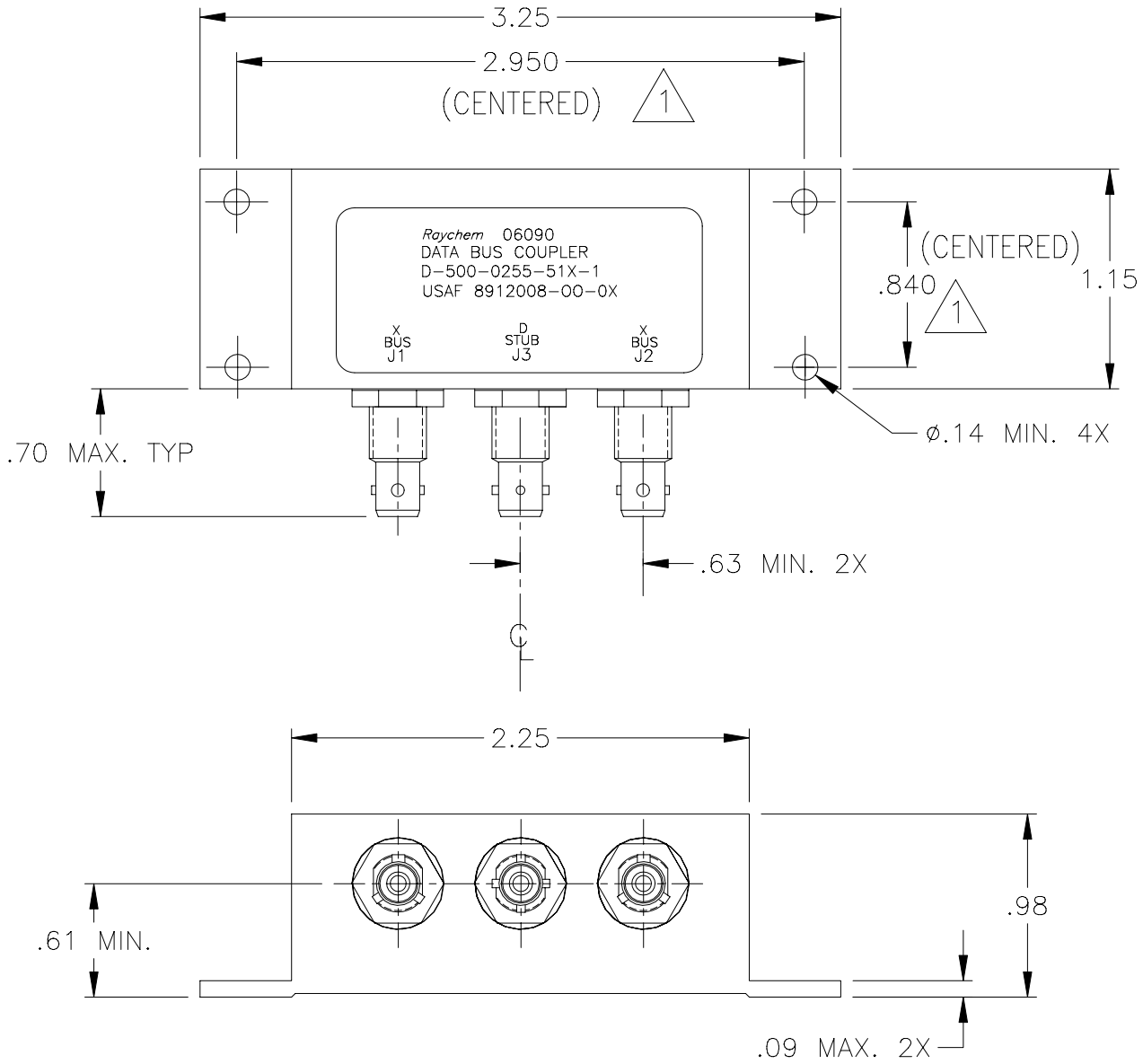


| REVISIONS | | | |
|-----------|--------------------------|---------|----------|
| LTR | DESCRIPTION | DATE | APPROVED |
| E | REVISED PER ECN# T-20047 | 95MAY11 | Z. TEMAN |
| F | REVISED PER ECN# T-20324 | | |

NOTES:

1 HOLE PATTERN MACHINED SYMMETRIC TO MOUNTING FLANGE.



SPECIFICATION CONTROL DRAWING

| | | | | | |
|---|----------------------------|---------------------------|--|--------------|--|
| UNLESS OTHERWISE SPECIFIED DIMENSIONS ARE IN INCHES. METRIC DIMENSIONS ARE IN BRACKETS. DECIMALS .XXX ± .010 [— mm] .XX ± .03 [— mm] ANGLES .X — ± — WEIGHT: [85g MAX] | DRAWN J.B.K. 91 JAN 21 | | Tyco Electronics Corporation 300 Constitution Drive Menlo Park, CA. 94025 U.S.A. | | |
| | CHECKED | | | | |
| | APPROVED | | TITLE 1 STUB DATA BUS BAYONET COUPLER WITH TRIAXIAL CONNECTORS | | |
| | APPROVED Z.TEMAN 91 JAN 22 | | SIZE A CODE IDENT. NO. 06090 DWG. NO. D-500-0255-51X-1 REV F | | |
| CAD NAME 009019-1.DWG | | THIRD ANGLE PROJECTION | | | |
| | | DO NOT SCALE THIS DRAWING | | SHEET 1 OF 2 | |

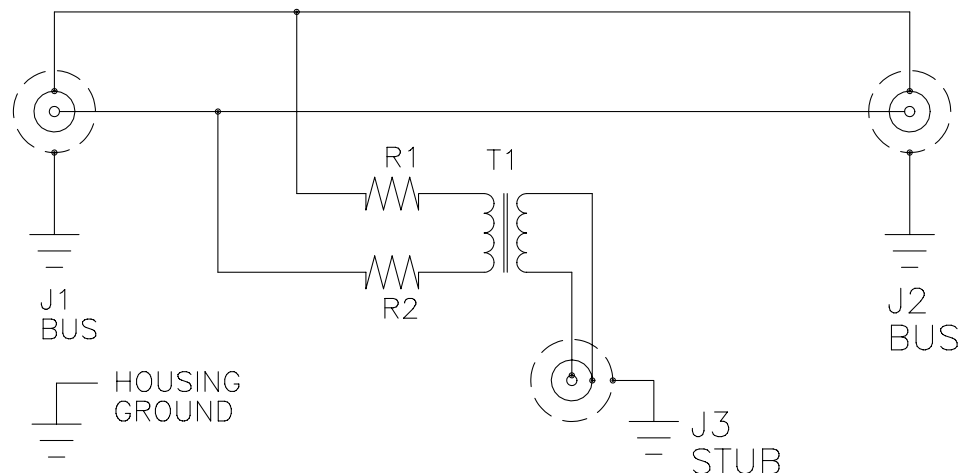
1.0 INTERMATEABILITY

| CONNECTOR BOX JACK | MATING PLUG | KEY |
|-----------------------------------|-----------------------------------|-----|
| DK-621-0434-1S (8912004-00-05) | DK-621-0433-1P (8912003-00-01) | A |
| DK-621-0436-2S (8912004-00-06) | DK-621-0435-2P (8912003-00-02) | B |
| DK-621-0438-3S (8912004-00-07) | DK-621-0437-3P (8912003-00-03) | C |
| DK-621-0440-4P (8912004-00-04) | DK-621-0439-4S (8912003-00-08) | D |

2.0 PERFORMANCE

- 2.1 THIS COUPLER IS DESIGNED TO MEET THE APPLICABLE FUNCTIONAL REQUIREMENT OF RAYCHEM SPECIFICATION D-6021 AND USAF 8912008.
- 2.2 THE COUPLER SHALL OPERATE UNDER ANY OF THE ENVIRONMENTAL SERVICE CONDITIONS AS SPECIFIED IN MIL-E-5400, CLASS ∇ UPGRADED TO 125°C CONTINUOUS OPERATION.
- 2.3 ALTITUDE: SEA LEVEL TO 75,000 FEET
- 3.0

| D-500-0255 | BUS JACKS J1 AND J2 | STUB JACKS J3 |
|---------------------------|---------------------------------------|---------------------------------------|
| -513-1 (8912008-00-01) | DK-621-0434-1S "A" (8912004-00-05) | DK-621-0440-4P "D" (8912004-00-04) |
| -515-1 (8912008-00-02) | DK-621-0436-2S "B" (8912004-00-06) | DK-621-0440-4P "D" (8912004-00-04) |
| -517-1 (8912008-00-03) | DK-621-0438-3S "C" (8912004-00-07) | DK-621-0440-4P "D" (8912004-00-04) |

SCHEMATIC DIAGRAM

CAD NAME: 009019-2

DRAWN

J.B.K.

91 JAN 21

SIZE
ACODE IDENT. NO.
06090

DWG. NO.

D-500-0255-51X-1

ISSUED

DO NOT SCALE THIS DRAWING

SHEET 2 OF 2