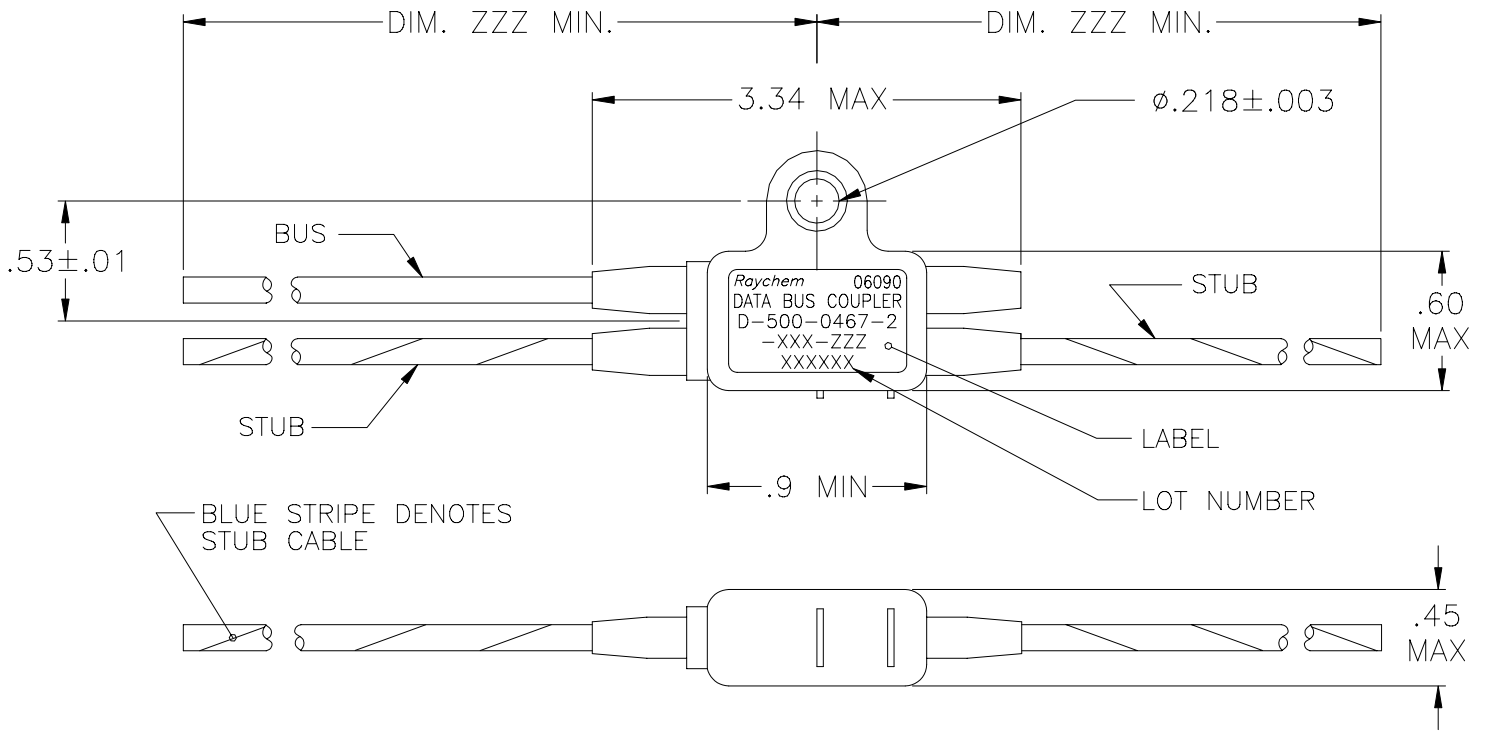


REVISION		
REV	DESCRIPTION	DATE
A	REVISED PER DCR NUMBER T31577	6/12/03



COMPONENT NUMBER	BUS CABLE	STUB CABLE
D-500-0467-2-612-ZZZ	10612-24-9	10612-24-96
D-500-0467-2-613-ZZZ	10613-24-9	10613-24-96
D-500-0467-2-614-ZZZ	10614-24-9	10614-24-96

PART NO. D-500-0467-2-XXX-ZZZ

SCHEMATIC 7=TERMINATOR (AS SHOWN)

2=DOUBLE STUB

LENGTH OF CABLE (INCHES)

CABLE  
 612=10612 (SINGLE OPTIMIZED BRAID)  
 613=10613 (DOUBLE OPTIMIZED BRAID)  
 614=10614 (EMP HARDENED)

SPECIFICATION CONTROL DRAWING		
<b>tyco</b> <b>Electronics</b>		Tyco Electronics 300 CONSTITUTION DRIVE MENLO PARK, CALIFORNIA 94025 USA
<b>Raychem</b>		
TITLE DATABUS MICROCOUPLER, TWO STUB, IN-LINE 04 SERIES W/BUS TERMINATOR & MOUNTING LUG		
SIZE A	CODE IDENT. NO. 06090	DWG. NO. D-500-0467-2-XXX-ZZZ
DO NOT SCALE THIS DRAWING		SHEET 1 OF 2

UNLESS OTHERWISE SPECIFIED DIMENSIONS ARE INCHES. METRIC DIMENSIONS ARE IN BRACKETS.

DECIMAL TOLERANCES  
 .XXX ± --- [ --- mm]  
 .XX ± --- [ --- mm]  
 .X ± --- [ --- mm]

ANGLE TOLERANCE  
 .X ± ---

WEIGHT  
 SEE NOTES

CAD FILE  
 T31577A

DRAWN  
D.PIQUE

DATE  
95AUG25

MATERIAL

FINISH

THIRD ANGLE PROJECTION

1. MATERIAL AND FINISHES:

## 1.1 INTERNAL COMPONENTS:

1.1.1 -TRANSFORMER TO MIL-PRF-21038 AND MIL-STD-1553B

1.1.2 -RESISTORS, ISOLATION PER MIL-PRF-39007/9, 57.6 OHMS (R1)

1.1.3 -RESISTOR, TERMINATION PER MIL-PRF-39007/9, 76.8 OHMS (R2)

1.2 SHIELDED CASE: ALUMINUM PER ASTM-B618

1.3 SEALED STRAIN RELIEF COVER: MODIFIED CROSS-LINKED ELASTOMER, BLACK,  
TO RAYCHEM SPECIFICATION RK-6713.

1.4 CABLE TYPE PER RAYCHEM SPECIFICATION 1200 (SEE PART NO. ON SHEET 1).

2. APPLICATION:2.1 THIS COUPLER IS DESIGNED TO BE INSTALLED INTO A DIGITAL MULTIPLEX ASSEMBLY  
MEETING THE REQUIREMENTS OF MIL-STD-1553B.

2.2 FOR CABLE SPLICING USE FLEXIBLE SPLICE KIT D-150-0708-5 (NOT SUPPLIED)

2.3 CABLE BEND RADIUS PER SAE-AS50881 STATIC BEND: 5 x CABLE O.D. MIN.  
DYNAMIC BEND: 10 x CABLE O.D. MIN.3. TEMPERATURE:

3.1 OPERATING TEMPERATURE: -65°C TO +150°C

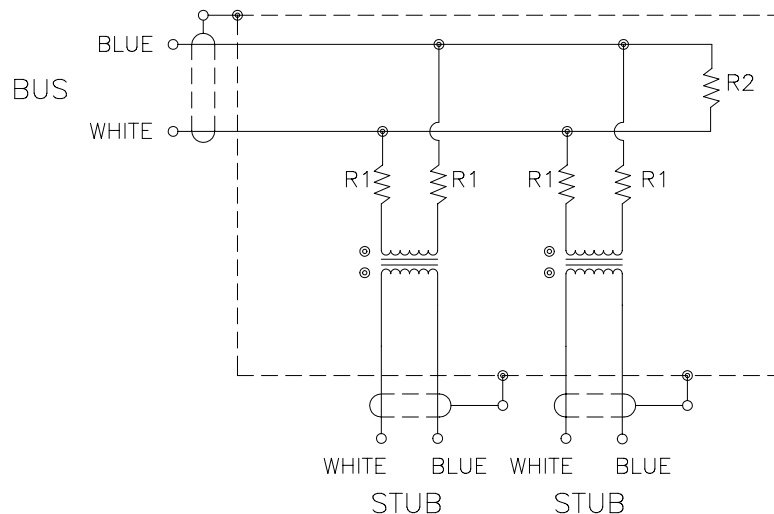
4. PERFORMANCE SPECIFICATIONS:

4.1 TRANSFORMER MEETS THE PERFORMANCE REQUIREMENTS OF MIL-STD-1553B.

4.2 COUPLER MEETS THE PERFORMANCE REQUIREMENTS OF RAYCHEM SPECIFICATION D-6020.

5. WEIGHT:

5.1 MAXIMUM WEIGHT WITHOUT CABLE: 15 GRAMS MAX.

TWO STUB COUPLER SCHEMATIC

## SPECIFICATION CONTROL DRAWING

DRAWN DCP	DATE 95AUG25	SIZE A	CODE IDENT. NO. 06090	DWG. NO. D-500-0467-2-XXX-ZZZ	REV A
CAD FILE T31577B	<b>tyco</b> <b>Electronics</b>	DO NOT SCALE THIS DRAWING			SHEET 2 OF 2