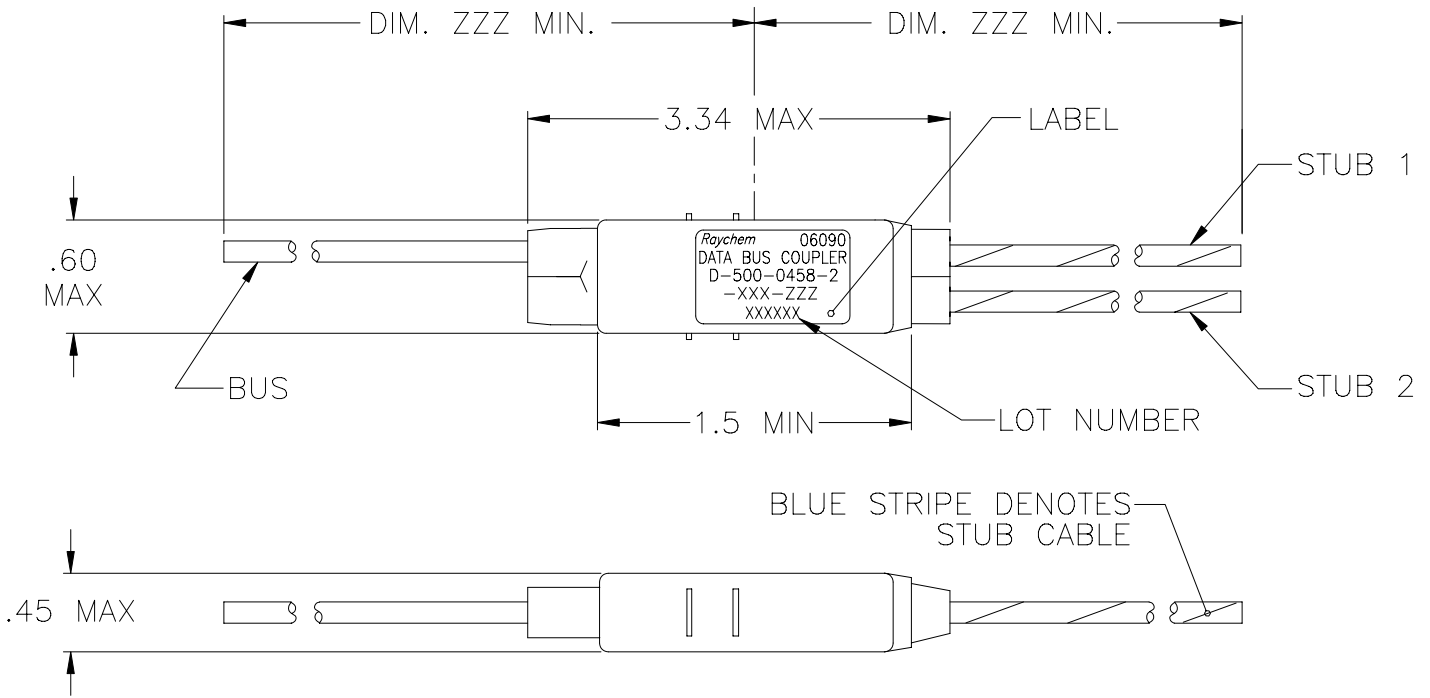


REVISION		
REV	DESCRIPTION	DATE
D	REVISED PER DCR NUMBER T31573	6/12/03



COMPONENT NUMBER	BUS CABLE	STUB CABLE
D-500-0458-2-612-ZZZ	10612-24-9	10612-24-96
D-500-0458-2-613-ZZZ	10613-24-9	10613-24-96
D-500-0458-2-614-ZZZ	10614-24-9	10614-24-96

PART NO. D-500-0458-2-XXX-ZZZ

CONFIGURATION

8=REVERSE WITH INTERNAL BUS TERMINATOR

2=DOUBLE STUB

LENGTH OF CABLE (INCHES)

CABLE TYPE

612=10612
613=10613
614=10614

SPECIFICATION CONTROL DRAWING

UNLESS OTHERWISE SPECIFIED DIMENSIONS ARE INCHES. METRIC DIMENSIONS ARE IN BRACKETS.

DECIMAL TOLERANCES
.XXX ± --- [--- mm]
.XX ± --- [--- mm]
.X ± --- [--- mm]

ANGLE TOLERANCE
.X ± ---

WEIGHT
SEE NOTES

CAD FILE
T31573A

DRAWN
ZET

DATE
10/24/97

MATERIAL

FINISH

THIRD ANGLE PROJECTION

tyco
Electronics

Tyco Electronics
300 CONSTITUTION DRIVE
MENLO PARK, CALIFORNIA 94025 USA

Raychem

TITLE
DATABUS MICROCOUPLER
TWO STUB IN-LINE, REVERSE
WITH INTERNAL BUS TERMINATOR

SIZE
A

CODE IDENT. NO.
06090

DWG. NO.
D-500-0458-2-XXX-ZZZ

DO NOT SCALE THIS DRAWING

SHEET 1 OF 2

1. MATERIAL AND FINISHES:
 - 1.1 INTERNAL COMPONENTS:
 - 1.1.1 –TRANSFORMER TO MIL-PRF-21038 AND MIL-STD-1553B
 - 1.1.2 –RESISTORS, ISOLATION PER MIL-PRF-39007/9, 57.6 OHMS (R1)
 - 1.1.3 –RESISTORS, TERMINATION PER MIL-PRF-39007/9, 76.8 OHMS (R2)
 - 1.2 SHIELDED CASE: ALUMINUM PER ASTM-B618
 - 1.3 SEALED STRAIN RELIEF COVER: MODIFIED CROSS-LINKED ELASTOMER, BLACK, TO RAYCHEM SPECIFICATION RK-6713.
 - 1.4 CABLE TYPE PER RAYCHEM SPECIFICATION 1200 (SEE PART NO. ON SHEET 1).

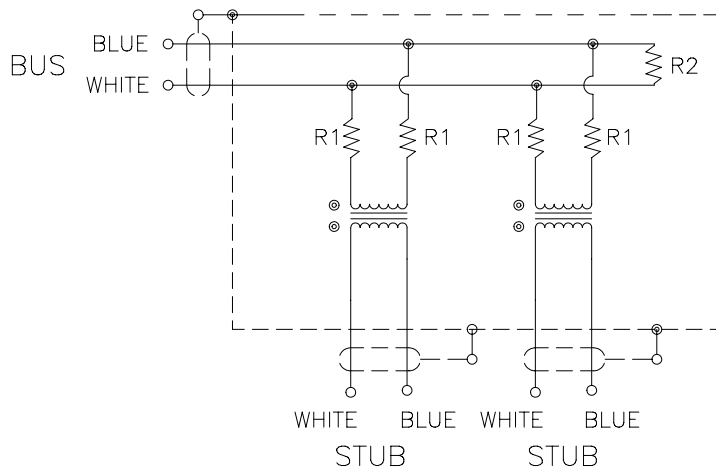
2. APPLICATION:
 - 2.1 THIS COUPLER IS DESIGNED TO BE INSTALLED AS A DIGITAL MULTIPLEX ASSEMBLY MEETING THE REQUIREMENTS OF MIL-STD-1553B.
 - 2.2 FOR CABLE SPLICING USE FLEXIBLE SPLICE KIT D-150-0708-5 (NOT SUPPLIED).
 - 2.3 CABLE BEND RADIUS PER SAE-AS50881 STATIC BEND: 5 x CABLE O.D. MIN.
DYNAMIC BEND: 10 x CABLE O.D. MIN.

3. TEMPERATURE:
 - 3.1 OPERATING TEMPERATURE: -65°C TO +150°C

4. PERFORMANCE SPECIFICATIONS:
 - 4.1 TRANSFORMER MEETS THE PERFORMANCE REQUIREMENTS OF MIL-STD-1553B.
 - 4.2 COUPLER MEETS THE PERFORMANCE REQUIREMENTS OF RAYCHEM SPECIFICATION D-6020.

5. WEIGHT:
 - 5.1 MAXIMUM WEIGHT WITHOUT CABLE: 15 GRAMS MAX.

TWO STUB COUPLER SCHEMATIC



SPECIFICATION CONTROL DRAWING

DRAWN	ZET	DATE	10/27/97	SIZE	CODE IDENT. NO.	DWG. NO.	REV
CAD FILE	T31573B	tyco Electronics		A	06090	D-500-0458-2-XXX-ZZZ	D
DO NOT SCALE THIS DRAWING						SHEET 2 OF 2	