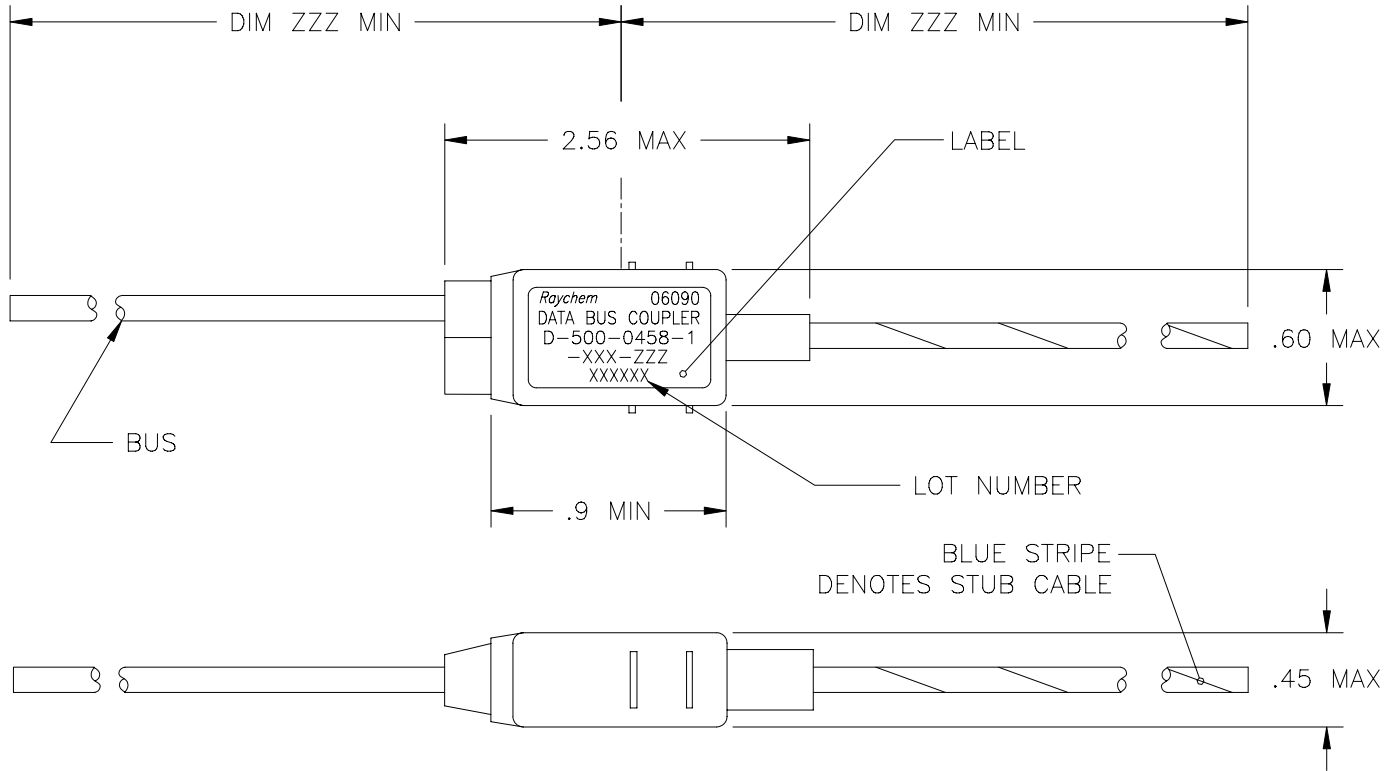


REVISION		
REV	DESCRIPTION	DATE
B	REVISED PER DCR NUMBER T31572	6/12/03



COMPONENT NUMBER	BUS CABLE	STUB CABLE
D-500-0458-1-612-ZZZ	10612-24-9	10612-24-96
D-500-0458-1-613-ZZZ	10613-24-9	10613-24-96
D-500-0458-1-614-ZZZ	10614-24-9	10614-24-96

PART NO. D-500-045X-1-XXX-ZZZ

SCHEMATIC ————

8=INTERNAL TERMINATOR (AS SHOWN)  
REVERSE CONFIGURATION

1=SINGLE STUB ————

LENGTH OF CABLE (INCHES)

CABLE  
612=10612  
613=10613  
614=10614

SPECIFICATION CONTROL DRAWING

UNLESS OTHERWISE SPECIFIED DIMENSIONS ARE INCHES. METRIC DIMENSIONS ARE IN BRACKETS.  DECIMAL TOLERANCES .XXX ± --- [ --- mm] .XX ± --- [ --- mm] .X ± --- [ --- mm]  ANGLE TOLERANCE .X ± ---  WEIGHT SEE NOTES	DRAWN Z.Teman	DATE 4/15/97		Tyco Electronics 300 CONSTITUTION DRIVE MENLO PARK, CALIFORNIA 94025 USA	Raychem
	MATERIAL 		TITLE DATABUS MICROCOUPLER SINGLE STUB IN-LINE, 04 SERIES, REVERSE WITH INTERNAL BUS TERMINATOR		
FINISH 		THIRD ANGLE PROJECTION 	SIZE A	CODE IDENT. NO. 06090	DWG. NO. D-500-0458-1-XXX-ZZZ
CAD FILE T31572A		DO NOT SCALE THIS DRAWING			SHEET 1 OF 2

1. MATERIAL AND FINISHES:1.1 INTERNAL COMPONENTS:

- 1.1.1 -TRANSFORMER TO MIL-PRF-21038 AND MIL-STD-1553B
- 1.1.2 -RESISTORS, ISOLATION PER MIL-PRF-39007/9, 57.6 OHMS (R1)
- 1.1.3 -RESISTORS, TERMINATION PER MIL-PRF-39007/9, 76.8 OHMS (R2)
- 1.2 SHIELDED CASE: ALUMINUM PER ASTM-B618
- 1.3 SEALED STRAIN RELIEF COVER: MODIFIED CROSS-LINKED ELASTOMER, BLACK, TO RAYCHEM SPECIFICATION RK-6713.
- 1.4 CABLE TYPE PER RAYCHEM SPECIFICATION 1200 (SEE PART NO. ON SHEET 1).

2. APPLICATION:

- 2.1 THIS COUPLER IS DESIGNED TO BE INSTALLED AS A DIGITAL MULTIPLEX ASSEMBLY MEETING THE REQUIREMENTS OF MIL-STD-1553B.
- 2.2 FOR CABLE SPLICING USE FLEXIBLE SPLICE KIT D-150-0708-5 (NOT SUPPLIED).
- 2.3 CABLE BEND RADIUS PER SAE-AS50881 STATIC BEND: 5 x CABLE O.D. MIN.  
DYNAMIC BEND: 10 x CABLE O.D. MIN.

3. TEMPERATURE:

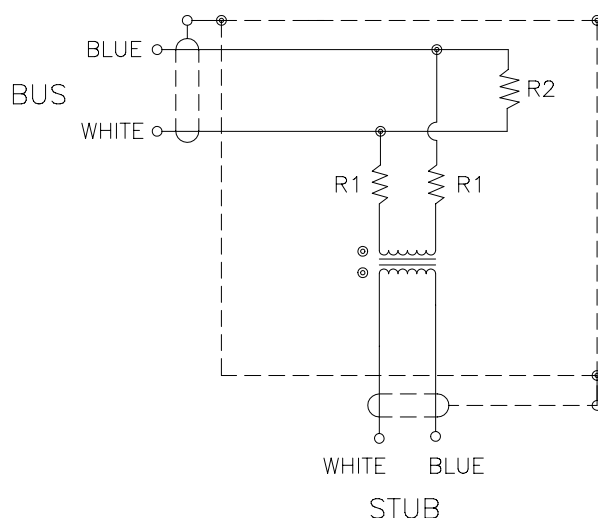
- 3.1 OPERATING TEMPERATURE: -65°C TO +150°C

4. PERFORMANCE SPECIFICATIONS:

- 4.1 TRANSFORMER MEETS THE PERFORMANCE REQUIREMENTS OF MIL-STD-1553B.
- 4.2 COUPLER MEETS THE PERFORMANCE REQUIREMENTS OF RAYCHEM SPECIFICATION D-6020.

5. WEIGHT:

- 5.1 MAXIMUM WEIGHT WITHOUT CABLE: 10 GRAMS MAX.

ONE STUB COUPLER SCHEMATIC

## SPECIFICATION CONTROL DRAWING

DRAWN ZET	DATE 4/15/97	SIZE A	CODE IDENT. NO. 06090	DWG. NO. D-500-0458-1-XXX-ZZZ	REV B
CAD FILE T31572B	<b>tyco</b> <b>Electronics</b>		DO NOT SCALE THIS DRAWING		SHEET 2 OF 2