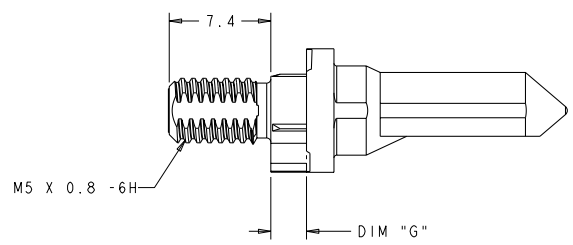
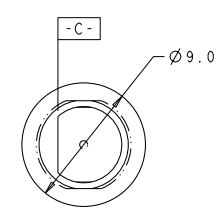
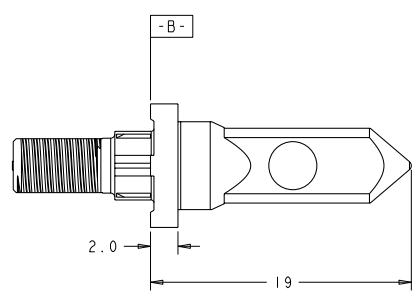
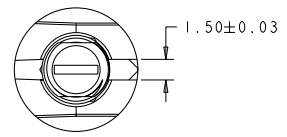


LOC		DIST		REVISIONS			
P	LYR	REV	DESCRIPTION	DATE	BY	CHKD	APPR
A		REV PER ECO-09-022892		21OCT2009	BC	RP	



- ⚠ KEY HOLE ORIENTATION (DIM A) PER MATING GUIDE MODULE PART NUMBER TABLE (ORIENTATION SHOWN ON PCB LAYOUT IS FOR 1-1469492-2).
- ⚠ ANNULAR RING PLATED AROUND GUIDE PIN MOUNTING HOLE ON TOP AND BOTTOM SIDE OF BOARD.
- ⚠ FINISH:
3.81 μm MINIMUM SILVER IN CONTACT AREA OVER NICKEL OVER COPPER ALL OVER.



⚠	5.70	1-1410999-4
⚠	4.20	1-1410999-3
⚠	2.60	1-1410999-2
FINISH		PART NUMBER
DIM "G"		

DIMENSIONS: mm		TO: B. CARRO 22AUG2006 FROM: G. GRIFFITH 22AUG2006 APPROV: G. GRIFFITH 22AUG2006		Tyco Electronics Harrisburg, PA 17105-3608	
DIMENSIONS: 0 PLC 20.5 1 PLC 20.13 2 PLC 20.013 3 PLC 20.013 4 PLC 20.013 ANGLES 20.013		PRODUCT SPEC 108-2072 APPLICATION SPEC 114-13056		NAME KEYED GUIDE PIN, DIE CAST BACKPLANE CONNECTOR, MULTITIG, THREADED POST	
MATERIAL FINISH		WEIGHT CUSTOMER DRAWING		SHEET CASE CODE DRAWING NO A2 00779 1410999	
				RESTRICTED TO SCALE 5:1 SHEET 1 OF 2 REV A	

4

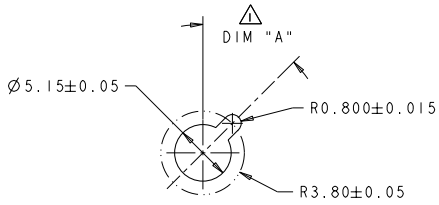
3

2

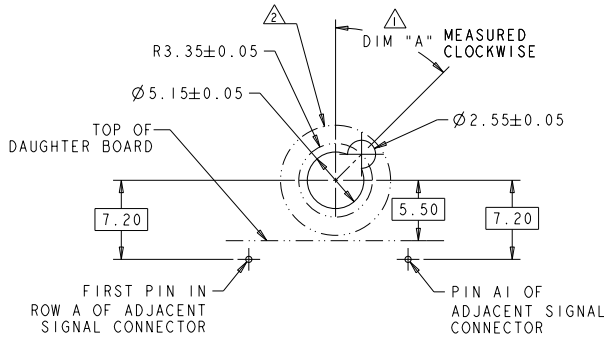
1

THIS DRAWING IS UNPUBLISHED. RELEASED FOR PUBLICATION
 BY TYCO ELECTRONICS CORPORATION. ALL RIGHTS RESERVED.

LOC	DIST	REVISIONS				
CG	00	P	LY	DATE	BY	APPR
		-	SEE SHEET 1	-	-	-



ALTERNATE PCB LAYOUT FOR GUIDE POST
 SCALE 4:1



TIER 2
 GUIDE PIN FOOTPRINT
 (20.3mm SIGNAL MODULES)
 SCALE 4:1

3	-	1-1469492-9
3	315°	1-1469492-8
3	270°	1-1469492-7
3	90°	1-1469492-3
3	45°	1-1469492-2
3	0°	1-1469492-1
FINISH	DIM "A"	20.3mm GUIDE MODULE
		MATING GUIDE MODULE

DIMENSIONS:		TO DRAWING REVISED:		DATE	BY	APP'D	DATE	BY	APP'D
mm		0	PLC	22AUG2006	B. CARRO		22AUG2006	G. GRIFFITH	
		1	PLC						
		2	PLC						
		3	PLC						
		4	PLC						
		5	PLC						
		6	PLC						
		7	PLC						
		8	PLC						
		9	PLC						
		10	PLC						
		11	PLC						
		12	PLC						
		13	PLC						
		14	PLC						
		15	PLC						
		16	PLC						
		17	PLC						
		18	PLC						
		19	PLC						
		20	PLC						
		21	PLC						
		22	PLC						
		23	PLC						
		24	PLC						
		25	PLC						
		26	PLC						
		27	PLC						
		28	PLC						
		29	PLC						
		30	PLC						
		31	PLC						
		32	PLC						
		33	PLC						
		34	PLC						
		35	PLC						
		36	PLC						
		37	PLC						
		38	PLC						
		39	PLC						
		40	PLC						
		41	PLC						
		42	PLC						
		43	PLC						
		44	PLC						
		45	PLC						
		46	PLC						
		47	PLC						
		48	PLC						
		49	PLC						
		50	PLC						
		51	PLC						
		52	PLC						
		53	PLC						
		54	PLC						
		55	PLC						
		56	PLC						
		57	PLC						
		58	PLC						
		59	PLC						
		60	PLC						
		61	PLC						
		62	PLC						
		63	PLC						
		64	PLC						
		65	PLC						
		66	PLC						
		67	PLC						
		68	PLC						
		69	PLC						
		70	PLC						
		71	PLC						
		72	PLC						
		73	PLC						
		74	PLC						
		75	PLC						
		76	PLC						
		77	PLC						
		78	PLC						
		79	PLC						
		80	PLC						
		81	PLC						
		82	PLC						
		83	PLC						
		84	PLC						
		85	PLC						
		86	PLC						
		87	PLC						
		88	PLC						
		89	PLC						
		90	PLC						
		91	PLC						
		92	PLC						
		93	PLC						
		94	PLC						
		95	PLC						
		96	PLC						
		97	PLC						
		98	PLC						
		99	PLC						
		100	PLC						