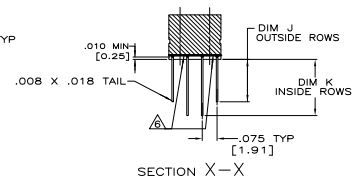
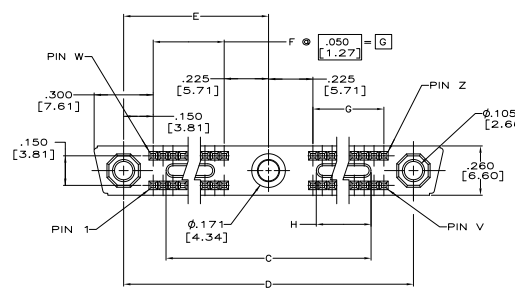
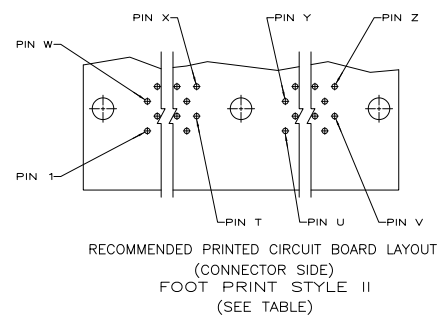
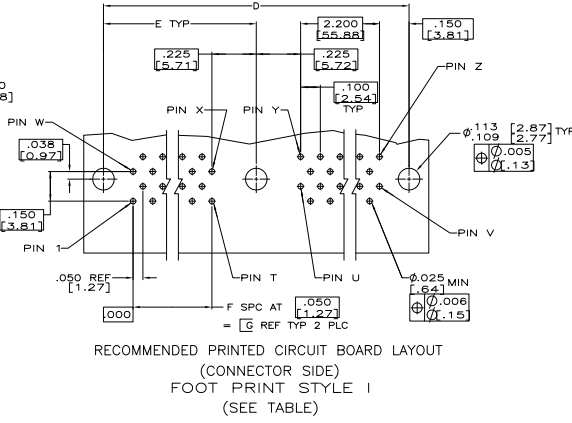
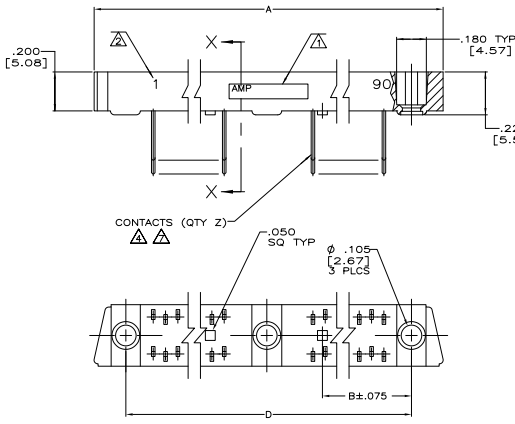


| REV | DATE | DESCRIPTION | BY | CHK |
|-----|------|-------------|----|-----|
| 1 | | | | |
| 2 | | | | |
| 3 | | | | |
| 4 | | | | |
| 5 | | | | |
| 6 | | | | |
| 7 | | | | |
| 8 | | | | |



- AMP, AMP PART NO. AND DATE CODE MARKED IN THIS APPROXIMATE AREA.
- NUMBERS INDICATING END POSITIONS MARKED THIS SIDE ONLY.
- MEETS ALL APPLICABLE REQUIREMENTS OF MIL-C-55302.
- FINISH: .00050[0.0012] GOLD PER MIL-G-45204 OVER NICKEL PER QQ-N-290 IN CONTACT AREA. REMAINDER OF CONTACT TIN-LEAD OVER NICKEL.
- HOUSING MATERIAL: LIQUID CRYSTAL POLYMER PER MIL-M-24519, GLCP-30F; COLOR: GRAY.
- EPOXY IS ADDED TO BOTTOM OF HOUSING FOR INCREASED CONTACT RETENTION.
- CONTACT MATERIAL: PHOS BRONZE PER QQ-B-750



| OBS | REMARKS | FOOT PRINT STYLE | Z | Y | X | W | V | U | T | CONTACT IDENT NUMBERS | K±.015 [±0.38] | J±.015 [±0.38] | H | G | F | E | D | C | B | A | NUMBER OF CONTACTS | PART NUMBER |
|-----|---------|------------------|-----|-----|-----|-----|-----|----|----|-----------------------|----------------|----------------|---------------|---------------|----|---------------|----------------|----------------|---------------|----------------|--------------------|-------------|
| 1 | | I I | 160 | 121 | 120 | 81 | 80 | 41 | 40 | 1 & 80 | .190 [4.83] | .140 [3.56] | 1.800 [45.72] | 1.950 [49.53] | 39 | 2.325 [59.06] | 4.650 [118.11] | 4.200 [106.68] | 1.162 [29.51] | 4.950 [125.73] | 160 | 534179-9 |
| 2 | | I I | 200 | 151 | 150 | 101 | 100 | 51 | 50 | 1 & 100 | .300 [7.62] | .230 [5.84] | 2.300 [58.42] | 2.450 [62.23] | 49 | 2.825 [71.76] | 5.650 [143.51] | 5.200 [132.08] | 1.413 [35.89] | 5.950 [151.13] | 200 | 534179-8 |
| 3 | | I I | 192 | 145 | 144 | 97 | 96 | 49 | 48 | 1 & 96 | .300 [7.62] | .230 [5.84] | 2.200 [55.88] | 2.350 [59.69] | 47 | 2.725 [69.22] | 5.450 [138.43] | 5.000 [127.00] | 1.362 [34.59] | 5.750 [146.05] | 192 | 534179-7 |
| 4 | | I | 180 | 136 | 135 | 91 | 90 | 46 | 45 | 1 & 90 | .300 [7.62] | .230 [5.84] | 2.050 [52.07] | 2.200 [55.88] | 44 | 2.575 [65.41] | 5.150 [130.81] | 4.700 [119.38] | 1.287 [32.69] | 5.450 [138.43] | 180 | 534179-6 |
| 5 | | I | 172 | 130 | 129 | 87 | 86 | 44 | 43 | 1 & 86 | .300 [7.62] | .230 [5.84] | 1.950 [49.53] | 2.100 [53.34] | 42 | 2.475 [62.87] | 4.950 [125.73] | 4.500 [114.30] | 1.237 [31.42] | 5.250 [133.35] | 172 | 534179-5 |
| 6 | | I I | 160 | 121 | 120 | 81 | 80 | 41 | 40 | 1 & 80 | .300 [7.62] | .230 [5.84] | 1.800 [45.72] | 1.950 [49.53] | 39 | 2.325 [59.06] | 4.650 [118.11] | 4.200 [106.68] | 1.162 [29.51] | 4.950 [125.73] | 160 | 534179-4 |
| 7 | | I I | 152 | 115 | 114 | 77 | 76 | 39 | 38 | 1 & 76 | .300 [7.62] | .230 [5.84] | 1.700 [43.18] | 1.850 [46.99] | 37 | 2.225 [56.52] | 4.450 [113.03] | 4.000 [101.60] | 1.062 [26.97] | 4.750 [120.65] | 152 | 534179-3 |
| 8 | | I | 140 | 106 | 105 | 71 | 70 | 36 | 35 | 1 & 70 | .300 [7.62] | .230 [5.84] | 1.550 [39.37] | 1.700 [43.18] | 34 | 2.075 [52.71] | 4.150 [105.41] | 3.700 [93.98] | 1.037 [26.34] | 4.450 [113.03] | 140 | 534179-2 |
| 9 | | I | 132 | 100 | 99 | 67 | 66 | 34 | 33 | 1 & 66 | .300 [7.62] | .230 [5.84] | 1.450 [36.83] | 1.600 [40.64] | 32 | 1.975 [50.17] | 3.950 [100.33] | 3.500 [88.90] | .987 [25.07] | 4.250 [107.95] | 132 | 534179-1 |

THIS DRAWING IS A CONTROLLED DOCUMENT. DATE: 10/03/99 BY: JES/ELC

DESIGNED BY: JES/ELC
 CHECKED BY: JES/ELC
 DRAWN BY: JES/ELC
 APPROVED BY: JES/ELC

RECEPTACLE ASSEMBLY, EXTENDED MINI-BOX WITH LOW FORCE CONTACTS, SPECIAL

CUSTOMER DRAWING: A100779G-534179

DATE: 10/03/99