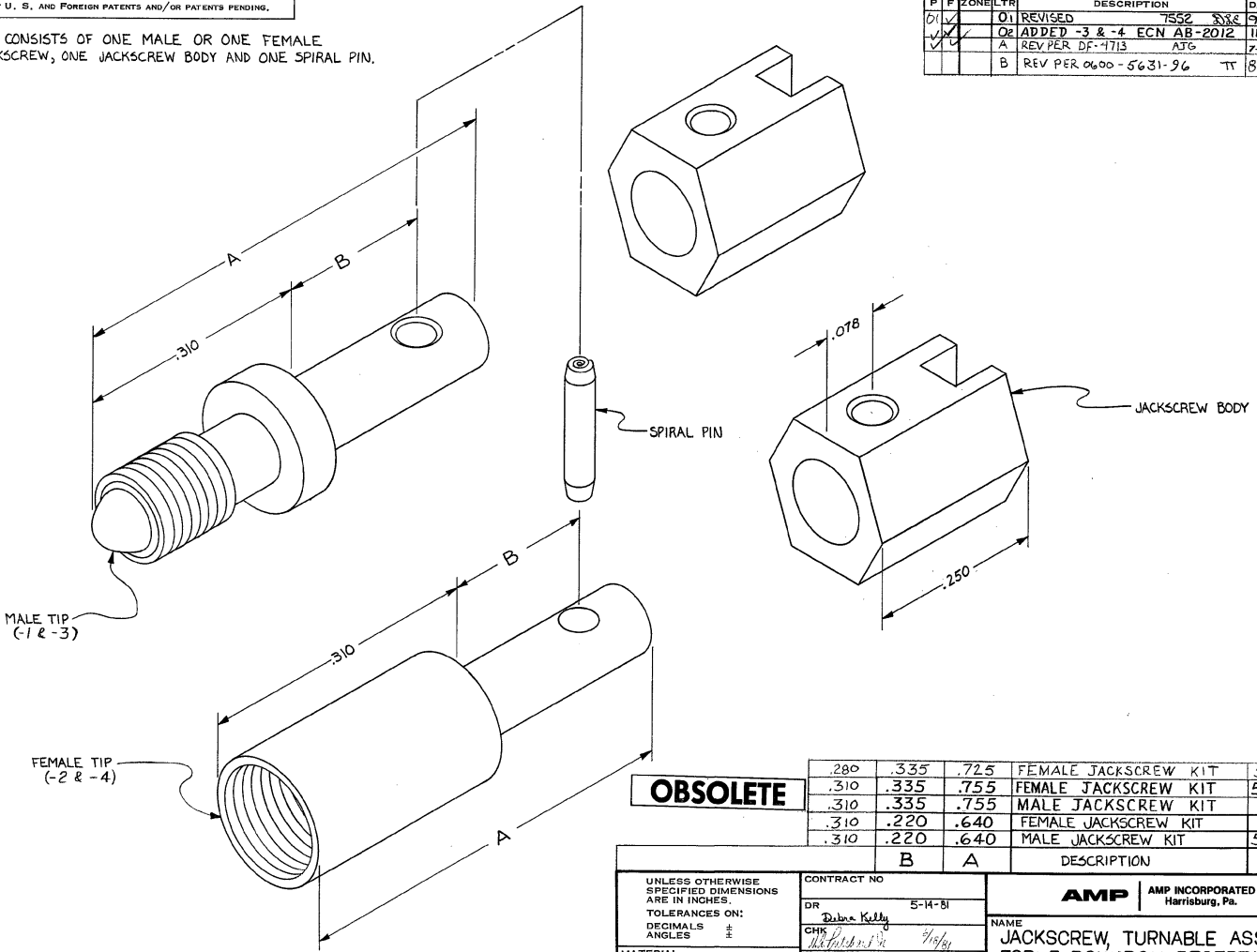


DRAWING MADE IN THIRD ANGLE PROJECTION

© COPYRIGHT 1981 BY AMP INCORPORATED, HARRISBURG, PA.
ALL INTERNATIONAL RIGHTS RESERVED. AMP INCORPORATED PRODUCTS
COVERED BY U. S. AND FOREIGN PATENTS AND/OR PATENTS PENDING.

1. KIT CONSISTS OF ONE MALE OR ONE FEMALE
JACKSCREW, ONE JACKSCREW BODY AND ONE SPIRAL PIN.



		REVISIONS				
P	F	ZONE	LTR	DESCRIPTION	DATE	APPROVED
01	✓			REVISED	7552	SJS 9-81
02	✓			ADDED -3 & -4 ECN AB-2012		11-86 WJ EAM
03	✓			REV PER DF-1713	ATG	7-81 JG
04	✓			REV PER 0600-5631-96	TT	8-88 JG

OBSELETE

.280	.335	.725	FEMALE JACKSCREW KIT	532021-5
.310	.335	.755	FEMALE JACKSCREW KIT	532021-4
.310	.335	.755	MALE JACKSCREW KIT	-3
.310	.220	.640	FEMALE JACKSCREW KIT	-2
.310	.220	.640	MALE JACKSCREW KIT	532021-1

		B	A	DESCRIPTION	PART NO
UNLESS OTHERWISE SPECIFIED DIMENSIONS ARE IN INCHES.		AMP AMP INCORPORATED Harrisburg, Pa.			
TOLERANCES ON: DECIMALS ± ANGLES ±					
MATERIAL		CONTRACT NO		NAME	
STAINLESS STEEL		DR 5-14-81		JACKSCREW, TURNABLE ASSY, FOR 3 ROW BOX RECEPTACLE CONNECTOR	
FINISH		CHK Debra Kelly		SIZE CODE IDENT NO DRAWING NO	
PASSIVATED		APPD E.T. Parsons 6-18-81		C 00779 532021	
		DSGN APPD		SCALE 10:1	
		OTHER APPD		SHEET of 1	

CUSTOMER DRAWING