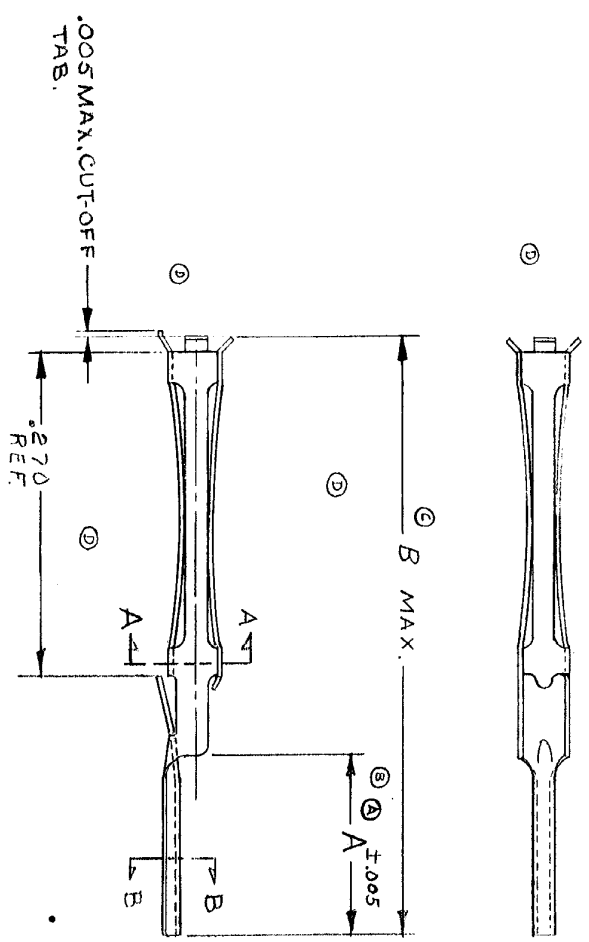


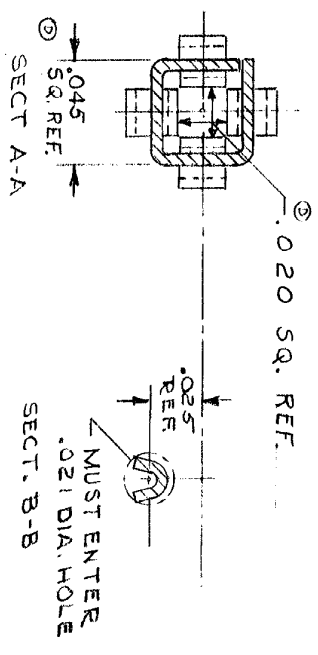
© AMP INCORPORATED. ALL RIGHTS RESERVED. AMP PRODUCTS COVERED BY PATENTS AND/OR PATENTS PENDING.

NUMBER 202946



FINISH : .000050 GOLD IN CONTACT AREA, TIN-LEAD TAILS, NICKEL UNDERPLATE ALL OVER.

ZONE	LTB	REVISIONS	DATE	APPROVED
A	REVISED PER ECN	1544	11-1-67	RM.S. 3.8
B	REVISED PER ECN	2025	2-19-64	RM.S. 5.2
C	REVISED PER ECN	2129	6-25-64	RM.S. 1.2
D	REVISED PER ECN	2913	3-9-71	RM.S. 1.4
D1	ADDED -3 WAS 2057-567-1455	3247	11-11-71	RM.S. 2.4
D2	ADD ED -4	4701	8-30-76	RM.S. DR.
E	REVISED FINISH -1-2	7226	2-26-81	R-20
E1	ADDED -5	7879	3-6-82	AMP



PART NO.	OTHERWISE SPECIFIED TOLERANCES ON DECIMALS	UNLESS OTHERWISE SPECIFIED TOLERANCES ON ANGLES	CONTRACT NO.	DATE	REVISIONS	DATE	APPROVED
202946-5	.249	.619	3-24-66				
202946-4	.249	.619					
202946-3	.170	.540					
202946-2	.249	.619					
202946-1	.170	.540					

MATERIAL: BERYLLIUM COPPER

OTHERWISE SPECIFIED TOLERANCES ON DECIMALS: .0005 ANGLES:  $\pm$

CONTRACT NO.: 3-24-66

DATE: 11/1/67

AMP INFO  
SEE NOTE 1

AMP INCORPORATED  
HARRISBURG, PENNSYLVANIA

SNAP-IN BOX CONTACT

COOK IDENT NO. 00779  
NUMBER 202946

AMP 1470-1 (11/64) 5 4 2 1

CUSTOMER DRAWING