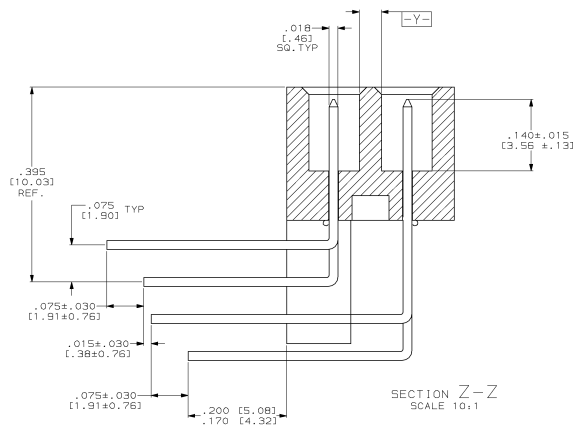
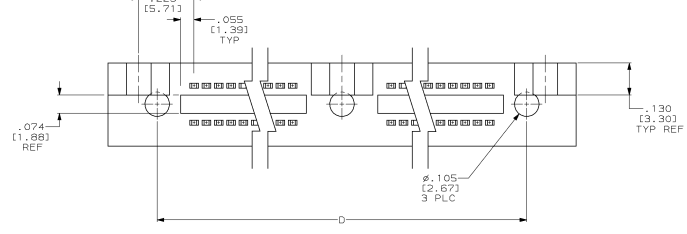
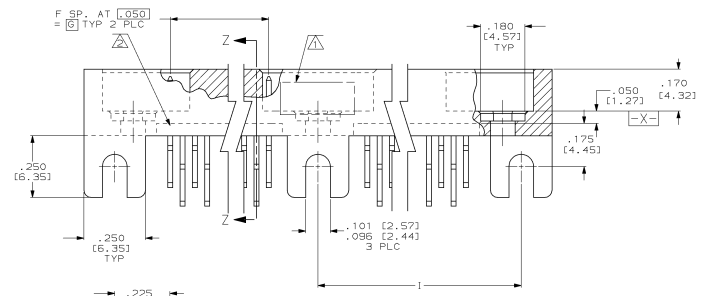
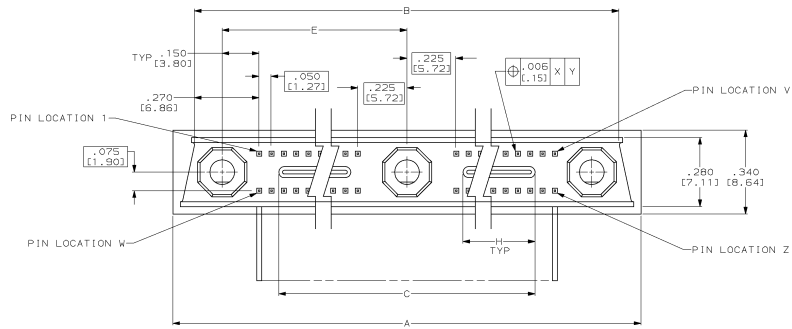


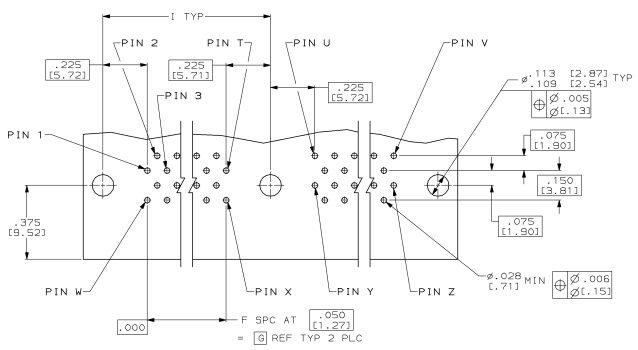
THIS DRAWING IS UNCLASSIFIED
 EXCEPT FOR PORTION
 OF COPYRIGHT © AMP INCORPORATED. ALL RIGHTS RESERVED.

REV	DATE	BY	CHKD	APP'D	REVISIONS	
					DESCRIPTION	DATE
K	REV PER 0600-2031-94	TA	9-20-94	TA	DG	
L	REV PER 0600-2077-94	TA	9-20-94	TA	DG	
M	REV PER 0600-2376-94	TA	9-20-94	TA	DG	
N	REV PER 0600-2586-94	TA	9-22-94	TA	DG	
P	REV PER 0600-3596-95	TA	5-4-95	TA	DG	
R	REV PER 0600-3893-95	TA	10-18-95	TA	DG	

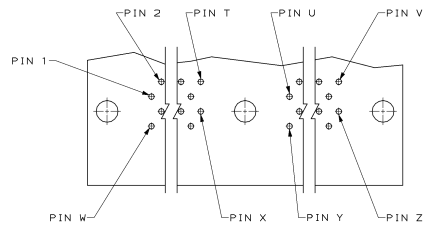


10 (SEE DRAWING FOR DIMENSIONS) DIMENSIONS IN MILLIMETERS		11 ALEXANDER 91611 12 GUTIER 93011 13 GUTIER 93011 14 GUTIER 93011 15 GUTIER 93011	AMP AMP Incorporated Harrisburg, PA 17105-3606
16 10 (SEE DRAWING FOR DIMENSIONS) DIMENSIONS IN MILLIMETERS	17 10 (SEE DRAWING FOR DIMENSIONS) DIMENSIONS IN MILLIMETERS	18 10 (SEE DRAWING FOR DIMENSIONS) DIMENSIONS IN MILLIMETERS	PIN HEADER ASSEMBLY, EXTENDED MINI-BOX, RIGHT ANGLE
19 10 (SEE DRAWING FOR DIMENSIONS) DIMENSIONS IN MILLIMETERS	20 10 (SEE DRAWING FOR DIMENSIONS) DIMENSIONS IN MILLIMETERS	21 10 (SEE DRAWING FOR DIMENSIONS) DIMENSIONS IN MILLIMETERS	22 10 (SEE DRAWING FOR DIMENSIONS) DIMENSIONS IN MILLIMETERS
23 10 (SEE DRAWING FOR DIMENSIONS) DIMENSIONS IN MILLIMETERS	24 10 (SEE DRAWING FOR DIMENSIONS) DIMENSIONS IN MILLIMETERS	25 10 (SEE DRAWING FOR DIMENSIONS) DIMENSIONS IN MILLIMETERS	26 10 (SEE DRAWING FOR DIMENSIONS) DIMENSIONS IN MILLIMETERS

- △ "AMP", PART NUMBER & DATE CODE MARKED IN THIS APPROX. AREA OPPOSITE SIDE.
- △ NUMBERS INDICATING END POSITIONS MARKED OPPOSITE SIDE ONLY.
- 3. MEETS ALL APPLICABLE REQUIREMENTS OF MIL-C-55302.
- △ FINISH: .000050 GOLD IN CONTACT AREA. TIN-LEAD ON CONTACT TAILS, ALL OVER NICKEL UNDERPLATE.
- △ HOUSING MATERIAL: LIQUID-CRYSTAL POLYMER PER MIL-H-24519; GLCP-30F; COLOR: GRAY.
- 6. DIMENSIONS IN BRACKETS ARE IN MILLIMETERS. METRIC EQUIVALENTS ARE BASED UPON 1.00 INCH = 25.4 MM.
- △ CONTACT MATERIAL: BRASS.



RECOMMENDED PRINTED CIRCUIT BOARD LAYOUT
 (CONNECTOR SIDE)
 FOOT PRINT STYLE I
 (SEE TABLE)



RECOMMENDED PRINTED CIRCUIT BOARD LAYOUT
 (CONNECTOR SIDE)
 FOOT PRINT STYLE II
 (SEE TABLE)

11	200	151	150	101	100	51	50	1 & 100	2.900 (73.66)	2.290 (58.17)	2.450 (62.23)	49	2.825 (71.76)	5.650 (143.51)	5.190 (131.83)	5.890 (149.51)	6.050 (153.67)	200	534688-8
11	192	145	144	97	96	49	48	1 & 96	2.800 (71.12)	2.190 (55.63)	2.350 (59.69)	47	2.725 (69.22)	5.450 (138.43)	4.990 (126.75)	5.690 (144.53)	5.850 (148.59)	192	534688-7
1	172	130	129	87	86	44	43	1 & 86	2.550 (64.77)	1.940 (49.28)	2.100 (53.34)	42	2.475 (62.87)	4.950 (125.73)	4.490 (114.05)	5.190 (131.83)	5.350 (135.89)	172	534688-6
11	160	121	120	81	80	41	40	1 & 80	2.400 (60.96)	1.790 (45.47)	1.950 (49.53)	39	2.325 (59.06)	4.650 (118.11)	4.190 (106.43)	4.890 (124.21)	5.050 (128.27)	160	534688-5
11	152	115	114	77	76	39	38	1 & 76	2.300 (58.42)	1.690 (42.93)	1.850 (46.99)	37	2.225 (56.52)	4.450 (113.03)	3.990 (101.35)	4.690 (119.13)	4.850 (123.19)	152	534688-4
1	140	106	105	71	70	36	35	1 & 70	2.150 (54.61)	1.540 (39.12)	1.700 (43.18)	34	2.075 (52.71)	4.150 (105.41)	3.690 (93.73)	4.390 (111.51)	4.550 (115.57)	140	534688-3
1	132	100	99	67	66	34	33	1 & 66	2.050 (52.07)	1.440 (36.58)	1.600 (40.64)	32	1.975 (50.17)	3.950 (100.33)	3.490 (88.63)	4.190 (106.43)	4.350 (110.49)	132	534688-2
1	180	136	135	91	90	46	45	1 & 90	2.650 (67.31)	2.040 (51.82)	2.200 (55.88)	44	2.575 (65.41)	5.150 (130.81)	4.690 (119.13)	5.390 (136.91)	5.550 (140.97)	180	534688-1
FOOT PRINT STYLE	Z	Y	X	W	V	U	T	CAVITY IDENT.	I	H	6	F	E	D	C	B	A	POSN.	PART NO.

DRAWN BY: ALEXANDER, B1614 BY: GUTTER, B3014 CHECKED BY: GUTTER, B3014 DATE: 4-11-80 PART: 534688-1 REV: 1	AMP AMP Incorporated Harrisburg, PA 17105-3608 PIN HEADER ASSEMBLY, EXTENDED MINI-BOX, RIGHT ANGLE	DATE CODE: A1 PART NO: 00779 CUSTOMER DRAWING
---	--	---