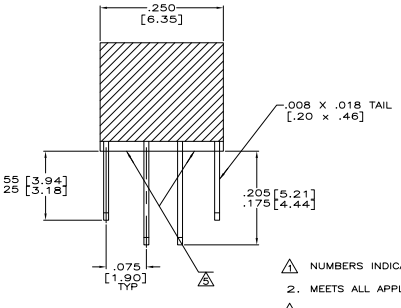
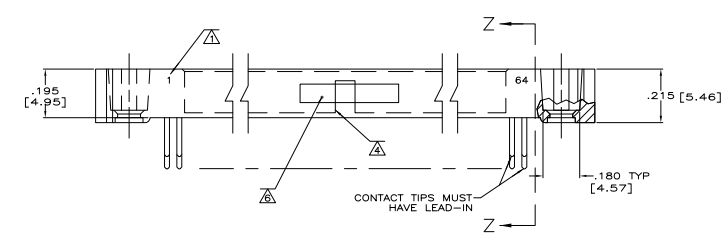
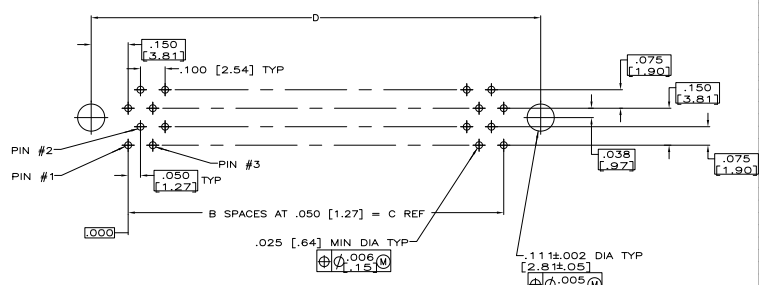
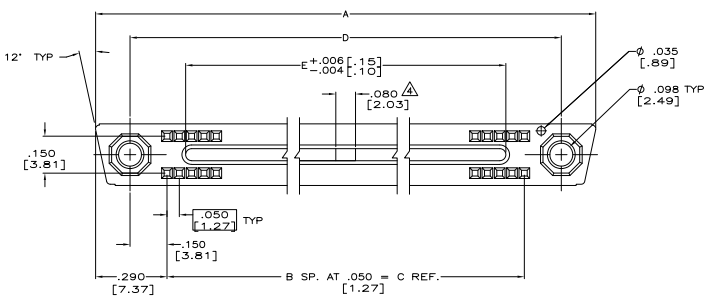


THIS DRAWING IS UNCLASSIFIED
 UNLESS INDICATED OTHERWISE
 ALL RIGHTS RESERVED

REV	DF	FO	DESCRIPTION	DATE	BY	APP
1	MT		REVISED PER EDD-11-005030	11MAR11	RK	HMR



- ▲ NUMBERS INDICATING END POSITIONS MARKED THIS SIDE ONLY.
- 2. MEETS ALL APPLICABLE REQUIREMENTS OF MIL-C-55302.
- ▲ HOUSING MATERIAL: LIQUID CRYSTAL POLYMER PER MIL-M-24519, GLCP-30F; COLOR: GRAY.
- ▲ EPOXY IS ADDED TO BOTTOM OF HOUSING FOR INCREASED CONTACT RETENTION.
- ▲ AMP, 00779, PART NO., MILITARY P/N AND DATE CODE MARKED IN THIS APPROXIMATE AREA.
- ▲ CONNECTOR HAS NO EPOXY ADDED FOR CONTACT RETENTION OR SEALING.

REMARKS	HSG MAT'L	MILITARY P/N	CAVITY ID	E	D	C	B	A	POSN.	
▲		M55302/119-11	1 - 64	3.000 [76.20]	3.450 [87.63]	3.150 [80.01]	63	3.740 [95.00]	128	2-530745-2
		M55302/119-10	1 - 55	2.550 [64.77]	3.000 [76.20]	2.700 [68.58]	54	3.290 [83.57]	110	2-530745-1
		M55302/119-09	1 - 50	2.300 [58.42]	2.750 [69.85]	2.450 [62.23]	49	3.040 [77.22]	100	2-530745-0
		M55302/119-08	1 - 45	2.050 [52.07]	2.500 [63.50]	2.200 [55.88]	44	2.790 [70.87]	90	1-530745-9
		M55302/119-07	1 - 40	1.800 [45.72]	2.250 [57.15]	1.950 [49.53]	39	2.540 [64.52]	80	1-530745-8
		M55302/119-06	1 - 35	1.550 [39.37]	2.000 [50.80]	1.700 [43.18]	34	2.290 [58.17]	70	1-530745-7
		M55302/119-05	1 - 30	1.300 [33.02]	1.750 [44.45]	1.450 [36.83]	29	2.040 [51.82]	60	1-530745-6
		M55302/119-04	1 - 25	1.050 [26.67]	1.500 [38.10]	1.200 [30.48]	24	1.790 [45.47]	50	1-530745-5
		M55302/119-03	1 - 20	.800 [20.32]	1.250 [31.75]	.950 [24.13]	19	1.540 [39.12]	40	1-530745-4
		M55302/119-02	1 - 15	.550 [13.97]	1.000 [25.40]	.700 [17.78]	14	1.290 [32.77]	30	1-530745-3
		M55302/119-01	1 - 10	.300 [7.62]	.750 [19.05]	.450 [11.43]	9	1.040 [26.42]	20	1-530745-2
		M55302/119-11	1 - 64	3.000 [76.20]	3.450 [87.63]	3.150 [80.01]	63	3.740 [95.00]	128	1-530745-1
		M55302/119-10	1 - 55	2.550 [64.77]	3.000 [76.20]	2.700 [68.58]	54	3.290 [83.57]	110	1-530745-0
		M55302/119-09	1 - 50	2.300 [58.42]	2.750 [69.85]	2.450 [62.23]	49	3.040 [77.22]	100	530745-9
		M55302/119-08	1 - 45	2.050 [52.07]	2.500 [63.50]	2.200 [55.88]	44	2.790 [70.87]	90	530745-8
		M55302/119-07	1 - 40	1.800 [45.72]	2.250 [57.15]	1.950 [49.53]	39	2.540 [64.52]	80	530745-7
		M55302/119-06	1 - 35	1.550 [39.37]	2.000 [50.80]	1.700 [43.18]	34	2.290 [58.17]	70	530745-6
		M55302/119-05	1 - 30	1.300 [33.02]	1.750 [44.45]	1.450 [36.83]	29	2.040 [51.82]	60	530745-5
		M55302/119-04	1 - 25	1.050 [26.67]	1.500 [38.10]	1.200 [30.48]	24	1.790 [45.47]	50	530745-4
		M55302/119-03	1 - 20	.800 [20.32]	1.250 [31.75]	.950 [24.13]	19	1.540 [39.12]	40	530745-3
		M55302/119-02	1 - 15	.550 [13.97]	1.000 [25.40]	.700 [17.78]	14	1.290 [32.77]	30	530745-2
		M55302/119-01	1 - 10	.300 [7.62]	.750 [19.05]	.450 [11.43]	9	1.040 [26.42]	20	530745-1

THIS DRAWING IS A CONTROLLED DOCUMENT. THE NEXT EDITION WILL BE IDENTIFIED BY A DATE AND A REVISION NUMBER.

TE Connectivity
 RECEPTACLE ASSY, MINI BOX
 MILITARY, WITH LOW FORCE CONTACTS

DATE: 11/03/09
 DRAWING NO: A100779G-530745
 CUSTOMER DRAWING