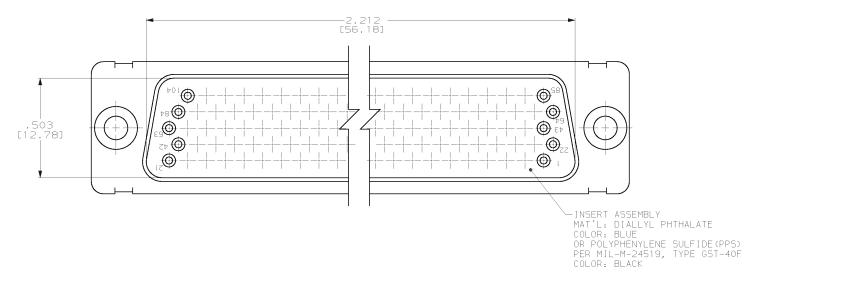
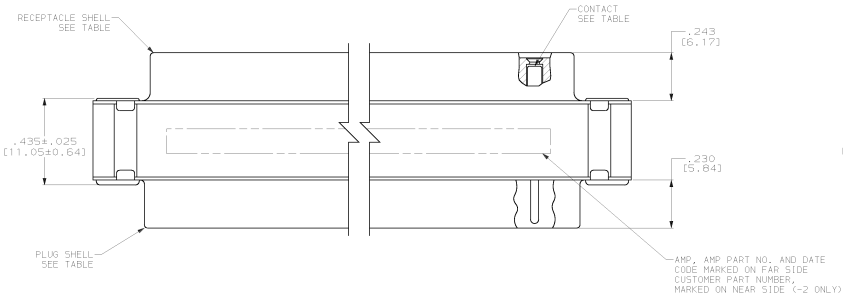
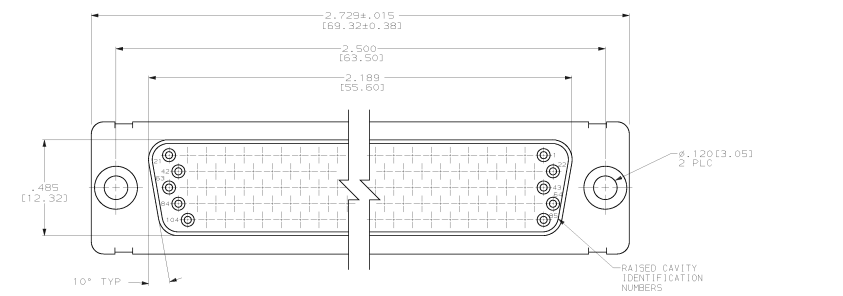
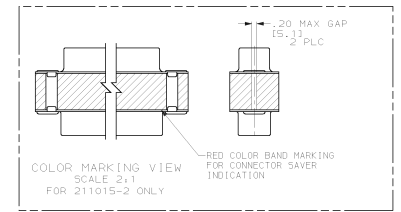
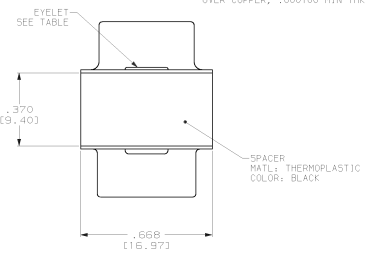


REV		DESCRIPTION		DATE	BY	CHK	APP
1	T	REV PER 0630-320-01		5-02	CT	DM	
U	U	REV PER 0630-0619-02		7-03	JMK	LO	



- CONTACTS INCLUDED IN ASSEMBLY.
- MAT'L: STEEL, PER ASTM-A-109.
- FINISH: CADMIUM PER 00-P-416.
- MAT'L: BRASS PER ASTM-B-36.
- FINISH: PLATED ZINC .00020 MIN THK PER ASTM-B-633. YELLOW CHROMATE FINISH.
- CONTACT
 BODY MAT'L: BERYLLIUM COPPER PER ASTM-B-197.
 BODY FINISH: PLATED GOLD, .000050 MIN THK PER MIL-C-45204 OVER NICKEL, .000050 MIN THK PER 00-N-290.
 HOOD MAT'L: STAINLESS STEEL PER ASTM-A-240.
 HOOD FINISH: PASSIVATED PER 00-P-35
- FINISH: PLATED GOLD, .000050 MIN THK PER MIL-G-45204 OVER COPPER FLASH
- FINISH: PLATED GOLD, .000050 MIN THK PER MIL-G-45204 OVER COPPER, .000100 MIN THK PER MIL-C-14550.
- CONTACT
 BODY MAT'L: BERYLLIUM COPPER PER ASTM-B-197.
 BODY FINISH: PLATED GOLD, .000050 MIN THK PER MIL-G-45204 OVER COPPER, .000100 MIN THK PER MIL-C-14550.
 HOOD MAT'L: COPPER ALLOY PER 00-B-613.
 FINISH: PLATED GOLD, .000050 MIN THK PER MIL-G-45204 OVER COPPER, .000100 MIN THK PER MIL-C-14550.



OBsolete	EYELET	SHELLS	CONTACT	CUSTOMER P/N	PART NO.
				4UBB4 SOCN B10002677-0111	211015-6
				2A091-006W-001	211015-5
				-	211015-4
				-	211015-3
				(1J02-111)	211015-2
				-	211015-1

THIS DRAWING IS A CONTROLLED DOCUMENT. © C. THOMAS 11/13/90

INCHES (MM)

AMMP Incorporated
 Harrisburg, PA 17105-3608

CONNECTOR SAVER, AMPLIMITE
 104 POSN., SIZE 6, SERIES 90

FILE ONE ONE DRAWING NO. 211015
 A1 00728

CUSTOMER DRAWING