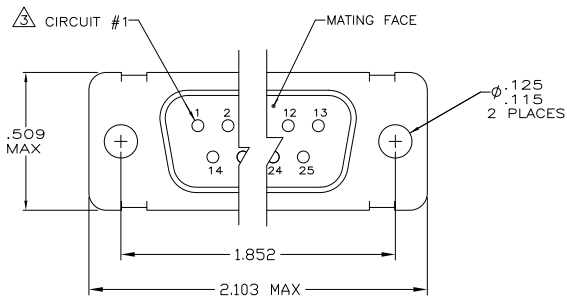
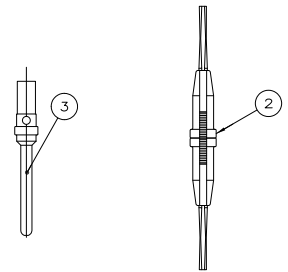
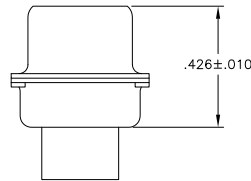
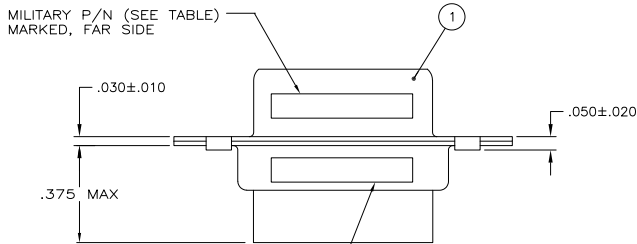


THIS DRAWING IS UNPUBLISHED. RELEASED FOR PUBLICATION. ALL RIGHTS RESERVED.

LOC	DIST	REVISIONS		
P	LTR	DESCRIPTION	DATE	BY
J1		REVISED PER ECO-11-005030	11MAR11	RK HMR



FOR CONNECTOR ASSEMBLIES, THE CONNECTIVITY CONTACT PART NOS. 205089-1 MUST BE ORDERED SEPARATELY. CONNECTORS WITH CONTACTS ARE SUPPLIED WITH CONTACT 205089-1



MFG'S NAME, BRAND OR LOGO AND DATE CODE MARKED, FAR SIDE

OBSELETE	205560-5	M24308/8-8F	205089-1	91067-2	205166-2	205560-5
SUPERSEDED BY 206800-2 AND 205089-1	205560-4	M24308/8-3F	205089-1	-	205166-2	205560-4
	205560-3	M24308/4-8F	205089-1	91067-2	205166-1	205560-3
	205560-2	M24308/4-3F	205089-1	-	205166-1	205560-2
SUPERSEDED BY 205166-1 AND 91067-2	205560-1	-	-	91067-2	205166-1	205560-1

P/N MARKED ON PACKAGE	MILITARY P/N MARKED ON PACKAGE	③ PIN CONTACT QTY. = 25	① INSERTION/EXTRACTION TOOL QTY. = 1	② PLUG ASSY QTY. = 1	PART NUMBER
-----------------------	--------------------------------	-------------------------	--------------------------------------	----------------------	-------------

THIS DRAWING IS A CONTROLLED DOCUMENT.

DESIGNED BY: P. YEAGER	DATE: 11MAR09	TE Connectivity
CHECKED BY: S. LEASE	DATE: 12MAR09	
APPROVED BY: S. LEASE	DATE: 12MAR09	
PRODUCT SPEC: -	APPLICATION SPEC: -	SIZE: A2
MATERIAL: -	FINISH: -	CAGE CODE: 00779
		DRAWING NO: C-205560
		SCALE: 4:1
		SHEET: 1 of 1
		REV: J1

CUSTOMER DRAWING