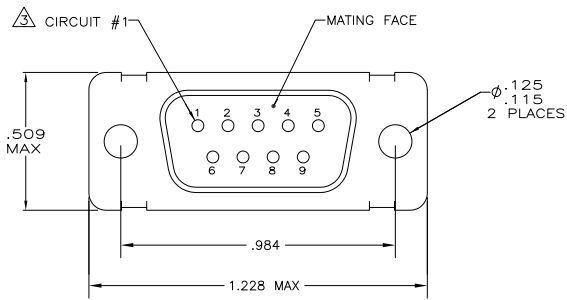
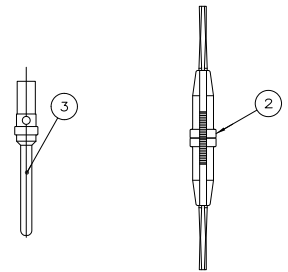
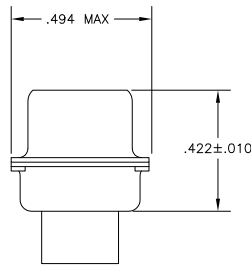
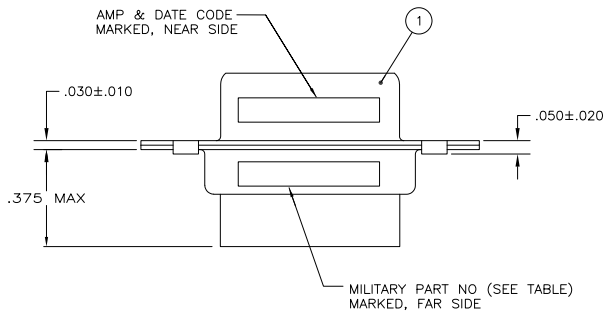


THIS DRAWING IS UNPUBLISHED. RELEASED FOR PUBLICATION. ALL RIGHTS RESERVED.

LOC	DIST	REVISIONS		
P	LR	DESCRIPTION	DATE	BY
G1		REVISED PER ECO-11-005030	11MAR11	RK HMR



⚠ FOR CONNECTOR ASSEMBLIES WITHOUT CONTACTS, TE CONNECTIVITY CONTACT PART NOS 205089-1 MUST BE ORDERED SEPARATELY. CONNECTORS WITH CONTACTS ARE SUPPLIED WITH CONTACT 205089-1



OBSOLETE	205556-3	M24308/8-6F	205089-1	91067-1	205162-2	205556-5
SUPERSEDED BY 207252-2 AND 205089-1	205556-3	M24308/8-1F	205089-1	-	205162-2	205556-4
	205556-3	M24308/4-6F	205089-1	91067-1	205162-1	205556-3
	205556-2	M24308/4-1F	205089-1	-	205162-1	205556-2
SUPERSEDED BY 205162-1 AND 91067-2	205556-1	-	-	91067-1	205162-1	205556-1

P/N MARKED ON PACKAGE	MILITARY P/N MARKED ON PACKAGE	③ PIN CONTACT QTY. = 9	⚠ INSERTION/EXTRACTION TOOL QTY. = 1	① PLUG ASSY QTY. = 1	PART NUMBER
-----------------------	--------------------------------	------------------------	--------------------------------------	----------------------	-------------

THIS DRAWING IS A CONTROLLED DOCUMENT.

DESIGNED BY: J. THOMPSON	DATE: 06-24-04
CHK: J. WYNKOOP	DATE: 06-17-04
APP'D: J. WYNKOOP	DATE: 06-17-04
PRODUCT SPEC:	NAME:
APPLICATION SPEC:	SIZE: A2
WEIGHT:	CAGE CODE: 00779
MATERIAL:	DRAWING NO: C-205556
FINISH:	RESTRICTED TO:

CUSTOMER DRAWING SCALE: 4:1 SHEET: 1 of 1 REV: G1