

SPANSION™ Flash Memory

Data Sheet



September 2003

This document specifies SPANSION™ memory products that are now offered by both Advanced Micro Devices and Fujitsu. Although the document is marked with the name of the company that originally developed the specification, these products will be offered to customers of both AMD and Fujitsu.

Continuity of Specifications

There is no change to this datasheet as a result of offering the device as a SPANSION™ product. Future routine revisions will occur when appropriate, and changes will be noted in a revision summary.

Continuity of Ordering Part Numbers

AMD and Fujitsu continue to support existing part numbers beginning with "Am" and "MBM". To order these products, please use only the Ordering Part Numbers listed in this document.

For More Information

Please contact your local AMD or Fujitsu sales office for additional information about SPANSION™ memory solutions.



FLASH MEMORY

CMOS

16M (2M × 8) BIT

MBM29F016A-70/-90/-12

■ GENERAL DESCRIPTION

The MBM29F016A is a 16 M-bit, 5.0 V-Only Flash memory organized as 2 M bytes of 8 bits each. The 2 M bytes of data is divided into 32 sectors of 64 K bytes for flexible erase capability. The 8 bit of data will appear on DQ₇ to DQ₀. The MBM29F016A is offered in a 48-pin TSOP(1) package. This device is designed to be programmed in-system with the standard system 5.0 V V_{CC} supply. A 12.0 V V_{PP} is not required for program or erase operations. The device can also be reprogrammed in standard EPROM programmers.

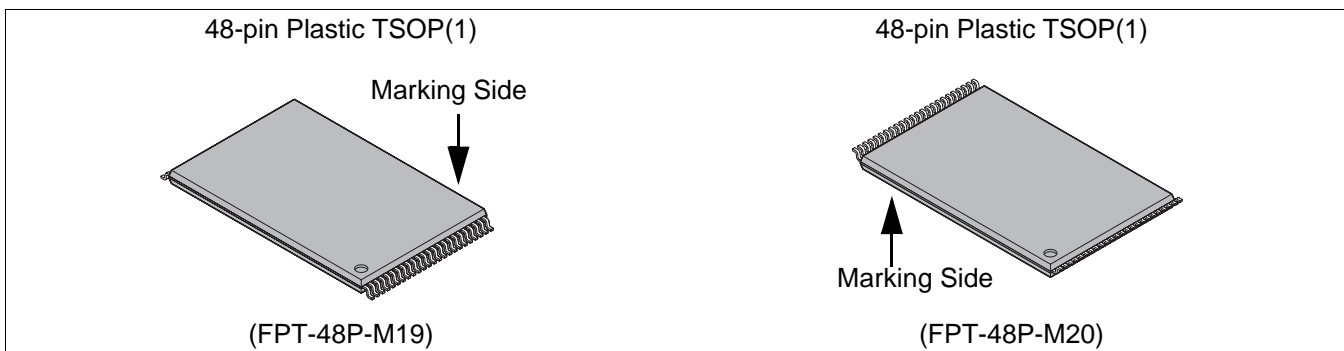
The standard MBM29F016A offers access times between 70 ns and 120 ns allowing operation of high-speed microprocessors without wait states. To eliminate bus contention the device has separate chip enable (\overline{CE}), write enable (\overline{WE}), and output enable (\overline{OE}) controls.

(Continued)

■ PRODUCT LINE UP

Part No.		MBM29F016A		
Ordering Part No.	V _{CC} = 5.0 V ±5%	-70	—	—
	V _{CC} = 5.0 V ±10%	—	-90	-12
Max Address Access Time (ns)		70	90	120
Max \overline{CE} Access Time (ns)		70	90	120
Max \overline{OE} Access Time (ns)		40	40	50

■ PACKAGES



(Continued)

The MBM29F016A is command set compatible with JEDEC standard E²PROMs. Commands are written to the command register using standard microprocessor write timings. Register contents serve as input to an internal state-machine which controls the erase and programming circuitry. Write cycles also internally latch addresses and data needed for the programming and erase operations. Reading data out of the device is similar to reading from 12.0 V Flash or EPROM devices.

The MBM29F016A is programmed by executing the program command sequence. This will invoke the Embedded Program Algorithm which is an internal algorithm that automatically times the program pulse widths and verifies proper cell margin. Each sector can be programmed and verified in less than 0.5 seconds. Erase is accomplished by executing the erase command sequence. This will invoke the Embedded Erase Algorithm which is an internal algorithm that automatically preprograms the array if it is not already programmed before executing the erase operation. During erase, the device automatically times the erase pulse widths and verifies proper cell margin.

This device also features a sector erase architecture. The sector erase mode allows for sectors of memory to be erased and reprogrammed without affecting other sectors. A sector is typically erased and verified within 1 second (if already completely preprogrammed). The MBM29F016A is erased when shipped from the factory.

The MBM29F016A device also features hardware sector group protection. This feature will disable both program and erase operations in any combination of eight sector groups of memory. A sector group consists of four adjacent sectors grouped in the following pattern: sectors 0-3, 4-7, 8-11, 12-15, 16-19, 20-23, 24-27, and 28-31.

Fujitsu has implemented an Erase Suspend feature that enables the user to put erase on hold for any period of time to read data from or program data to a non-busy sector. Thus, true background erase can be achieved.

The device features single 5.0 V power supply operation for both read and program functions. Internally generated and regulated voltages are provided for the program and erase operations. A low V_{CC} detector automatically inhibits write operations during power transitions. The end of program or erase is detected by $\overline{\text{Data}}$ Polling of DQ_7 , or by the Toggle Bit I feature on DQ_6 or $\text{RY}/\overline{\text{BY}}$ output pin. Once the end of a program or erase cycle has been completed, the device automatically resets to the read mode.

The MBM29F016A also has a hardware $\overline{\text{RESET}}$ pin. When this pin is driven low, execution of any Embedded Program or Embedded Erase operations will be terminated. The internal state machine will then be reset into the read mode. The $\overline{\text{RESET}}$ pin may be tied to the system reset circuitry. Therefore, if a system reset occurs during the Embedded Program or Embedded Erase operation, the device will be automatically reset to a read mode. This will enable the system microprocessor to read the boot-up firmware from the Flash memory.

Fujitsu's Flash technology combines years of EPROM and E²PROM experience to produce the highest levels of quality, reliability, and cost effectiveness. The MBM29F016A memory electrically erases all bits within a sector simultaneously via Fowler-Nordheim tunneling. The bytes are programmed one byte at a time using the EPROM programming mechanism of hot electron injection.

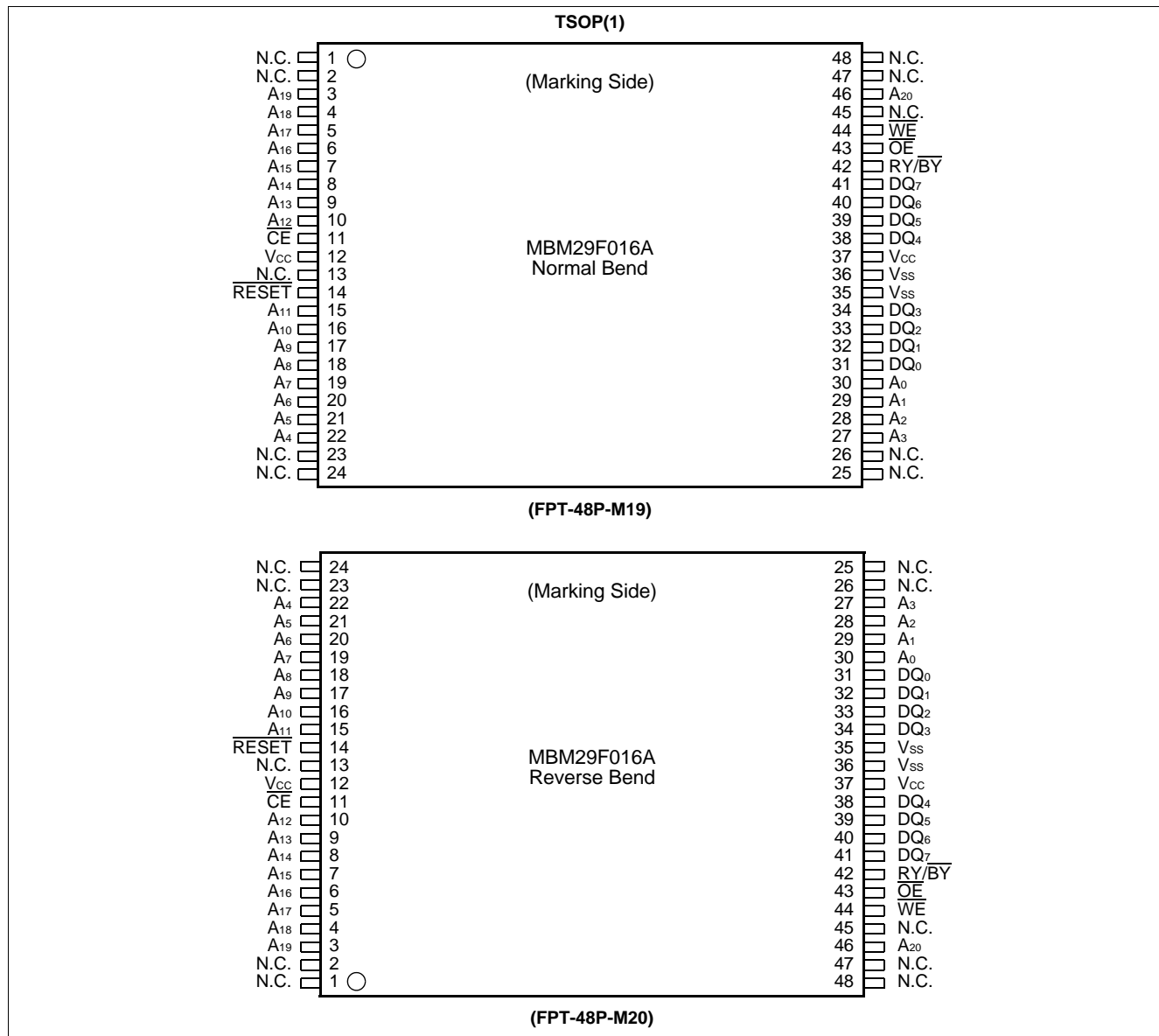
■ FEATURES

- **Single 5.0 V read, write, and erase**
Minimizes system level power requirements
- **Compatible with JEDEC-standard commands**
Pinout and software compatible with single-power supply Flash
Superior inadvertent write protection
- **48-pin TSOP(1) (Package Suffix: PFTN-Normal Bend Type, PFTR-Reverse Bend Type)**
- **Minimum 100,000 write/erase cycles**
- **High performance**
70 ns maximum access time
- **Sector erase architecture**
Uniform sectors of 64 K bytes each
Any combination of sectors can be erased. Also supports full chip erase.
- **Embedded Erase™* Algorithms**
Automatically pre-programs and erases the chip or any sector
- **Embedded Program™* Algorithms**
Automatically programs and verifies data at specified address
- **Data Polling and Toggle Bit feature for detection of program or erase cycle completion**
- **Ready/Busy output (RY/BY)**
Hardware method for detection of program or erase cycle completion
- **Low V_{CC} write inhibit ≤ 3.2 V**
- **Hardware $\overline{\text{RESET}}$ pin**
Resets internal state machine to the read mode
- **Erase Suspend/Resume**
Supports reading or programming data to a sector not being erased
- **Sector group protection**
Hardware method that disables any combination of sector groups from write or erase operation (a sector group consists of 4 adjacent sectors of 64 K bytes each)
- **Temporary sector groups unprotection**
Temporary sector unprotection via the $\overline{\text{RESET}}$ pin

* : Embedded Erase™ and Embedded Program™ are trademarks of Advanced Micro Devices, Inc.

MBM29F016A-70/-90/-12

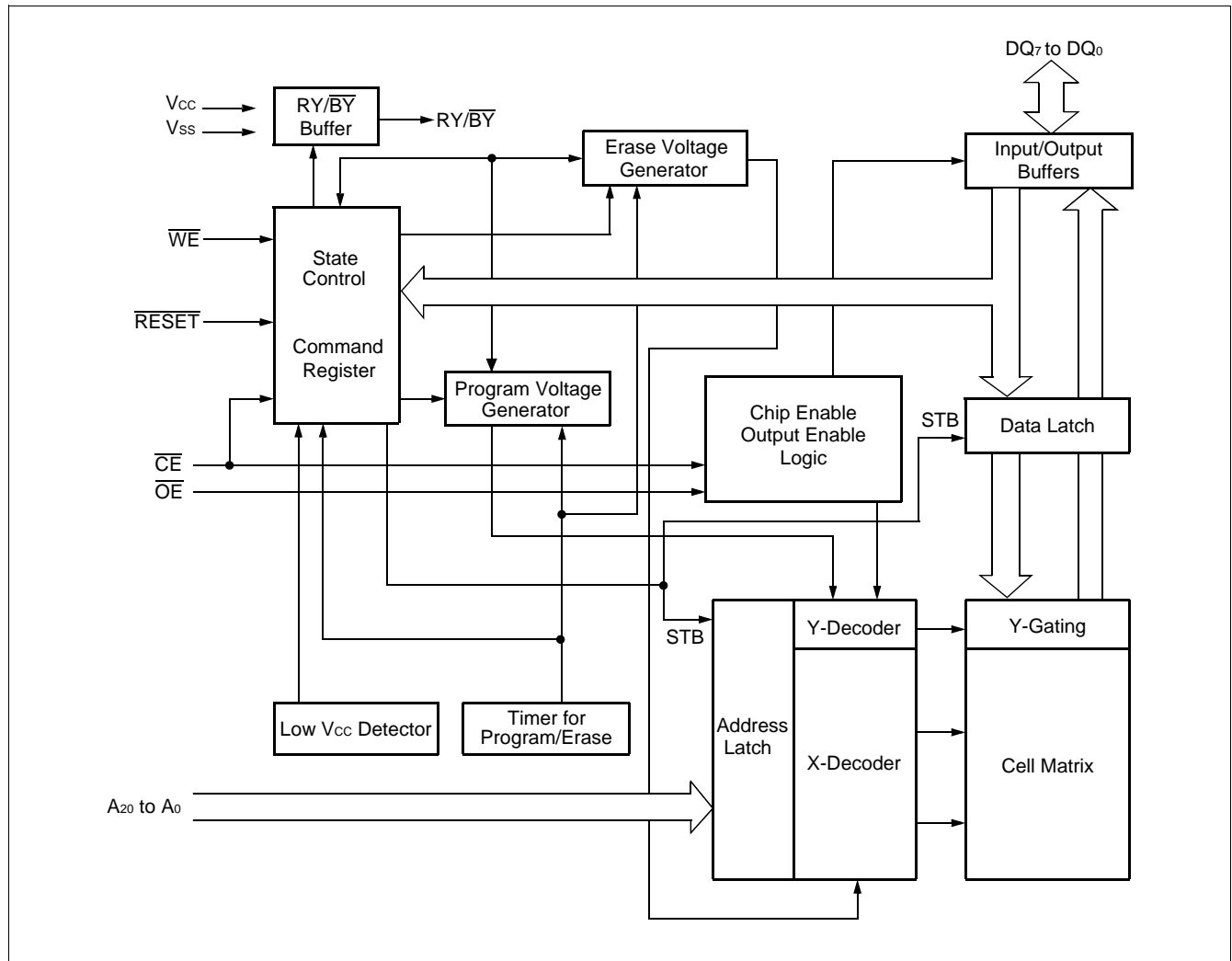
PIN ASSIGNMENTS



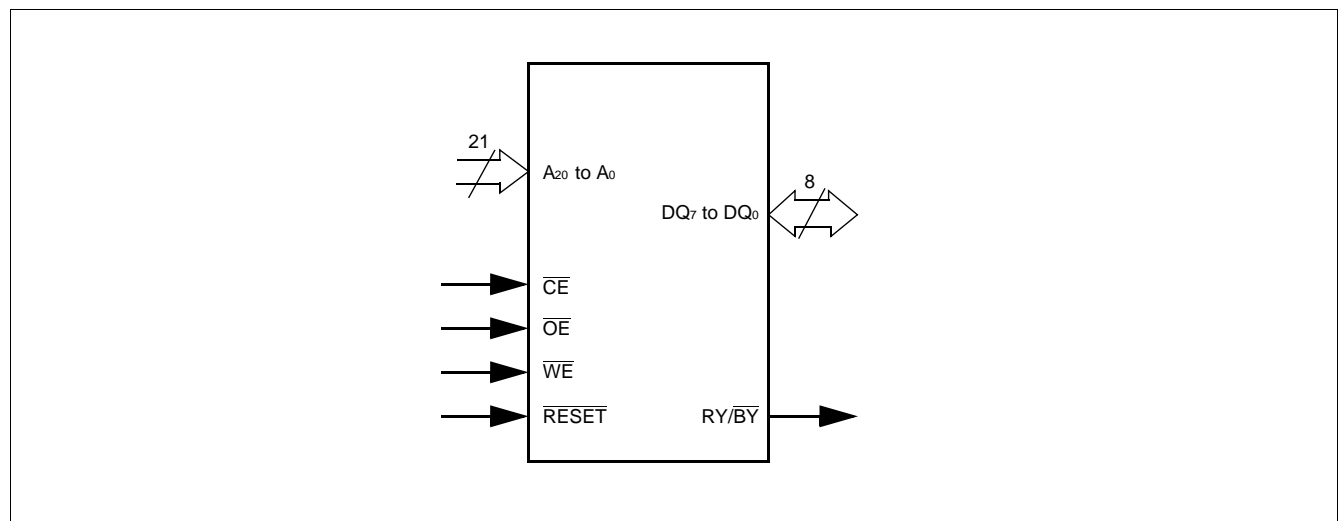
PIN DESCRIPTIONS

Pin	Function
A ₂₀ to A ₀	Address Inputs
DQ ₇ to DQ ₀	Data Inputs/Outputs
CE	Chip Enable
OE	Output Enable
WE	Write Enable
RY/BY	Ready/Busy Output
RESET	Hardware Reset Pin/Sector Protection Unlock
N.C.	No Internal Connection
V _{SS}	Device Ground
V _{CC}	Device Power Supply

■ BLOCK DIAGRAM




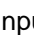
■ LOGIC SYMBOL



■ FLEXIBLE SECTOR-ERASE ARCHITECTURE

MBM29F016A User Bus Operations Table

Operation	\overline{CE}	\overline{OE}	\overline{WE}	A ₀	A ₁	A ₆	A ₉	DQ ₇ to DQ ₀	\overline{RESET}
Auto-Select Manufacturer Code *1	L	L	H	L	L	L	V _{ID}	Code	H
Auto-Select Device Code *1	L	L	H	H	L	L	V _{ID}	Code	H
Read *3	L	L	H	A ₀	A ₁	A ₆	A ₉	D _{OUT}	H
Standby	H	X	X	X	X	X	X	High-Z	H
Output Disable	L	H	H	X	X	X	X	High-Z	H
Write (Program/Erase)	L	H	L	A ₀	A ₁	A ₆	A ₉	D _{IN}	H
Enable Sector Group Protection *2	L	V _{ID}		X	X	X	V _{ID}	X	H
Verify Sector Group Protection *2	L	L	H	L	H	L	V _{ID}	Code	H
Temporary Sector Group Unprotection	X	X	X	X	X	X	X	X	V _{ID}
Reset (Hardware)	X	X	X	X	X	X	X	High-Z	L

Legend: L = V_{IL}, H = V_{IH}, X = V_{IL} or V_{IH},  = Pulse Input. See DC Characteristics for voltage levels.

*1 : Manufacturer and device codes may also be accessed via a command register write sequence. Refer to "MBM29F016A Command Definitions Table" in "■ FLEXIBLE SECTOR-ERASE ARCHITECTURE".

*2 : Refer to the section on Sector Group Protection.

*3 : \overline{WE} can be V_{IL} if \overline{OE} is V_{IL}, \overline{OE} at V_{IH} initiates the write operations.

MBM29F016A Command Definitions Table

Command Sequence	Bus Write Cycles Req'd	First Bus Write Cycle		Second Bus Write Cycle		Third Bus Write Cycle		Fourth Bus Read/Write Cycle		Fifth Bus Write Cycle		Sixth Bus Write Cycle	
		Addr.	Data	Addr.	Data	Addr.	Data	Addr.	Data	Addr.	Data	Addr.	Data
Read/Reset*1	1	XXXh	F0h	—	—	—	—	—	—	—	—	—	—
Reset/Read*1	3	555h	AAh	2AAh	55h	555h	F0h	RA*2	RD*2	—	—	—	—
Autoselect	3	555h	AAh	2AAh	55h	555h	90h	IA*2	ID*2	—	—	—	—
Byte Program	4	555h	AAh	2AAh	55h	555h	A0h	PA	PD	—	—	—	—
Chip Erase	6	555h	AAh	2AAh	55h	555h	80h	555h	AAh	2AAh	55h	555h	10h
Sector Erase	6	555h	AAh	2AAh	55h	555h	80h	555h	AAh	2AAh	55h	SA	30h
Sector Erase Suspend	Erase can be suspended during sector erase with Addr ("H" or "L"), Data (B0h)												
Sector Erase Resume	Erase can be resumed after suspend with Addr ("H" or "L"), Data (30h)												

*1: Either of the two reset commands will reset the device.

*2: The fourth bus cycle is only for read.

- Notes :
- Address bits A₂₀ to A₁₁ = X = "H" or "L" for all address commands except or Program Address (PA) and Sector Address (SA).
 - Bus operations are defined in "MBM29F016A User Bus Operations Table" in "■ FLEXIBLE SECTOR-ERASE ARCHITECTURE".
 - RA = Address of the memory location to be read.
IA = Autoselect read address that sets A₆, A₁, A₀.
PA = Address of the memory location to be programmed. Addresses are latched on the falling edge of the WE pulse.
SA = Address of the sector to be erased. The combination of A₂₀, A₁₉, A₁₈, A₁₇, and A₁₆ will uniquely select any sector.
 - RD = Data read from location RA during read operation.
ID = Device code / manufacture code for the address located by IA.
PD = Data to be programmed at location PA. Data is latched on the rising edge of WE.
 - Read and Byte program functions to non-erasing sectors are allowed in the Erase Suspend mode.
 - The system should generate the following address patterns: 555h or 2AAh to addresses A₁₀ to A₀.
 - The command combinations not described in "MBM29F016A Command Definitions" are illegal.

MBM29F016A Sector Protection Verify Autoselect Codes Table

Type	A ₂₀ to A ₁₈			A ₆	A ₁	A ₀	Code (HEX)	DQ ₇	DQ ₆	DQ ₅	DQ ₄	DQ ₃	DQ ₂	DQ ₁	DQ ₀
Manufacture's Code	X	X	X	V _{IL}	V _{IL}	V _{IL}	04h	0	0	0	0	0	1	0	0
Device Code	X	X	X	V _{IL}	V _{IL}	V _{IH}	ADh	1	0	1	0	1	1	0	1
Sector Group Protection	Sector Group Addresses			V _{IL}	V _{IH}	V _{IL}	01h*	0	0	0	0	0	0	0	1

* : Outputs 01h at protected sector addresses and outputs 00h at unprotected sector addresses.

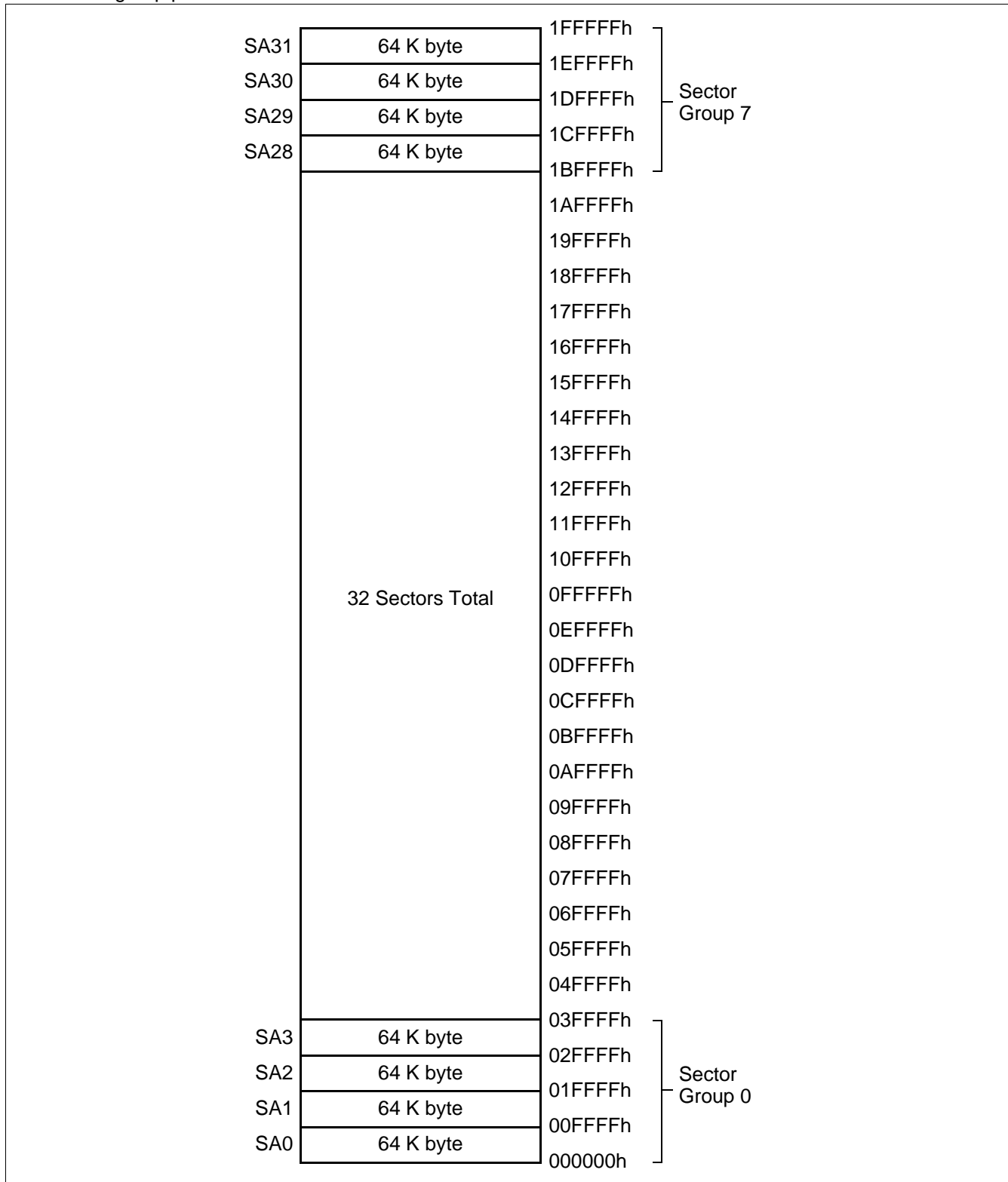
Sector Address Table

	A ₂₀	A ₁₉	A ₁₈	A ₁₇	A ₁₆	Address Range
SA0	0	0	0	0	0	00000h to 00FFFFh
SA1	0	0	0	0	1	01000h to 01FFFFh
SA2	0	0	0	1	0	02000h to 02FFFFh
SA3	0	0	0	1	1	03000h to 03FFFFh
SA4	0	0	1	0	0	04000h to 04FFFFh
SA5	0	0	1	0	1	05000h to 05FFFFh
SA6	0	0	1	1	0	06000h to 06FFFFh
SA7	0	0	1	1	1	07000h to 07FFFFh
SA8	0	1	0	0	0	08000h to 08FFFFh
SA9	0	1	0	0	1	09000h to 09FFFFh
SA10	0	1	0	1	0	0A000h to 0AFFFFh
SA11	0	1	0	1	1	0B000h to 0BFFFFh
SA12	0	1	1	0	0	0C000h to 0CFFFFh
SA13	0	1	1	0	1	0D000h to 0DFFFFh
SA14	0	1	1	1	0	0E000h to 0EFFFFh
SA15	0	1	1	1	1	0F000h to 0FFFFh
SA16	1	0	0	0	0	10000h to 10FFFFh
SA17	1	0	0	0	1	11000h to 11FFFFh
SA18	1	0	0	1	0	12000h to 12FFFFh
SA19	1	0	0	1	1	13000h to 13FFFFh
SA20	1	0	1	0	0	14000h to 14FFFFh
SA21	1	0	1	0	1	15000h to 15FFFFh
SA22	1	0	1	1	0	16000h to 16FFFFh
SA23	1	0	1	1	1	17000h to 17FFFFh
SA24	1	1	0	0	0	18000h to 18FFFFh
SA25	1	1	0	0	1	19000h to 19FFFFh
SA26	1	1	0	1	0	1A000h to 1AFFFFh
SA27	1	1	0	1	1	1B000h to 1BFFFFh
SA28	1	1	1	0	0	1C000h to 1CFFFFh
SA29	1	1	1	0	1	1D000h to 1DFFFFh
SA30	1	1	1	1	0	1E000h to 1EFFFFh
SA31	1	1	1	1	1	1F000h to 1FFFFh

Sector Group Addresses Table

	A ₂₀	A ₁₉	A ₁₈	Sectors
SGA0	0	0	0	SA0 to SA3
SGA1	0	0	1	SA4 to SA7
SGA2	0	1	0	SA8 to SA11
SGA3	0	1	1	SA12 to SA15
SGA4	1	0	0	SA16 to SA19
SGA5	1	0	1	SA20 to SA23
SGA6	1	1	0	SA24 to SA27
SGA7	1	1	1	SA28 to SA31

- Thirty two 64 K byte sectors
- 8 sector groups each of which consists of 4 adjacent sectors in the following pattern; sectors 0-3, 4-7, 8-11, 12-15, 16-19, 20-23, 24-27, and 28-31
- Individual-sector or multiple-sector erase capability
- Sector group protection is user-definable



■ FUNCTIONAL DESCRIPTION

Read Mode

The MBM29F016A has two control functions which must be satisfied in order to obtain data at the outputs. \overline{CE} is the power control and should be used for a device selection. \overline{OE} is the output control and should be used to gate data to the output pins if a device is selected.

Address access time (t_{ACC}) is equal to the delay from stable addresses to valid output data. The chip enable access time (t_{CE}) is the delay from stable addresses and stable \overline{CE} to valid data at the output pins. The output enable access time is the delay from the falling edge of \overline{OE} to valid data at the output pins (assuming the addresses have been stable for at least $t_{ACC-tOE}$ time).

Standby Mode

There are two ways to implement the standby mode on the MBM29F016A device, one using both the \overline{CE} and \overline{RESET} pins; the other via the \overline{RESET} pin only.

When using both pins, a CMOS standby mode is achieved with \overline{CE} and \overline{RESET} inputs both held at $V_{CC} \pm 0.3 V$. Under this condition the current consumed is less than $5 \mu A$. A TTL standby mode is achieved with \overline{CE} and \overline{RESET} pins held at V_{IH} . Under this condition the current is reduced to approximately 1 mA. During Embedded Algorithm operation, V_{CC} Active current (I_{CC2}) is required even $\overline{CE} = V_{IH}$. The device can be read with standard access time (t_{CE}) from either of these standby modes.

When using the \overline{RESET} pin only, a CMOS standby mode is achieved with \overline{RESET} input held at $V_{SS} \pm 0.3 V$ ($\overline{CE} = "H"$ or $"L"$). Under this condition the current consumed is less than $5 \mu A$. A TTL standby mode is achieved with \overline{RESET} pin held at V_{IL} ($\overline{CE} = "H"$ or $"L"$). Under this condition the current required is reduced to approximately 1 mA. Once the \overline{RESET} pin is taken high, the device requires 500 ns of wake up time before outputs are valid for read access.

In the standby mode the outputs are in the high impedance state, independent of the \overline{OE} input.

Output Disable

With the \overline{OE} input at a logic high level (V_{IH}), output from the device is disabled. This will cause the output pins to be in a high impedance state.

Autoselect

The autoselect mode allows the reading out of a binary code from the device and will identify its manufacturer and type. This mode is intended for use by programming equipment for the purpose of automatically matching the device to be programmed with its corresponding programming algorithm. This mode is functional over the entire temperature range of the device.

To activate this mode, the programming equipment must force V_{ID} (11.5 V to 12.5 V) on address pin A_9 . Two identifier bytes may then be sequenced from the device outputs by toggling address A_0 from V_{IL} to V_{IH} . All addresses are don't cares except A_0 , A_1 , and A_6 . (See "MBM29F016A Sector Protection Verify Autoselect Codes Table" in "■ FLEXIBLE SECTOR-ERASE ARCHITECTURE".)

The manufacturer and device codes may also be read via the command register, for instances when the MBM29F016A is erased or programmed in a system without access to high voltage on the A_9 pin. The command sequence is illustrated in "MBM29F016A Command Definitions Table" in "■ FLEXIBLE SECTOR-ERASE ARCHITECTURE". (Refer to Autoselect Command section.)

Byte 0 ($A_0 = V_{IL}$) represents the manufacturer's code (Fujitsu = 04h) and byte 1 ($A_0 = V_{IH}$) represents the device identifier code for MBM29F016A = ADh. These two bytes are given in the "MBM29F016A Sector Protection Verify Autoselect Codes Table" in "■ FLEXIBLE SECTOR-ERASE ARCHITECTURE". All identifiers for manufactures and device will exhibit odd parity with DQ_7 defined as the parity bit. In order to read the proper device codes when executing the Autoselect, A_1 must be V_{IL} . (See "MBM29F016A Sector Protection Verify Autoselect Codes Table" in "■ FLEXIBLE SECTOR-ERASE ARCHITECTURE".)

The Autoselect mode also facilitates the determination of sector group protection in the system. By performing a read operation at the address location XX02h with the higher order address bits A₁₈, A₁₉ and A₂₀ set to the desired sector group address, the device will return 01h for a protected sector group and 00h for a non-protected sector group.

Write

Device erasure and programming are accomplished via the command register. The contents of the register serve as inputs to the internal state machine. The state machine outputs dictate the function of the device.

The command register itself does not occupy any addressable memory location. The register is a latch used to store the commands, along with the address and data information needed to execute the command. The command register is written by bringing \overline{WE} to V_{IL}, while \overline{CE} is at V_{IL} and \overline{OE} is at V_{IH}. Addresses are latched on the falling edge of \overline{WE} or \overline{CE} , whichever happens later; while data is latched on the rising edge of \overline{WE} or \overline{CE} , whichever happens first. Standard microprocessor write timings are used.

Refer to AC Write Characteristics and the Erase/Programming Waveforms for specific timing parameters.

Sector Group Protection

The MBM29F016A features hardware sector group protection. This feature will disable both program and erase operations in any combination of eight sector groups of memory. Each sector group consists of four adjacent sectors grouped in the following pattern: sectors 0-3, 4-7, 8-11, 12-15, 16-19, 20-23, 24-27, and 28-31 (see "Sector Group Address Table" in "■ FLEXIBLE SECTOR-ERASE ARCHITECTURE"). The sector group protection feature is enabled using programming equipment at the user's site. The device is shipped with all sector groups unprotected.

To activate this mode, the programming equipment must force V_{ID} on address pin A₉ and control pin \overline{OE} , (suggest V_{ID} = 11.5 V), \overline{CE} = V_{IL}. The sector addresses (A₂₀, A₁₉, and A₁₈) should be set to the sector to be protected. "Sector Address Table" and "Sector Group Address Table" in "■ FLEXIBLE SECTOR-ERASE ARCHITECTURE" define the sector address for each of the thirty two (32) individual sectors, and the sector group address for each of the eight (8) individual group sectors. Programming of the protection circuitry begins on the falling edge of the \overline{WE} pulse and is terminated with the rising edge of the same. Sector addresses must be held constant during the \overline{WE} pulse. See "Temporary Sector Group Unprotection Timing Diagram" in "■ TIMING DIAGRAM" and "Temporary Sector Group Unprotection Algorithm" in "■ FLOW CHART" for sector protection waveforms and algorithm.

To verify programming of the protection circuitry, the programming equipment must force V_{ID} on address pin A₉ with \overline{CE} and \overline{OE} at V_{IL} and \overline{WE} at V_{IH}. Scanning the sector addresses (A₂₀, A₁₉, and A₁₈) while (A₆, A₁, A₀) = (0, 1, 0) will produce a logical "1" code at device output DQ₀ for a protected sector. Otherwise the device will produce 00h for unprotected sector. In this mode, the lower order addresses, except for A₀, A₁, and A₆ are DON'T CARES. Address locations with A₁ = V_{IL} are reserved for Autoselect manufacturer and device codes.

It is also possible to determine if a sector group is protected in the system by writing an Autoselect command. Performing a read operation at the address location XX02h, where the higher order addresses (A₂₀, A₁₉, and A₁₈) are the desired sector group address will produce a logical "1" at DQ₀ for a protected sector group. See "MBM29F016A Sector Protection Verify Autoselect Codes Table" in "■ FLEXIBLE SECTOR-ERASE ARCHITECTURE" for Autoselect codes.

Temporary Sector Group Unprotection

This feature allows temporary unprotection of previously protected sector groups of the MBM29F016A device in order to change data. The Sector Group Unprotection mode is activated by setting the $\overline{\text{RESET}}$ pin to high voltage (12 V). During this mode, formerly protected sector groups can be programmed or erased by selecting the sector group addresses. Once the 12 V is taken away from the $\overline{\text{RESET}}$ pin, all the previously protected sector groups will be protected again. Refer to “Temporary Sector Group Unprotection Timing Diagram” in “■ TIMING DIAGRAM” and “Temporary Sector Group Unprotection Algorithm” in “■ FLOW CHART”.

Command Definitions

Device operations are selected by writing specific address and data sequences into the command register. Writing incorrect address and data values or writing them in the improper sequence will reset the device to the read mode. “MBM29F016A Command Definitions Table” in “■ FLEXIBLE SECTOR-ERASE ARCHITECTURE” defines the valid register command sequences. Note that the Erase Suspend (B0h) and Erase Resume (30h) commands are valid only while the Sector Erase operation is in progress. Moreover, both Read/Reset commands are functionally equivalent, resetting the device to the read mode.

Read/Reset Command

The read or reset operation is initiated by writing the read/reset command sequence into the command register. Microprocessor read cycles retrieve array data from the memory. The device remains enabled for reads until the command register contents are altered.

The device will automatically power-up in the read/reset state. In this case, a command sequence is not required to read data. Standard microprocessor read cycles will retrieve array data. This default value ensures that no spurious alteration of the memory content occurs during the power transition. Refer to the AC Read Characteristics and Waveforms for the specific timing parameters.

Autoselect Command

Flash memories are intended for use in applications where the local CPU alters memory contents. As such, manufacture and device codes must be accessible while the device resides in the target system. PROM programmers typically access the signature codes by raising A_9 to a high voltage. However, multiplexing high voltage onto the address lines is not generally desirable system design practice.

The device contains an autoselect command operation to supplement traditional PROM programming methodology. The operation is initiated by writing the autoselect command sequence into the command register. Following the command write, a read cycle from address XX00h retrieves the manufacture code of 04h. A read cycle from address XX01h returns the device code ADh. (See “MBM29F016A Sector Protection Verify Autoselect Codes Table” in “■ FLEXIBLE SECTOR-ERASE ARCHITECTURE”).

All manufacturer and device codes will exhibit odd parity with the DQ_7 defined as the parity bit.

Sector state (protection or unprotection) will be informed by address XX02h.

Scanning the sector group addresses (A_{18}, A_{19}, A_{20}) while (A_6, A_1, A_0) = (0, 1, 0) will produce a logical “1” at device output DQ_0 for a protected sector group.

To terminate the operation, it is necessary to write the read/reset command sequence into the register and also to write the Autoselect command during the operation, execute it after writing Read/Reset command sequence.

Byte Programming

The device is programmed on a byte-by-byte basis. Programming is a four bus cycle operation. There are two “unlock” write cycles. These are followed by the program set-up command and data write cycles. Addresses are latched on the falling edge of $\overline{\text{CE}}$ or $\overline{\text{WE}}$, whichever happens later and the data is latched on the rising edge of

\overline{CE} or \overline{WE} , whichever happens first. The rising edge of \overline{CE} or \overline{WE} (whichever happens first) begins programming. Upon executing the Embedded Program Algorithm command sequence, the system is *not* required to provide further controls or timings. The device will automatically provide adequate internally generated program pulses and verify the programmed cell margin.

This automatic programming operation is completed when the data on DQ₇ is equivalent to data written to this bit at which time the device returns to the read mode and addresses are no longer latched. (See “Hardware Sequence Flags Table” in “■ FUNCTIONAL DESCRIPTION”, Hardware Sequence Flags.) Therefore, the device requires that a valid address to the device be supplied by the system at this particular instance of time. Data Polling must be performed at the memory location which is being programmed.

Any commands written to the chip during this period will be ignored. If a hardware reset occurs during the programming operation, it is impossible to guarantee the data are being written.

Programming is allowed in any sequence and across sector boundaries. Beware that a data “0” cannot be programmed back to a “1”. Attempting to do so may either hang up the device or result in an apparent success according to the data polling algorithm but a read from reset/read mode will show that the data is still “0”. Only erase operations can convert “0”s to “1”s.

“Embedded Program™ Algorithm” in “■ FLOW CHART” illustrates the Embedded Programming™ Algorithm using typical command strings and bus operations.

Chip Erase

Chip erase is a six bus cycle operation. There are two “unlock” write cycles. These are followed by writing the “set-up” command. Two more “unlock” write cycles are then followed by the chip erase command.

Chip erase does *not* require the user to program the device prior to erase. Upon executing the Embedded Erase Algorithm command sequence the device will automatically program and verify the entire memory for an all zero data pattern prior to electrical erase. The system is not required to provide any controls or timings during these operations.

The automatic erase begins on the rising edge of the last \overline{WE} pulse in the command sequence and terminates when the data on DQ₇ is “1” (see Write Operation Status section) at which time the device returns to read the mode.

“Embedded Erase™ Algorithm” in “■ FLOW CHART” illustrates the Embedded Erase™ Algorithm using typical command strings and bus operations.

Sector Erase

Sector erase is a six bus cycle operation. There are two “unlock” write cycles. These are followed by writing the “set-up” command. Two more “unlock” write cycles are then followed by the Sector Erase command. The sector address (any address location within the desired sector) is latched on the falling edge of \overline{WE} , while the command (Data = 30h) is latched on the rising edge of \overline{WE} . After time-out of 50 μ s from the rising edge of the last sector erase command, the sector erase operation will begin.

Multiple sectors may be erased concurrently by writing the six bus cycle operations on “MBM29F016A Command Definitions Table” in “■ FLEXIBLE SECTOR-ERASE ARCHITECTURE”. This sequence is followed with writes of the Sector Erase command to addresses in other sectors desired to be concurrently erased. The time between writes must be less than 50 μ s otherwise that command will not be accepted and erasure will start. It is recommended that processor interrupts be disabled during this time to guarantee this condition. The interrupts can be re-enabled after the last Sector Erase command is written. A time-out of 50 μ s from the rising edge of the last \overline{WE} will initiate the execution of the Sector Erase command(s). If another falling edge of the \overline{WE} occurs within the 50 μ s time-out window the timer is reset. (Monitor DQ₃ to determine if the sector erase timer window is still open, see section DQ₃, Sector Erase Timer.) Any command other than Sector Erase or Erase Suspend

during this time-out period will reset the device to the read mode, ignoring the previous command string. Resetting the device once execution has begun will corrupt the data in that sector. In that case, restart the erase on those sectors and allow them to complete. (Refer to the Write Operation Status section for DQ₃, Sector Erase Timer operation.) Loading the sector erase buffer may be done in any sequence and with any number of sectors (0 to 31).

Sector erase does *not* require the user to program the device prior to erase. The device automatically programs all memory locations in the sector(s) to be erased prior to electrical erase. When erasing a sector or sectors the remaining unselected sectors are not affected. The system is *not* required to provide any controls or timings during these operations.

The automatic sector erase begins after the 50 μs time out from the rising edge of the \overline{WE} pulse for the last sector erase command pulse and terminates when the data on DQ₇ is “1” (see Write Operation Status section) at which time the device returns to the read mode. \overline{Data} polling must be performed at an address within any of the sectors being erased.

“Embedded Erase™ Algorithm” in “■ FLOW CHART” illustrates the Embedded Erase™ Algorithm using typical command strings and bus operations.

Erase Suspend

The Erase Suspend command allows the user to interrupt a Sector Erase operation and then perform data reads from or programs to a sector not being erased. This command is applicable ONLY during a Sector Erase operation which includes the time-out period for sector erase. The Erase Suspend command will be ignored if written during the Chip Erase operation or Embedded Program Algorithm. Writing the Erase Suspend command during the Sector Erase time-out results in immediate termination of the time-out period and suspension of the erase operation.

Any other command written during the Erase Suspend mode will be ignored except the Erase Resume command. Writing the Erase Resume command resumes the erase operation. The addresses are DON'T CARES when writing the Erase Suspend or Erase Resume command.

When the Erase Suspend command is written during the Sector Erase operation, the device will take a maximum of 15 μs to suspend the erase operation. When the device has entered the erase-suspended mode, the RY/ \overline{BY} output pin and the DQ₇ bit will be at logic “1”, and DQ₆ will stop toggling. The user must use the address of the erasing sector for reading DQ₆ and DQ₇ to determine if the erase operation has been suspended. Further writes of the Erase Suspend command are ignored.

When the erase operation has been suspended, the device defaults to the erase-suspend-read mode. Reading data in this mode is the same as reading from the standard read mode except that the data must be read from sectors that have not been erase-suspended. Successively reading from the erase-suspended sector while the device is in the erase-suspend-read mode will cause DQ₂ to toggle. (See the section on DQ₂.)

After entering the erase-suspend-read mode, the user can program the device by writing the appropriate command sequence for Byte Program. This program mode is known as the erase-suspend-program mode. Again, programming in this mode is the same as programming in the regular Byte Program mode except that the data must be programmed to sectors that are not erase-suspended. Successively reading from the erase-suspended sector while the device is in the erase-suspend-program mode will cause DQ₂ to toggle. The end of the erase-suspended program operation is detected by the RY/ \overline{BY} output pin, \overline{Data} polling of DQ₇, or by the Toggle Bit I (DQ₆) which is the same as the regular Byte Program operation. Note that DQ₇ must be read from the Byte Program address while DQ₆ can be read from any address.

To resume the operation of Sector Erase, the Resume command (30h) should be written. Any further writes of the Resume command at this point will be ignored. Another Erase Suspend command can be written after the chip has resumed erasing.

Write Operation Status

Hardware Sequence Flags Table

Status		DQ ₇	DQ ₆	DQ ₅	DQ ₃	DQ ₂	
In Progress	Embedded Program Algorithm	$\overline{DQ_7}$	Toggle	0	0	1	
	Embedded Erase Algorithm	0	Toggle	0	1	Toggle	
	Erase Suspended Mode	Erase Suspend Read (Erase Suspended Sector)	1	1	0	0	Toggle* ¹
		Erase Suspend Read (Non-Erase Suspended Sector)	Data	Data	Data	Data	Data
	Erase Suspend Program (Non-Erase Suspended Sector)	$\overline{DQ_7}$	Toggle* ²	0	0	1* ³	
Exceeded Time Limits	Embedded Program Algorithm	$\overline{DQ_7}$	Toggle	1	0	1	
	Embedded Erase Algorithm	0	Toggle	1	1	N/A	
	Erase Suspended Mode	Erase Suspend Program (Non-Erase Suspended Sector)	$\overline{DQ_7}$	Toggle	1	0	N/A

*1 : Performing successive read operations from the erase-suspended sector will cause DQ₂ to toggle.

*2 : Performing successive read operations from any address will cause DQ₆ to toggle.

*3 : Reading the byte address being programmed while in the erase-suspend program mode will indicate logic "1" at the DQ₂ bit. However, successive reads from the erase-suspended sector will cause DQ₂ to toggle.

DQ₇

Data Polling

The MBM29F016A device features $\overline{\text{Data}}$ Polling as a method to indicate to the host that the embedded algorithms are in progress or completed. During the Embedded Program Algorithm, an attempt to read the device will produce the complement of the data last written to DQ₇. Upon completion of the Embedded Program Algorithm, an attempt to read the device will produce the true data last written to DQ₇. During the Embedded Erase™ Algorithm, an attempt to read the device will produce a "0" at the DQ₇ output. Upon completion of the Embedded Erase Algorithm an attempt to read the device will produce a "1" at the DQ₇ output. The flowchart for $\overline{\text{Data}}$ Polling (DQ₇) is shown in "Data Polling Algorithm" in "■ FLOW CHART".

$\overline{\text{Data}}$ polling will also flag the entry into Erase Suspend. DQ₇ will switch "0" to "1" at the start of the Erase Suspend mode. Please note that the address of an erasing sector must be applied in order to observe DQ₇ in the Erase Suspend Mode.

During Program in Erase Suspend, $\overline{\text{Data}}$ polling will perform the same as in regular program execution outside of the suspend mode.

For chip erase, the $\overline{\text{Data}}$ Polling is valid after the rising edge of the sixth $\overline{\text{WE}}$ pulse in the six write pulse sequence. For sector erase, the $\overline{\text{Data}}$ Polling is valid after the last rising edge of the sector erase $\overline{\text{WE}}$ pulse. $\overline{\text{Data}}$ Polling must be performed at sector address within any of the sectors being erased and not a sector that is within a protected sector group. Otherwise, the status may not be valid.

Just prior to the completion of Embedded Algorithm operation DQ₇ may change asynchronously while the output enable ($\overline{\text{OE}}$) is asserted low. This means that the device is driving status information on DQ₇ at one instant of time and then that byte's valid data at the next instant of time. Depending on when the system samples the DQ₇ output, it may read the status or valid data. Even if the device has completed the Embedded Algorithm operations and DQ₇ has a valid data, the data outputs on DQ₆ to DQ₀ may be still invalid. The valid data on DQ₇ to DQ₀ will be read on the successive read attempts.

The $\overline{\text{Data}}$ Polling feature is only active during the Embedded Programming Algorithm, Embedded Erase Algorithm, Erase Suspend, erase-suspend-program mode, or sector erase time-out. (See “Hardware Sequence Flags Table” in “■ FUNCTIONAL DESCRIPTION”.)

See “AC Waveforms for $\overline{\text{Data}}$ Polling during Embedded Algorithm Operations” in “■ TIMING DIAGRAM” for the $\overline{\text{Data}}$ Polling timing specifications and diagrams.

DQ₆

Toggle Bit I

The MBM29F016A also features the “Toggle Bit I” as a method to indicate to the host system that the embedded algorithms are in progress or completed.

During an Embedded Program or Erase Algorithm cycle, successive attempts to read ($\overline{\text{OE}}$ toggling) data from the device *at any address* will result in DQ₆ toggling between one and zero. Once the Embedded Program or Erase Algorithm cycle is completed, DQ₆ will stop toggling and valid data will be read on *the next* successive attempts. During programming, the Toggle Bit I is valid after the rising edge of the fourth $\overline{\text{WE}}$ pulse in the four write pulse sequence. For chip erase, and sector erase the Toggle Bit I is valid after the rising edge of the sixth $\overline{\text{WE}}$ pulse in the six write pulse sequence. For Sector Erase, the Toggle Bit I is valid after the last rising edge of the sector erase $\overline{\text{WE}}$ pulse. The Toggle Bit I is active during the sector erase time out.

In programming, if the sector being written to is protected, the Toggle Bit I will toggle for about 2 μs and then stop toggling without the data having changed. In erase, the device will erase all the selected sectors except for the ones that are protected. If all selected sectors are protected, the chip will toggle the Toggle Bit I for about 100 μs and then drop back into read mode, having changed none of the data.

Either $\overline{\text{CE}}$ or $\overline{\text{OE}}$ toggling will cause the DQ₆ to toggle. In addition, an Erase Suspend/Resume command will cause DQ₆ to toggle.

See “AC Waveforms for Toggle Bit I during Embedded Algorithm Operations” in “■ TIMING DIAGRAM” for the Toggle Bit I timing specifications and diagrams.

DQ₅

Exceeded Timing Limits

DQ₅ will indicate if the program or erase time has exceeded the specified limits (internal pulse count). Under these conditions DQ₅ will produce a “1”. This is a failure condition which indicates that the program or erase cycle was not successfully completed. $\overline{\text{Data}}$ Polling DQ₇, DQ₆ is the only operating function of the device under this condition. The $\overline{\text{CE}}$ circuit will partially power down the device under these conditions (to approximately 2 mA). The $\overline{\text{OE}}$ and $\overline{\text{WE}}$ pins will control the output disable functions as described in “MBM29F016A User Bus Operations Table” in “■ FLEXIBLE SECTOR-ERASE ARCHITECTURE”.

The DQ₅ failure condition may also appear if a user tries to program a 1 to a location that is previously programmed to 0. In this case the device locks out and never completes the Embedded Algorithm operation. Hence, the system never reads a valid data on DQ₇ bit and DQ₆ never stops toggling. Once the device has exceeded timing limits, the DQ₅ bit will indicate a “1”. Please note that this is not a device failure condition since the device was incorrectly used. If this occurs, reset the device.

DQ₃

Sector Erase Timer

After the completion of the initial sector erase command sequence the sector erase time-out will begin. DQ₃ will remain low until the time-out is complete. $\overline{\text{Data}}$ Polling and Toggle Bit I are valid after the initial sector erase command sequence.

If $\overline{\text{Data}}$ Polling or the Toggle Bit I indicates the device has been written with a valid erase command, DQ_3 may be used to determine if the sector erase timer window is still open. If DQ_3 is high ("1") the internally controlled erase cycle has begun; attempts to write subsequent commands (other than Erase Suspend) to the device will be ignored until the erase operation is completed as indicated by $\overline{\text{Data}}$ Polling or Toggle Bit I. If DQ_3 is low ("0"), the device will accept additional sector erase commands. To insure the command has been accepted, the system software should check the status of DQ_3 prior to and following each subsequent sector erase command. If DQ_3 were high on the second status check, the command may not have been accepted.

Refer to "Hardware Sequence Flags Table" in "■ FUNCTIONAL DESCRIPTION": Hardware Sequence Flags.

DQ₂

Toggle Bit II

This toggle bit II, along with DQ_6 , can be used to determine whether the device is in the Embedded Erase™ Algorithm or in Erase Suspend.

Successive reads from the erasing sector will cause DQ_2 to toggle during the Embedded Erase™ Algorithm. If the device is in the erase-suspended-read mode, successive reads from the erase-suspended sector will cause DQ_2 to toggle. When the device is in the erase-suspended-program mode, successive reads from the byte address of the non-erase suspended sector will indicate a logic "1" at the DQ_2 bit.

Mode	DQ ₇	DQ ₆	DQ ₂
Program	$\overline{\text{DQ}}_7$	Toggle	1
Erase	0	Toggle	Toggle
Erase Suspend Read *1 (Erase-Suspended Sector)	1	1	Toggle
Erase Suspend Program	$\overline{\text{DQ}}_7$ *2	Toggle	1 *2

*1 : These status flags apply when outputs are read from a sector that has been erase-suspended.

*2 : These status flags apply when outputs are read from the byte address of the non-erase suspended sector.

DQ_6 is different from DQ_2 in that DQ_6 toggles only when the standard program or Erase, or Erase Suspend Program operation is in progress. The behavior of these two status bits, along with that of DQ_7 , is summarized as follows:

For example, DQ_2 and DQ_6 can be used together to determine the erase-suspend-read mode (DQ_2 toggles while DQ_6 does not). See also "Hardware Sequence Flags Table" in "■ FUNCTIONAL DESCRIPTION" and " DQ_2 vs. DQ_6 " in "■ TIMING DIAGRAM".

Furthermore, DQ_2 can also be used to determine which sector is being erased. When the device is in the erase mode, DQ_2 toggles if this bit is read from the erasing sector.

RY/ $\overline{\text{BY}}$

Ready/Busy

The MBM29F016A provides a RY/ $\overline{\text{BY}}$ open-drain output pin as a way to indicate to the host system that the Embedded Algorithms are either in progress or has been completed. If the output is low, the device is busy with either a program or erase operation. If the output is high, the device is ready to accept any read/write or erase operation. When the RY/ $\overline{\text{BY}}$ pin is low, the device will not accept any additional program or erase commands with the exception of the Erase Suspend command. If the MBM29F016A is placed in an Erase Suspend mode, the RY/ $\overline{\text{BY}}$ output will be high, by means of connecting with a pull-up resistor to V_{CC} .

During programming, the RY/ $\overline{\text{BY}}$ pin is driven low after the rising edge of the fourth $\overline{\text{WE}}$ pulse. During an erase operation, the RY/ $\overline{\text{BY}}$ pin is driven low after the rising edge of the sixth $\overline{\text{WE}}$ pulse. The RY/ $\overline{\text{BY}}$ pin will indicate a busy condition during $\overline{\text{RESET}}$ pulse. Refer to “RY/ $\overline{\text{BY}}$ Timing Diagram during Program/Erase Operations” in “■ TIMING DIAGRAM” for a detailed timing diagram. The RY/ $\overline{\text{BY}}$ pin is pulled high in standby mode.

Since this is an open-drain output, several RY/ $\overline{\text{BY}}$ pins can be tied together in parallel with a pull-up resistor to V_{CC} .

RESET

Hardware Reset

The MBM29F016A device may be reset by driving the $\overline{\text{RESET}}$ pin to V_{IL} . The $\overline{\text{RESET}}$ pin must be kept low (V_{IL}) for at least 500 ns. Any operation in progress will be terminated and the internal state machine will be reset to the read mode 20 μs after the $\overline{\text{RESET}}$ pin is driven low. If a hardware reset occurs during a program operation, the data at that particular location will be indeterminate.

When the $\overline{\text{RESET}}$ pin is low and the internal reset is complete, the device goes to standby mode and cannot be accessed. Also, note that all the data output pins are tri-stated for the duration of the $\overline{\text{RESET}}$ pulse. Once the $\overline{\text{RESET}}$ pin is taken high, the device requires t_{RH} of wake up time until outputs are valid for read access.

The $\overline{\text{RESET}}$ pin may be tied to the system reset input. Therefore, if a system reset occurs during the Embedded Program or Erase Algorithm, the device will be automatically reset to read mode and this will enable the system's microprocessor to read the boot-up firmware from the Flash memory.

Data Protection

The MBM29F016A is designed to offer protection against accidental erasure or programming caused by spurious system level signals that may exist during power transitions. During power up the device automatically resets the internal state machine in the Read mode. Also, with its control register architecture, alteration of the memory contents only occurs after successful completions of specific multi-bus cycle command sequences.

The device also incorporates several features to prevent inadvertent write cycles resulting from V_{CC} power-up and power-down transitions or system noise.

Low V_{CC} Write Inhibit

To avoid initiation of a write cycle during V_{CC} power-up and power-down, a write cycle is locked out for V_{CC} less than 3.2 V (typically 3.7 V). If $V_{\text{CC}} < V_{\text{LKO}}$, the command register is disabled and all internal program/erase circuits are disabled. Under this condition the device will reset to the read mode. Subsequent writes will be ignored until the V_{CC} level is greater than V_{LKO} . It is the users responsibility to ensure that the control pins are logically correct to prevent unintentional writes when V_{CC} is above 3.2 V.

Write Pulse “Glitch” Protection

Noise pulses of less than 5 ns (typical) on $\overline{\text{OE}}$, $\overline{\text{CE}}$, or $\overline{\text{WE}}$ will not initiate a write cycle.

Logical Inhibit

Writing is inhibited by holding any one of $\overline{\text{OE}} = V_{\text{IL}}$, $\overline{\text{CE}} = V_{\text{IH}}$ or $\overline{\text{WE}} = V_{\text{IH}}$. To initiate a write cycle $\overline{\text{CE}}$ and $\overline{\text{WE}}$ must be a logical zero while $\overline{\text{OE}}$ is a logical one.

Power-Up Write Inhibit

Power-up of the device with $\overline{\text{WE}} = \overline{\text{CE}} = V_{\text{IL}}$ and $\overline{\text{OE}} = V_{\text{IH}}$ will not accept commands on the rising edge of $\overline{\text{WE}}$. The internal state machine is automatically reset to the read mode on power-up.

■ ABSOLUTE MAXIMUM RATINGS

Parameter	Symbol	Rating		Unit
		Min	Max	
Storage Temperature	T _{stg}	-55	+125	°C
Ambient Temperature with Power Applied	T _A	-40	+85	°C
Voltage with Respect to Ground All pins except A ₉ , \overline{OE} , and \overline{RESET} *1,*2	V _{IN} , V _{OUT}	-2.0	+7.0	V
Power Supply Voltage *1	V _{CC}	-2.0	+7.0	V
A ₉ , \overline{OE} , and \overline{RESET} *1,*3	V _{IN}	-2.0	+13.5	V

*1 : Voltage is defined on the basis of V_{SS} = GND = 0 V.

*2 : Minimum DC voltage on input or I/O pins is -0.5 V. During voltage transitions, input or I/O pins may undershoot V_{SS} to -2.0 V for periods of up to 20 ns. Maximum DC voltage on output and I/O pins is V_{CC} +0.5 V. During voltage transitions, outputs may overshoot to V_{CC} +2.0 V for periods up to 20 ns.

*3 : Minimum DC input voltage on A₉, \overline{OE} , and \overline{RESET} pins are -0.5 V. During voltage transitions, A₉, \overline{OE} , and \overline{RESET} pins may undershoot V_{SS} to -2.0 V for periods of up to 20 ns. Voltage difference between input and power supply voltage (V_{IN} - V_{CC}) does not exceed +9.0 V. Maximum DC input voltage on A₉, \overline{OE} , and \overline{RESET} are +13.0 V which may overshoot to +14.0 V for periods up to 20 ns.

WARNING: Semiconductor devices can be permanently damaged by application of stress (voltage, current, temperature, etc.) in excess of absolute maximum ratings. Do not exceed these ratings.

■ RECOMMENDED OPERATING CONDITIONS

Parameter		Symbol	Value		Unit
			Min	Max	
Ambient Temperature	MBM29F016A-70	T _A	-20	+70	°C
	MBM29F016A-90/-12		-40	+85	
Power Supply Voltages*	MBM29F016A-70	V _{CC}	+4.75	+5.25	V
	MBM29F016A-90/-12		+4.50	+5.50	V

* : Voltage is defined on the basis of V_{SS} = GND = 0 V.

Note : Operating ranges define those limits between which the functionality of the device is guaranteed.

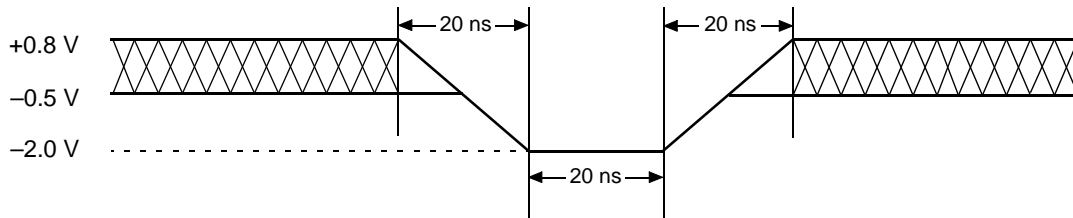
WARNING: The recommended operating conditions are required in order to ensure the normal operation of the semiconductor device. All of the device's electrical characteristics are warranted when the device is operated within these ranges.

Always use semiconductor devices within their recommended operating condition ranges. Operation outside these ranges may adversely affect reliability and could result in device failure.

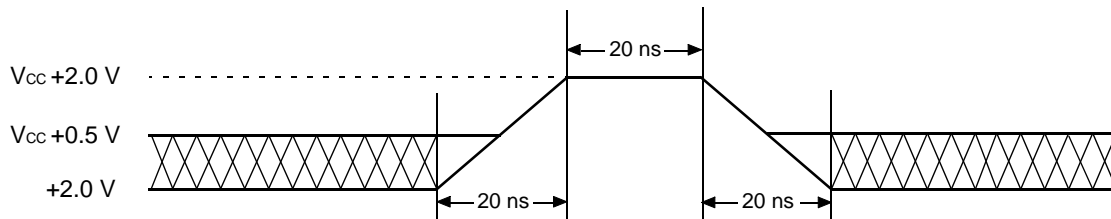
No warranty is made with respect to uses, operating conditions, or combinations not represented on the data sheet. Users considering application outside the listed conditions are advised to contact their FUJITSU representatives beforehand.

■ MAXIMUM OVERSHOOT / MAXIMUM UNDERSHOOT

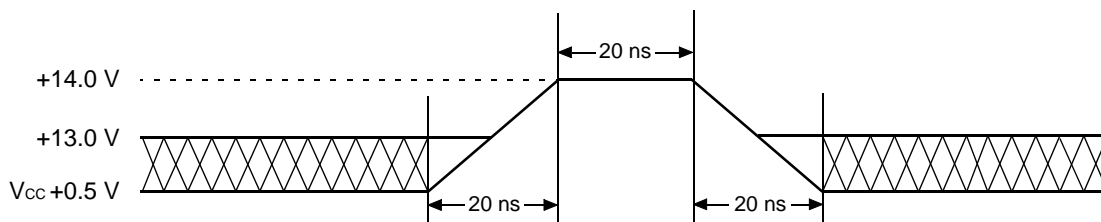
1. Maximum Undershoot Waveform



2. Maximum Overshoot Waveform 1



3. Maximum Overshoot Waveform 2



Note : This waveform is applied for A_9 , \overline{OE} and \overline{RESET} .

■ DC CHARACTERISTICS

Parameter	Symbol	Test Conditions	Min	Max	Unit
Input Leakage Current	I_{LI}	$V_{IN} = V_{SS} \text{ to } V_{CC}, V_{CC} = V_{CC} \text{ Max}$	—	± 1.0	μA
Output Leakage Current	I_{LO}	$V_{OUT} = V_{SS} \text{ to } V_{CC}, V_{CC} = V_{CC} \text{ Max}$	—	± 1.0	μA
$A_9, \overline{OE}, \overline{RESET}$ Inputs Leakage Current	I_{LIT}	$V_{CC} = V_{CC} \text{ Max}, A_9, \overline{OE}, \overline{RESET} = 12.5 \text{ V}$	—	50	μA
V_{CC} Active Current *1	I_{CC1}	$\overline{CE} = V_{IL}, \overline{OE} = V_{IH}$	—	40	mA
V_{CC} Active Current *2	I_{CC2}	$\overline{CE} = V_{IL}, \overline{OE} = V_{IH}$	—	45	mA
V_{CC} Current (Standby)	I_{CC3}	$V_{CC} = V_{CC} \text{ Max}, \overline{CE} = V_{IH}, \overline{RESET} = V_{IH}$	—	1	mA
		$V_{CC} = V_{CC} \text{ Max}, \overline{CE} = V_{CC} \pm 0.3 \text{ V}, \overline{RESET} = V_{CC} \pm 0.3 \text{ V}$	—	5	μA
V_{CC} Current (Standby, Reset)	I_{CC4}	$V_{CC} = V_{CC} \text{ Max}, \overline{RESET} = V_{IL}$	—	1	mA
		$V_{CC} = V_{CC} \text{ Max}, \overline{RESET} = V_{SS} \pm 0.3 \text{ V}$	—	5	μA
Input Low Level	V_{IL}	—	-0.5	0.8	V
Input High Level	V_{IH}	—	2.0	$V_{CC} + 0.5$	V
Voltage for Autoselect and Sector Protection ($A_9, \overline{OE}, \overline{RESET}$) *3, *4	V_{ID}	—	11.5	12.5	V
Output Low Voltage Level	V_{OL}	$I_{OL} = 12.0 \text{ mA}, V_{CC} = V_{CC} \text{ Min}$	—	0.45	V
Output High Voltage Level	V_{OH1}	$I_{OH} = -2.5 \text{ mA}, V_{CC} = V_{CC} \text{ Min}$	2.4	—	V
	V_{OH2}	$I_{OH} = -100 \mu\text{A}$	$V_{CC} - 0.4$	—	V
Low V_{CC} Lock-Out Voltage	V_{LKO}	—	3.2	4.2	V

*1 : The I_{CC} current listed includes both the DC operating current and the frequency dependent component (at 6 MHz). The frequency component typically is 2 mA/MHz, with \overline{OE} at V_{IH} .

*2 : I_{CC} active while Embedded Algorithm (program or erase) is in progress.

*3 : Applicable to sector protection function.

*4 : ($V_{ID} - V_{CC}$) do not exceed 9 V.

AC CHARACTERISTICS

Read Only Operations Characteristics

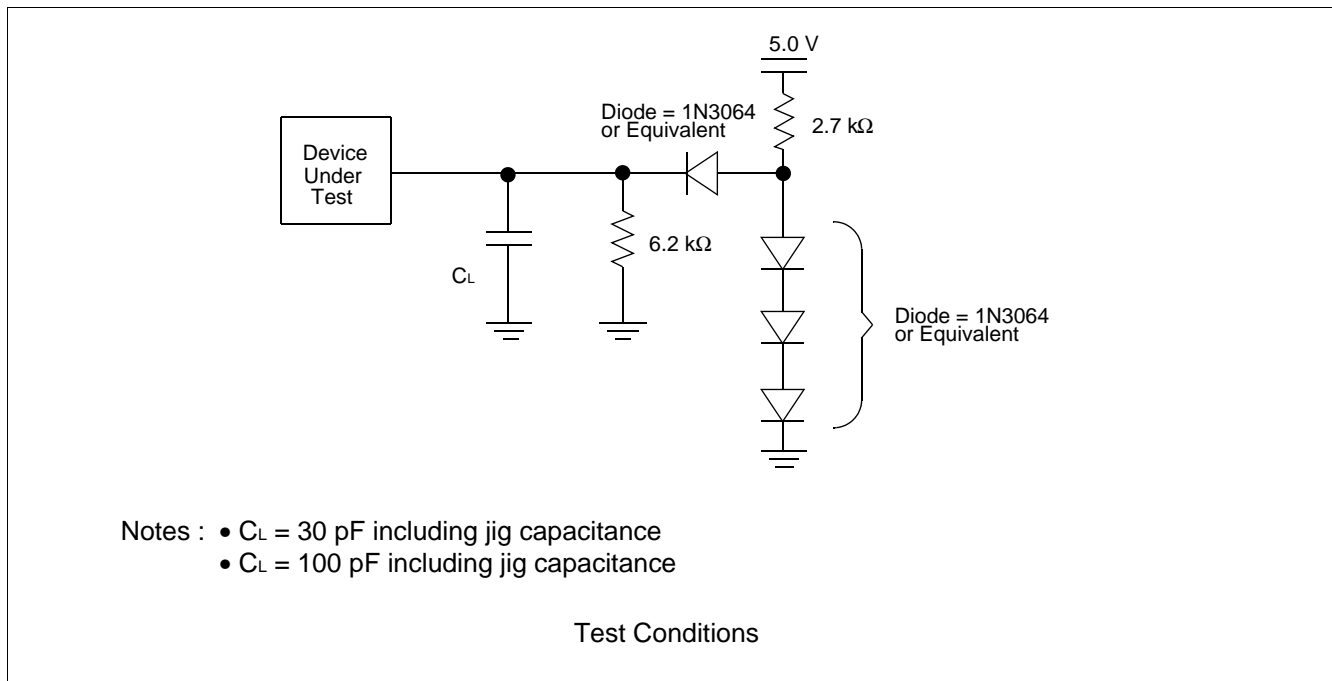
Parameter	Symbol		Test Setup	-70 *1		-90 *2		-12 *2		Unit
	JEDEC	Standard		Min	Max	Min	Max	Min	Max	
Read Cycle Time	t _{AVAV}	t _{RC}	—	70	—	90	—	120	—	ns
Address to Output Delay	t _{AVQV}	t _{ACC}	$\overline{CE} = V_{IL}$ $\overline{OE} = V_{IL}$	—	70	—	90	—	120	ns
Chip Enable to Output Delay	t _{ELQV}	t _{CE}	$\overline{OE} = V_{IL}$	—	70	—	90	—	120	ns
Output Enable to Output Delay	t _{GLQV}	t _{OE}	—	—	40	—	40	—	50	ns
Chip Enable to Output High-Z	t _{EHQZ}	t _{DF}	—	—	20	—	20	—	30	ns
Output Enable to Output High-Z	t _{GHQZ}	t _{DF}	—	—	20	—	20	—	30	ns
Output Hold Time From Addresses, \overline{CE} or \overline{OE} , whichever occurs first	t _{AXQX}	t _{OH}	—	0	—	0	—	0	—	ns
\overline{RESET} Pin Low to Read Mode	—	t _{READY}	—	—	20	—	20	—	20	μs

*1 : Test Conditions:

Output Load: 1 TTL gate and 30 pF
 Input rise and fall times: 5 ns
 Input pulse levels: 0.0 V or 3.0 V
 Timing measurement reference level
 Input: 1.5 V
 Output: 1.5 V

*2 : Test Conditions:

Output Load: 1 TTL gate and 100 pF
 Input rise and fall times: 5 ns
 Input pulse levels: 0.45 V or 2.4 V
 Timing measurement reference level
 Input: 0.8 V and 2.0 V
 Output: 0.8 V and 2.0 V



• Write/Erase/Program Operations

Parameter	Symbol		MBM29F016A									Unit
	JEDEC	Standard	-70			-90			-12			
			Min	Typ	Max	Min	Typ	Max	Min	Typ	Max	
Write Cycle Time	t _{AVAV}	t _{WC}	70	—	—	90	—	—	120	—	—	ns
Address Setup Time	t _{AVWL}	t _{AS}	0	—	—	0	—	—	0	—	—	ns
Address Hold Time	t _{WLAX}	t _{AH}	45	—	—	45	—	—	50	—	—	ns
Data Setup Time	t _{DVWH}	t _{DS}	30	—	—	45	—	—	50	—	—	ns
Data Hold Time	t _{WHDX}	t _{DH}	0	—	—	0	—	—	0	—	—	ns
Output Enable Setup Time	—	t _{OES}	0	—	—	0	—	—	0	—	—	ns
Output Enable Hold Time	Read	t _{OEH}	0	—	—	0	—	—	0	—	—	ns
	Toggle Bit I and $\overline{\text{Data}}$ Polling		10	—	—	10	—	—	10	—	—	ns
Read Recover Time Before Write	t _{GHWL}	t _{GHWL}	0	—	—	0	—	—	0	—	—	ns
Read Recover Time Before Write	t _{GHEL}	t _{GHEL}	0	—	—	0	—	—	0	—	—	ns
$\overline{\text{CE}}$ Setup Time	t _{ELWL}	t _{CS}	0	—	—	0	—	—	0	—	—	ns
$\overline{\text{WE}}$ Setup Time	t _{WLEL}	t _{WS}	0	—	—	0	—	—	0	—	—	ns
$\overline{\text{CE}}$ Hold Time	t _{WHEH}	t _{CH}	0	—	—	0	—	—	0	—	—	ns
$\overline{\text{WE}}$ Hold Time	t _{EHWH}	t _{WH}	0	—	—	0	—	—	0	—	—	ns
Write Pulse Width	t _{WLWH}	t _{WP}	35	—	—	45	—	—	50	—	—	ns
Write Pulse Width	t _{LEH}	t _{CP}	35	—	—	45	—	—	50	—	—	ns
Write Pulse Width High	t _{WHWL}	t _{WPH}	20	—	—	20	—	—	20	—	—	ns
Write Pulse Width High	t _{EHEL}	t _{CPH}	20	—	—	20	—	—	20	—	—	ns
Byte Programming Operation	t _{WHWH1}	t _{WHWH1}	—	8	—	—	8	—	—	8	—	μs
Sector Erase Operation *1	t _{WHWH2}	t _{WHWH2}	—	1	—	—	1	—	—	1	—	s
			—	—	8	—	—	8	—	—	8	s
V _{CC} Setup Time	—	t _{VCS}	50	—	—	50	—	—	50	—	—	μs
Voltage Transition Time *2	—	t _{VLHT}	4	—	—	4	—	—	4	—	—	μs
Write Pulse Width *2	—	t _{WPP}	100	—	—	100	—	—	100	—	—	μs
$\overline{\text{OE}}$ Setup Time to $\overline{\text{WE}}$ Active *2	—	t _{OESP}	4	—	—	4	—	—	4	—	—	μs
$\overline{\text{CE}}$ Setup Time to $\overline{\text{WE}}$ Active *2	—	t _{CSP}	4	—	—	4	—	—	4	—	—	μs
Recover Time from RY/ $\overline{\text{BY}}$	—	t _{RB}	0	—	—	0	—	—	0	—	—	ns
$\overline{\text{RESET}}$ Pulse Width	—	t _{RP}	500	—	—	500	—	—	500	—	—	ns
$\overline{\text{RESET}}$ Hold Time Before Read	—	t _{RH}	50	—	—	50	—	—	50	—	—	ns
Program/Erase Valid to RY/ $\overline{\text{BY}}$ Delay	—	t _{BUSY}	—	—	70	—	—	90	—	—	120	ns
Delay Time from Embedded Output Time	—	t _{EOE}	—	—	40	—	—	40	—	—	50	ns

*1 : This does not include the preprogramming time.

*2 : This timing is for Sector Protection operation.

■ ERASE AND PROGRAMMING PERFORMANCE

Parameter	Limits			Unit	Comments
	Min	Typ	Max		
Sector Erase Time	—	1	8	s	Excludes 00h programming prior to erasure
Byte Programming Time	—	8	150	μs	Excludes system-level overhead
Chip Programming Time	—	16.8	40	s	Excludes system-level overhead
Erase/Program Cycle	100,000	—	—	cycle	




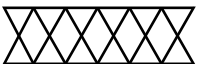

■ TSOP(1) PIN CAPACITANCE

Parameter Symbol	Parameter Description	Test Setup	Typ	Max	Unit
C _{IN}	Input Capacitance	V _{IN} = 0	8	10	pF
C _{OUT}	Output Capacitance	V _{OUT} = 0	8	10	pF
C _{IN2}	Control Pin Capacitance	V _{IN} = 0	9	10	pF

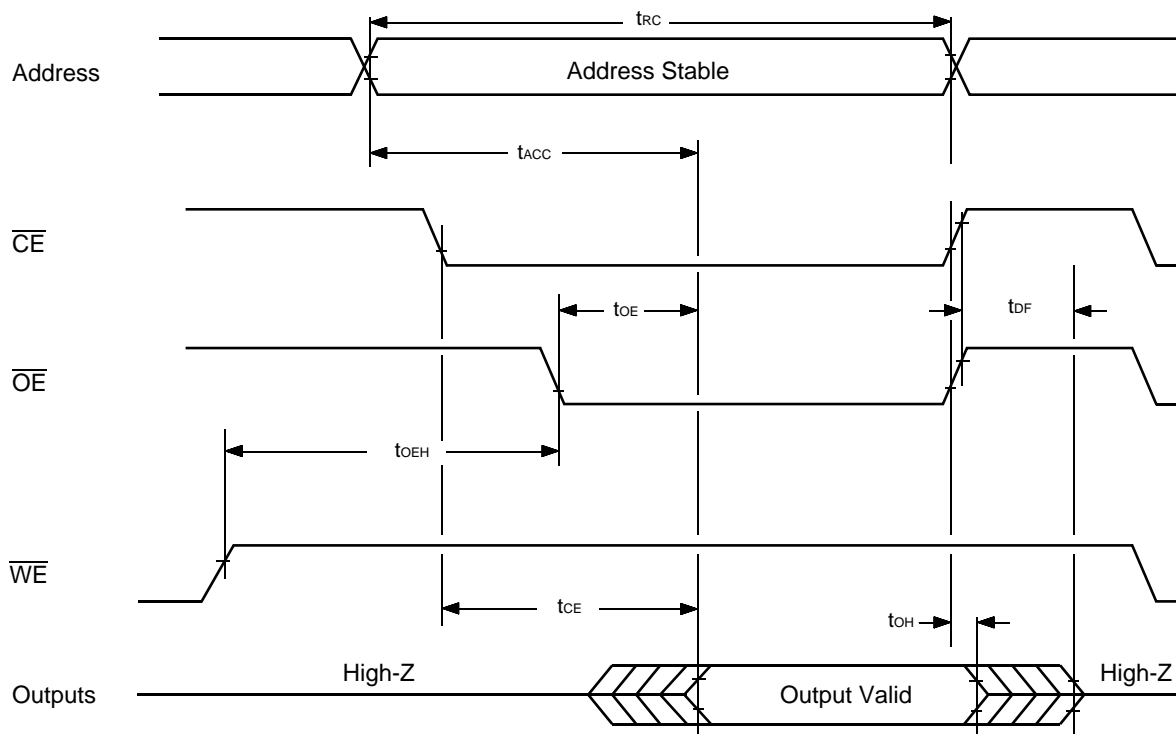
Note : Test conditions T_A = +25°C, f = 1.0 MHz

TIMING DIAGRAM

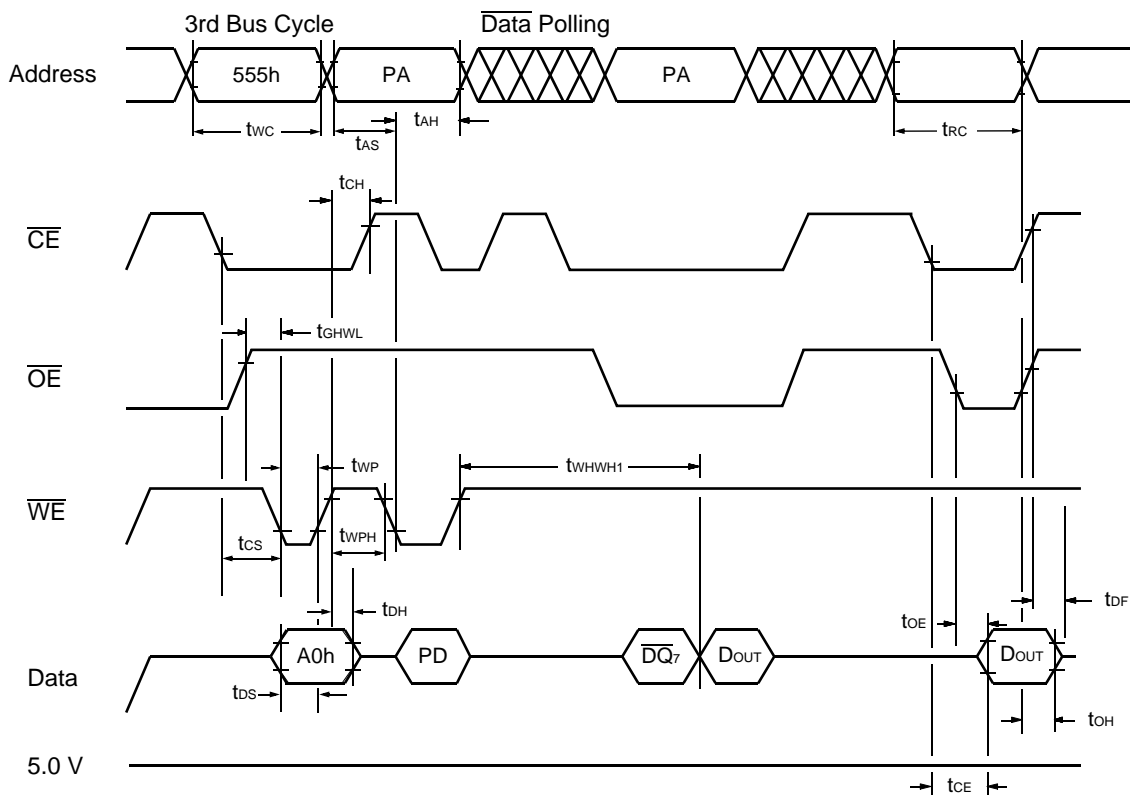
Key to Switching Waveforms

WAVEFORM	INPUTS	OUTPUTS
	Must Be Steady	Will Be Steady
	May Change from H to L	Will Be Changing from H to L
	May Change from L to H	Will Be Changing from L to H
	"H" or "L" Any Change Permitted	Changing, State Unknown
	Does Not Apply	Center Line is High-Impedance "Off" State

(1) AC Waveforms for Read Operations

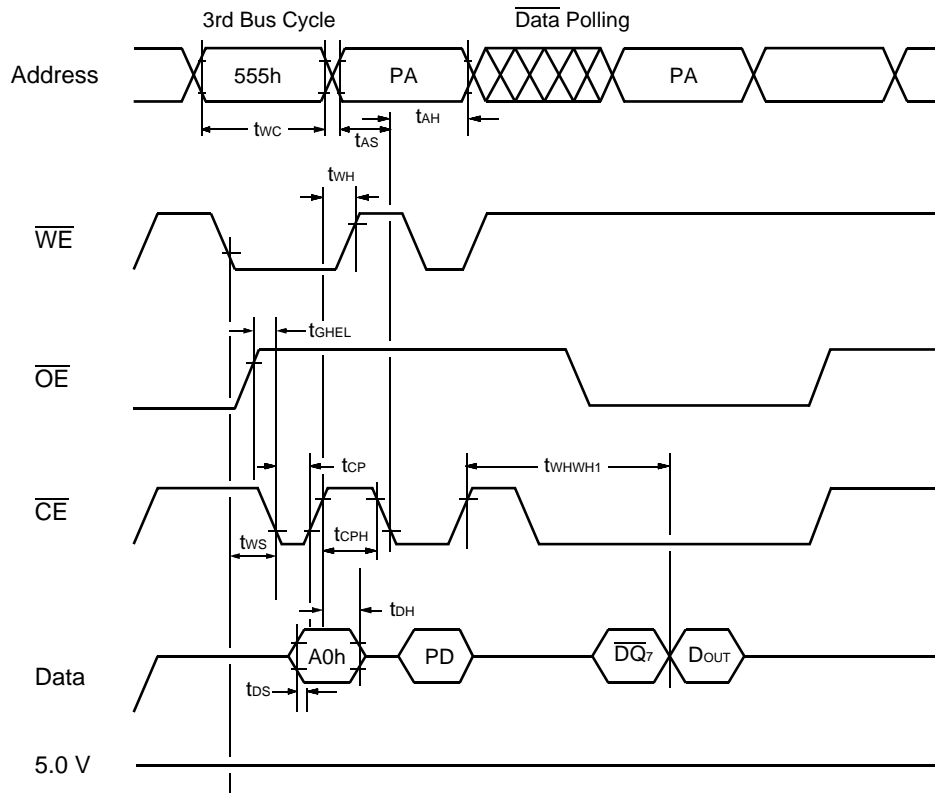


(2) AC Waveforms for Alternate \overline{WE} Controlled Program Operations



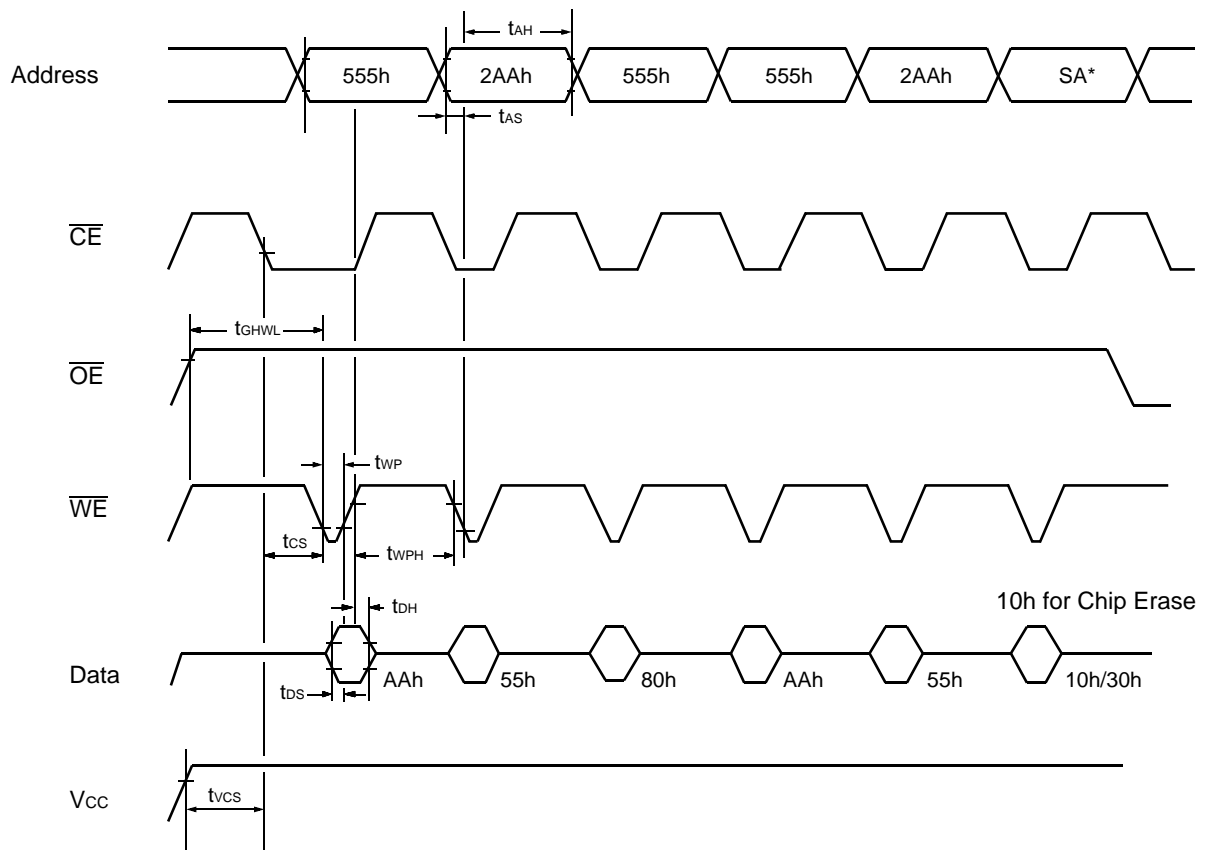
- Notes :
- PA is address of the memory location to be programmed.
 - \overline{PD} is data to be programmed at byte address.
 - \overline{DQ}_7 is the output of the complement of the data written to the device.
 - \overline{DOUT} is the output of the data written to the device.
 - Figure indicates last two bus cycles of four bus cycle sequence.

(3) AC Waveforms for Alternate $\overline{\text{CE}}$ Controlled Program Operations



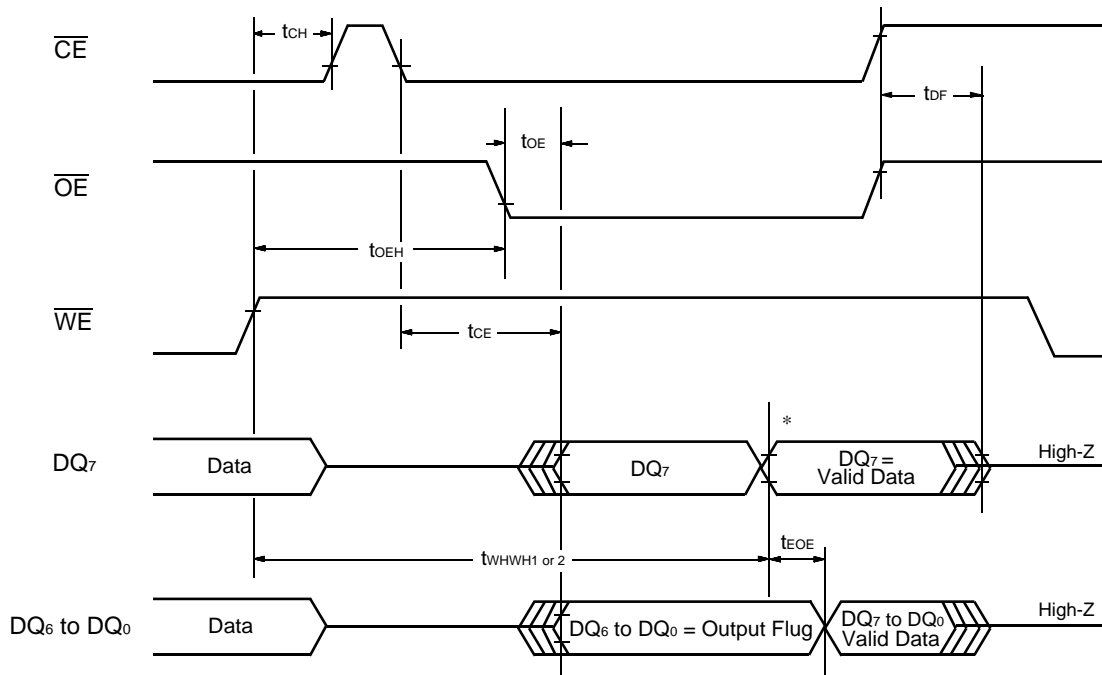
- Notes :
- PA is address of the memory location to be programmed.
 - PD is data to be programmed at byte address.
 - $\overline{\text{DQ}}_7$ is the output of the complement of the data written to the device.
 - D_{OUT} is the output of the data written to the device.
 - Figure indicates last two bus cycles of four bus cycle sequence.

(4) AC Waveforms Chip/Sector Erase Operations



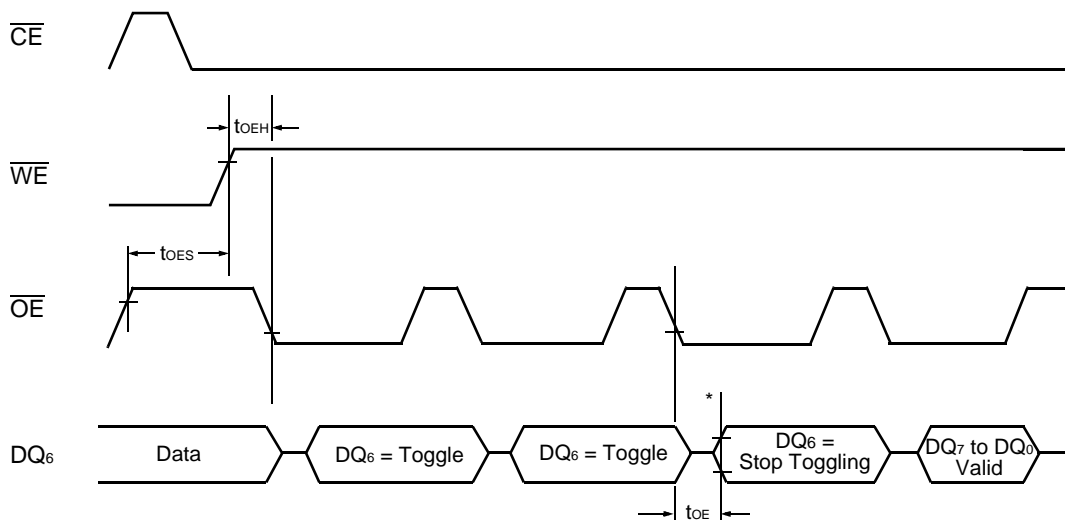
* : SA is the sector address for Sector Erase. Address = 555h for Chip Erase.

(5) AC Waveforms for Data Polling during Embedded Algorithm Operations



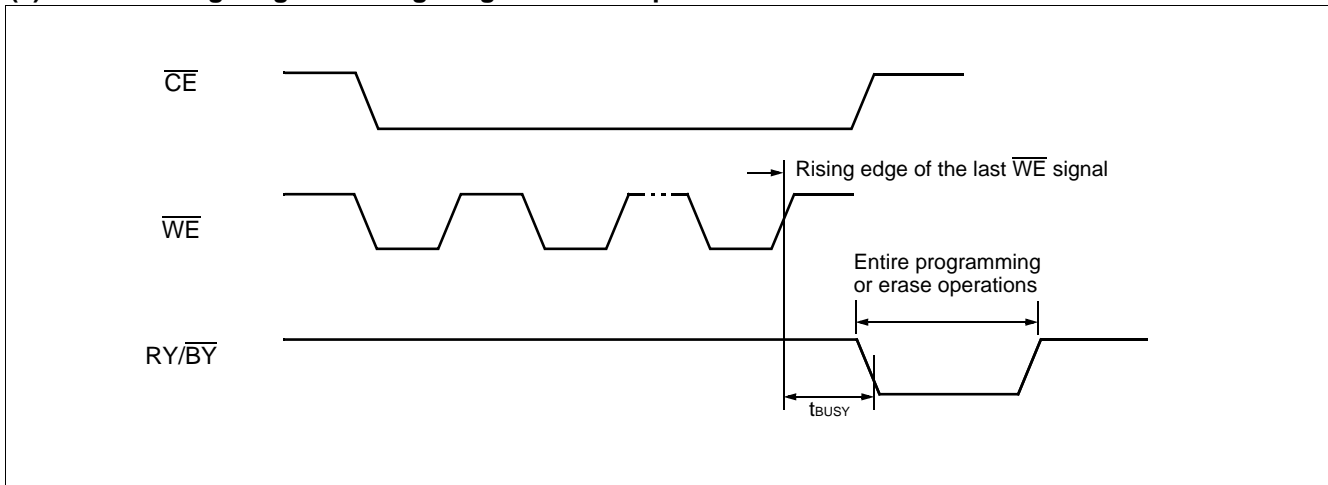
* : DQ7 = Valid Data (The device has completed the Embedded operation.)

(6) AC Waveforms for Toggle Bit I during Embedded Algorithm Operations

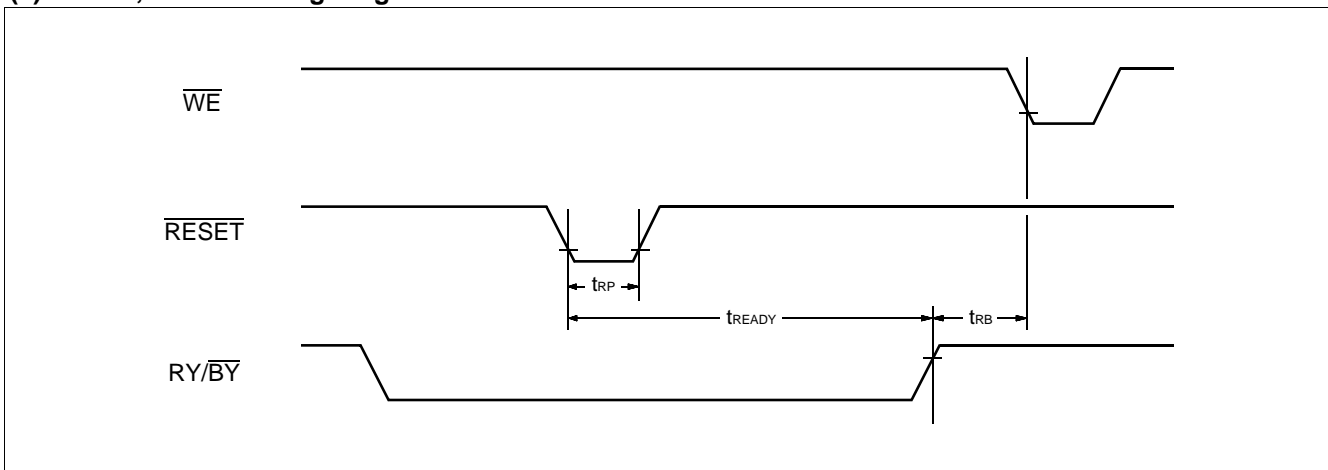


* : DQ6 stops toggling (The device has completed the Embedded operation.)

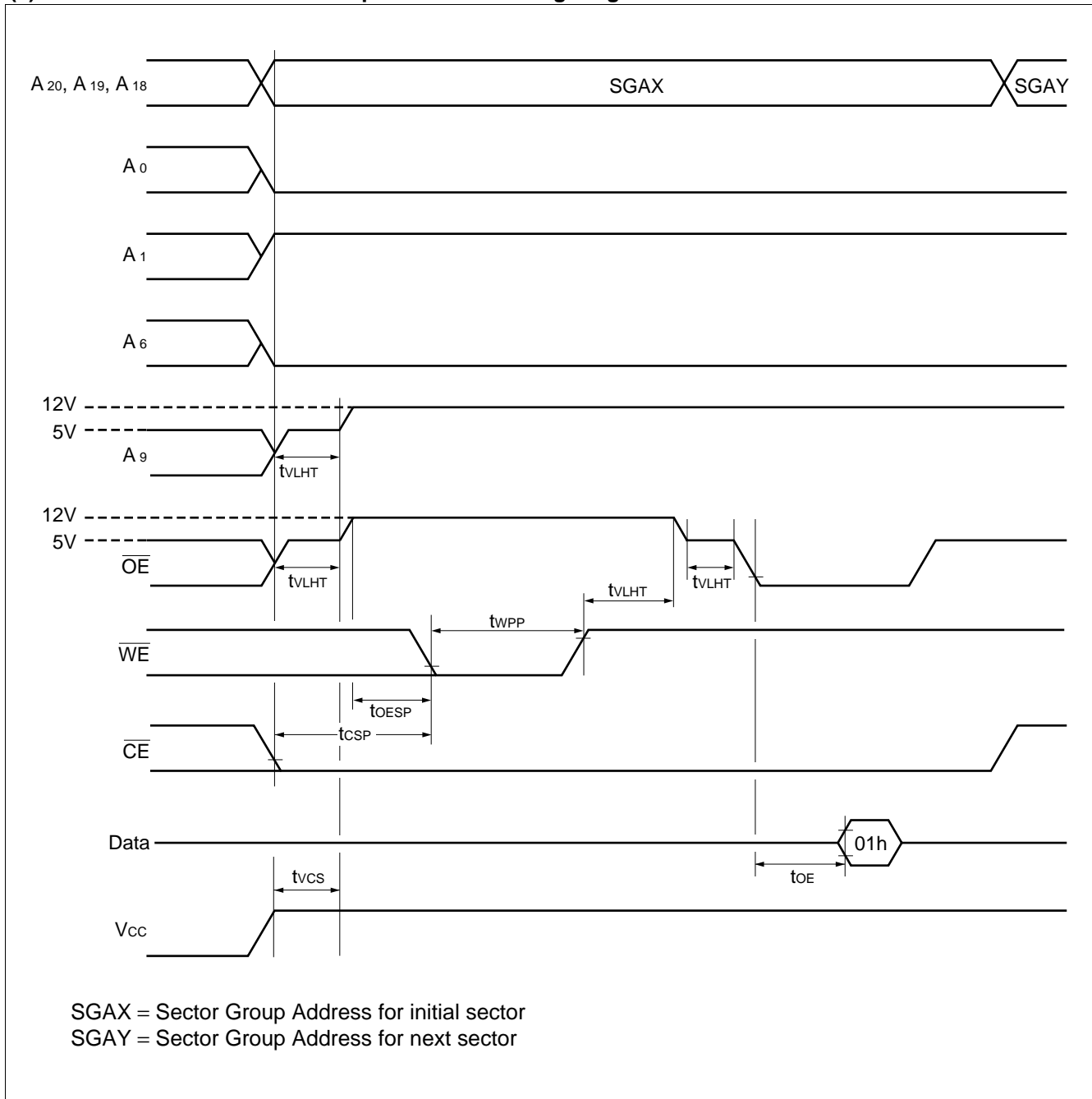
(7) RY/BY Timing Diagram during Program/Erase Operations



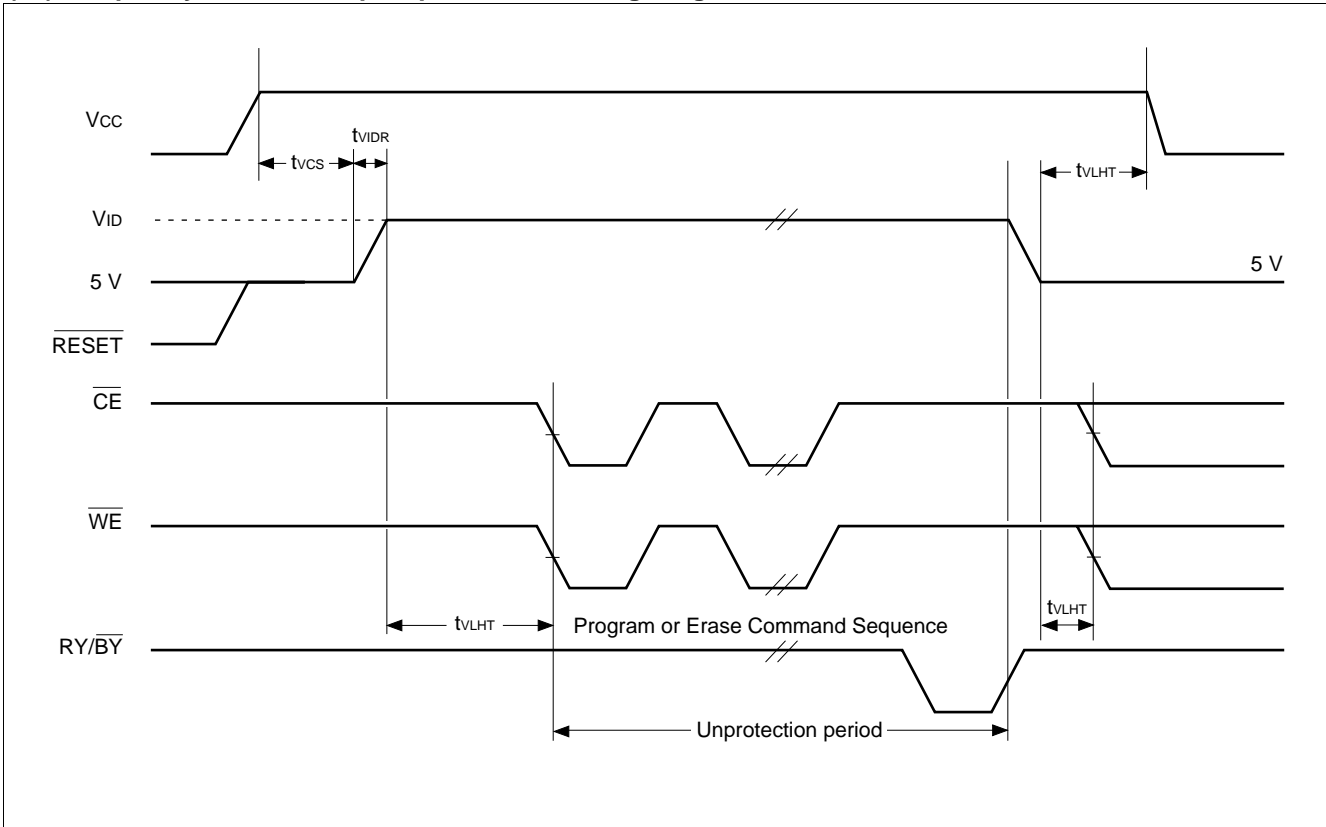
(8) \overline{RESET} , RY/BY Timing Diagram



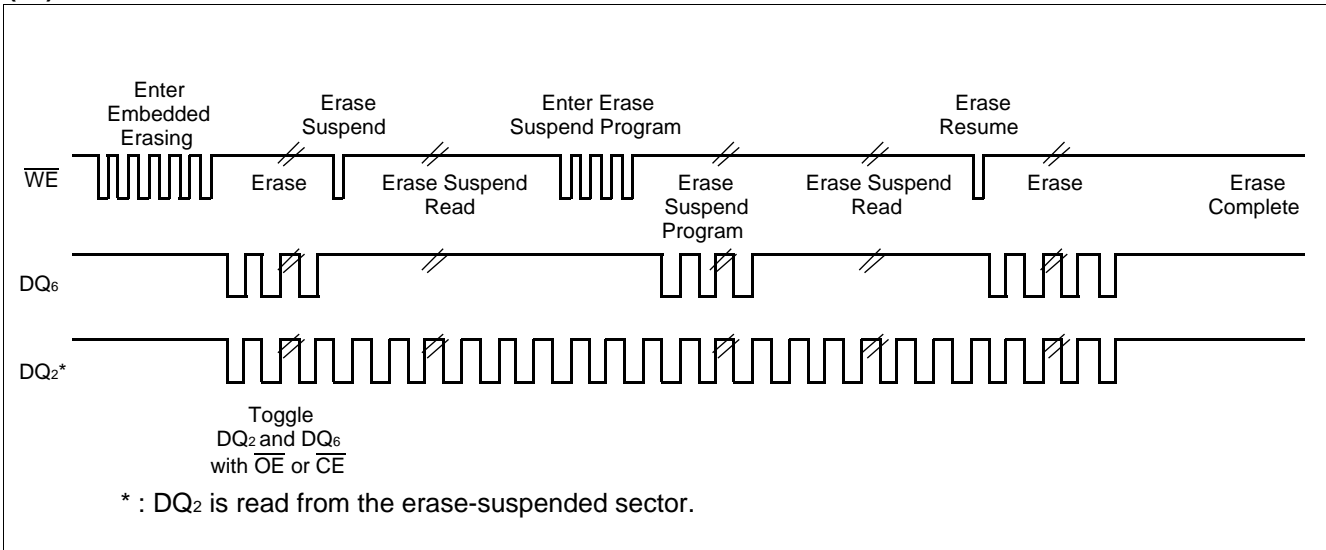
(9) AC Waveforms for Sector Group Protection Timing Diagram



(10) Temporary Sector Group Unprotection Timing Diagram

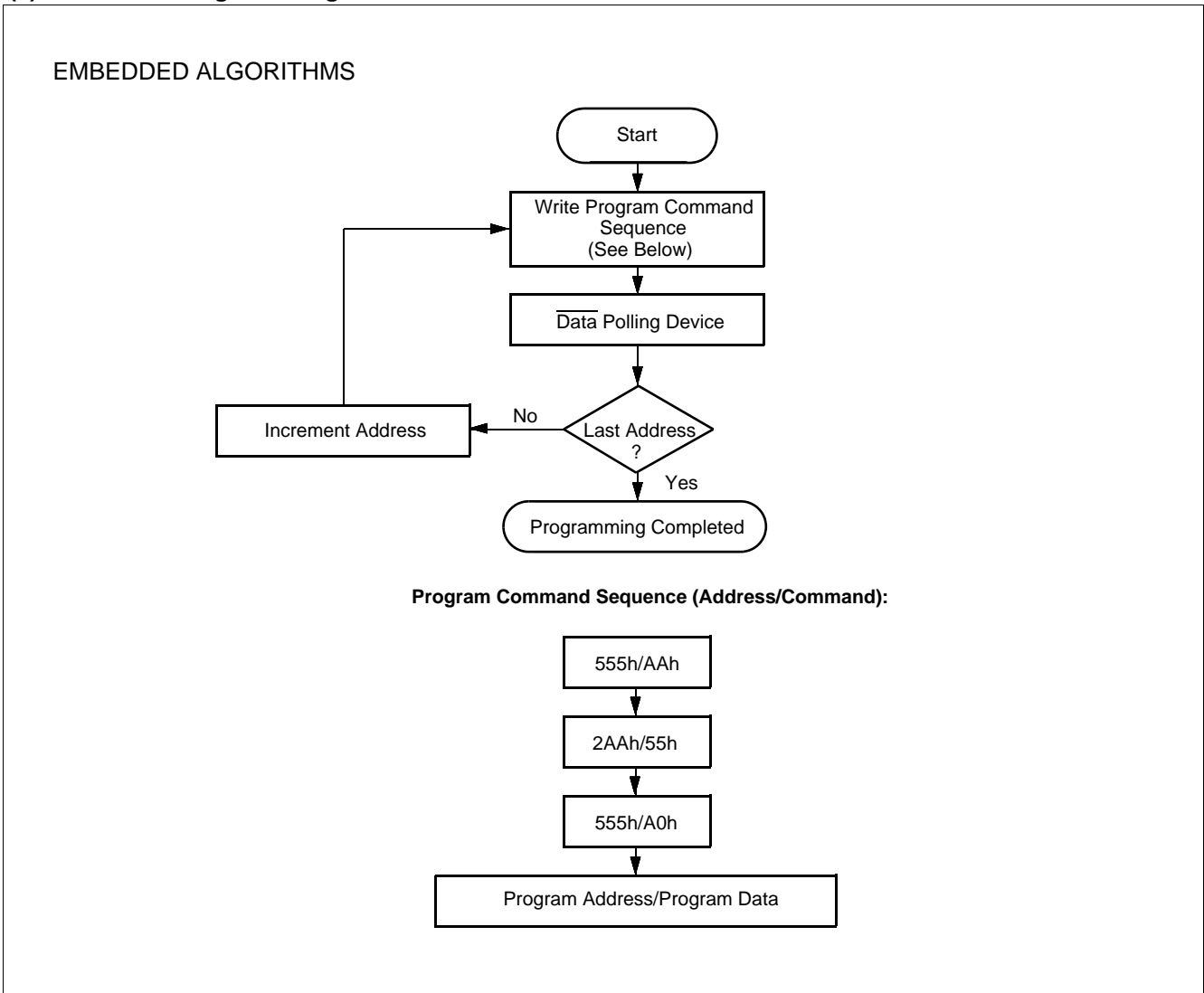


(11) DQ₂ vs. DQ₆

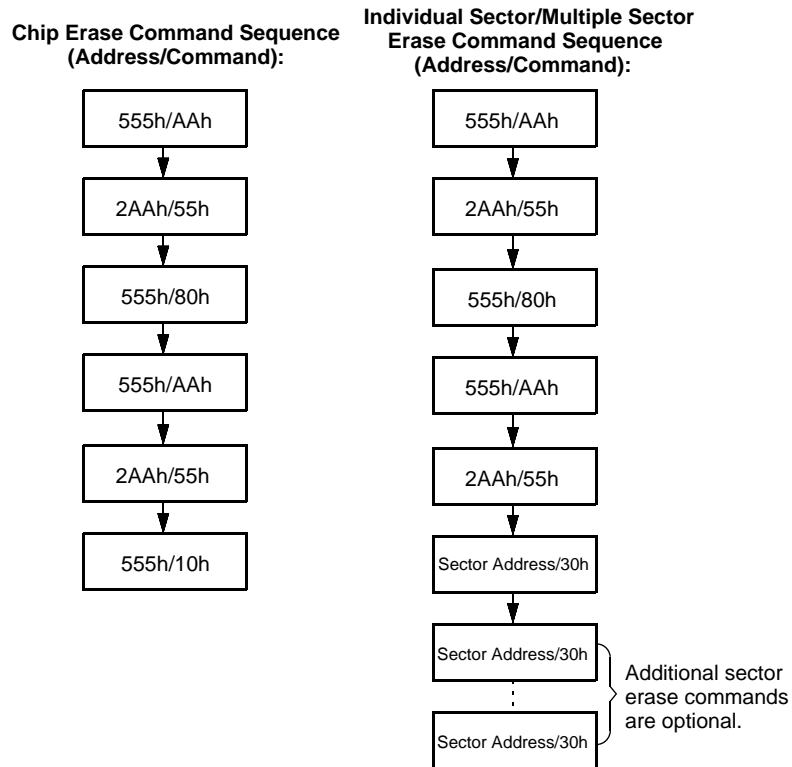
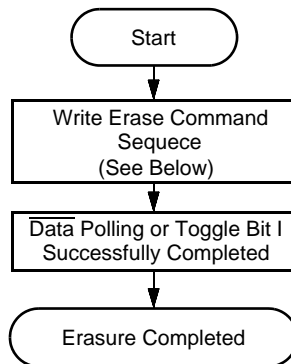


■ FLOW CHART

(1) Embedded Program™ Algorithm

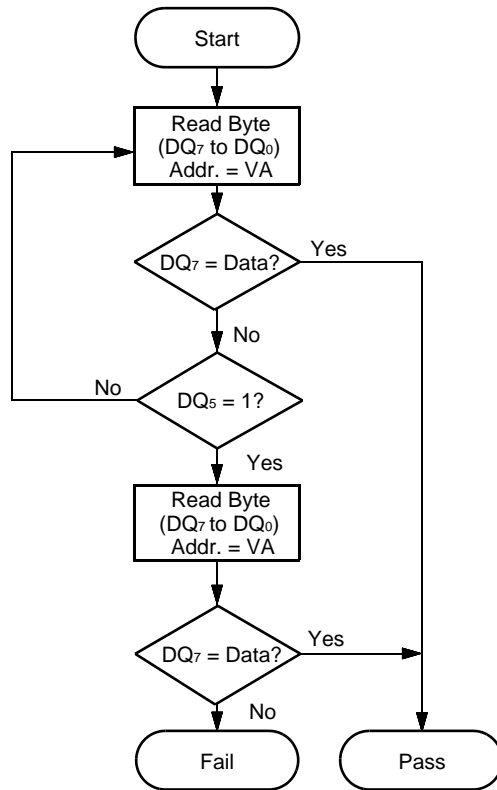


(2) Embedded Erase™ Algorithm



Note : To insure the command has been accepted, the system software should check the status of DQ₃ prior to and following each subsequent sector erase command. If DQ₃ were high on the second status check, the command may not have been accepted.

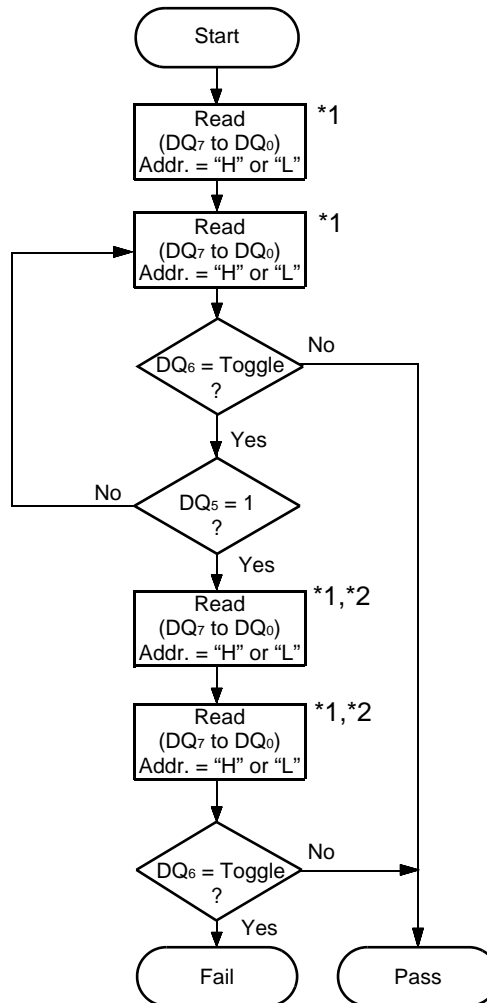
(3) Data Polling Algorithm



VA = Address for programming
 = Any of the sector addresses within the sector being erased during sector erase or multiple erases operation.
 = Any of the sector group addresses within the sector not being protected during sector erase or multiple sector erases operation.

Note : DQ₇ is rechecked even if DQ₅ = "1" because DQ₇ may change simultaneously with DQ₅.

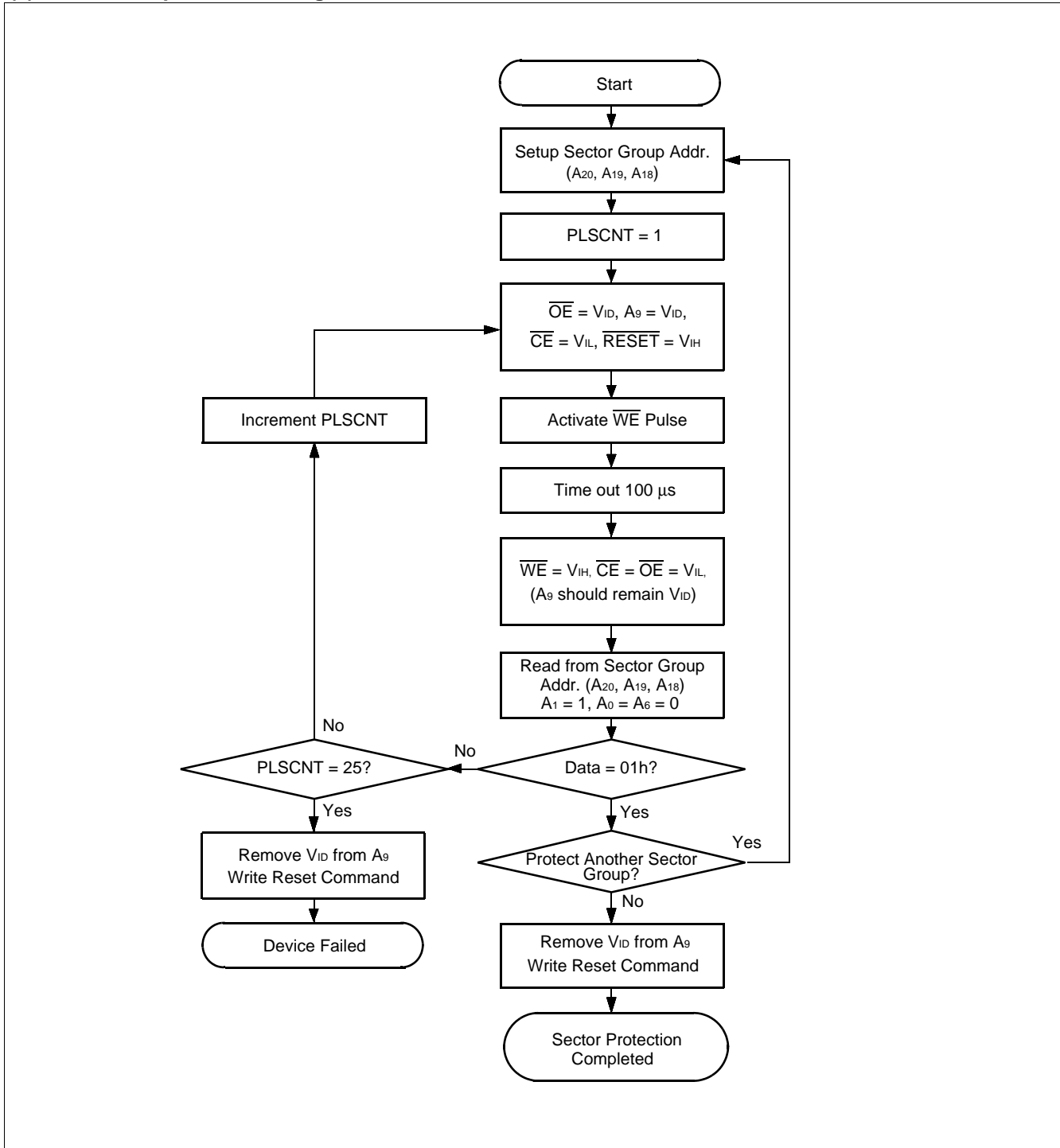
(4) Toggle Bit I Algorithm



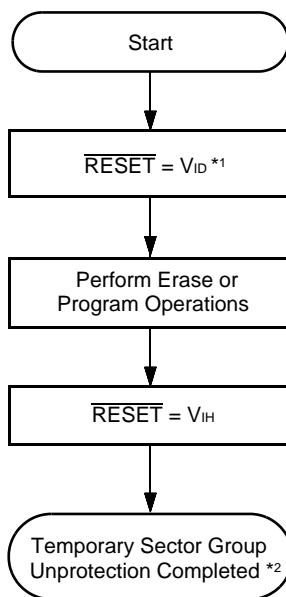
*1: Read toggle bit twice to determine whether it is toggling.

*2: DQ₆ is rechecked even if DQ₅ = "1" because DQ₆ may stop toggling at the same time as DQ₅ changing to "1".

(5) Sector Group Protection Algorithm



(6) Temporary Sector Group Unprotection Algorithm



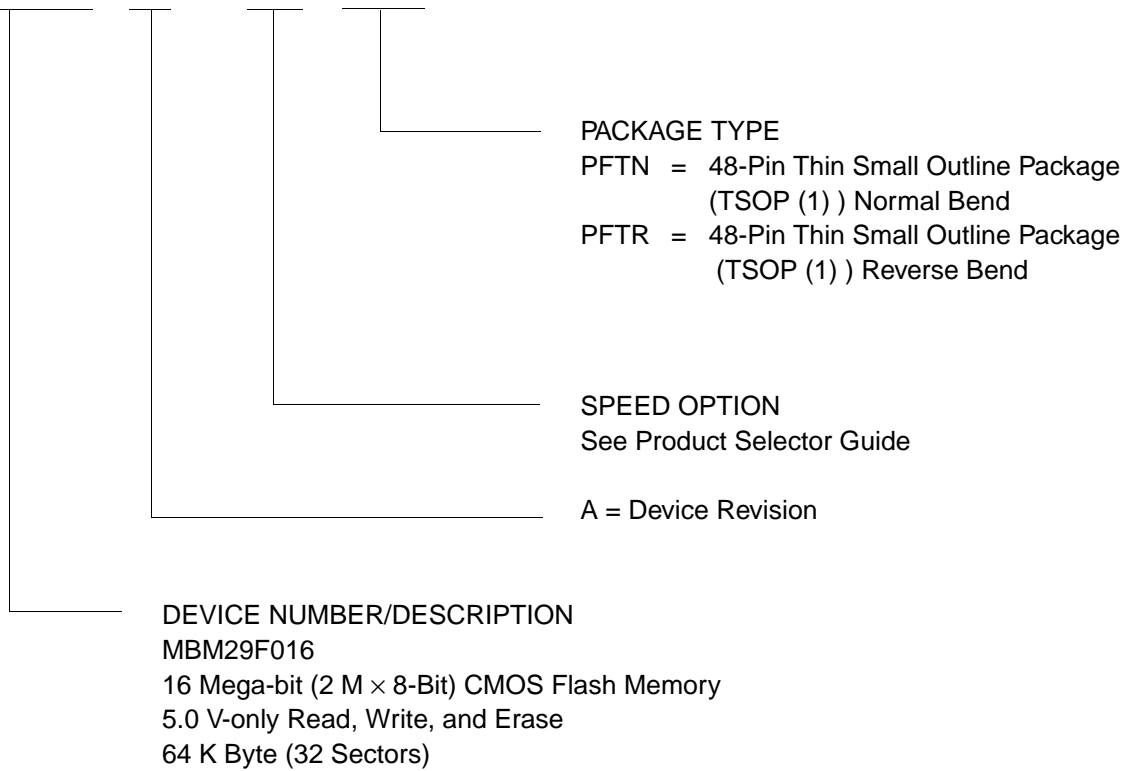
*1 : All Protected sector groups unprotected.

*2 : All previously protected sector groups are protected once again.

ORDERING INFORMATION

Part No.	Package	Access Time (ns)	Remarks
MBM29F016A-70PFTN	48-pin plastic TSOP (1) (FPT-48P-M19) (Normal Bend)	70	
MBM29F016A-90PFTN		90	
MBM29F016A-12PFTN		120	
MBM29F016A-70PFTR	48-pin plastic TSOP (1) (FPT-48P-M20) (Reverse Bend)	70	
MBM29F016A-90PFTR		90	
MBM29F016A-12PFTR		120	

MBM29F016 A -70 PFTN



MBM29F016A-70/-90/-12

PACKAGE DIMENSIONS

48-pin plastic TSOP(1)
(FPT-48P-M19)

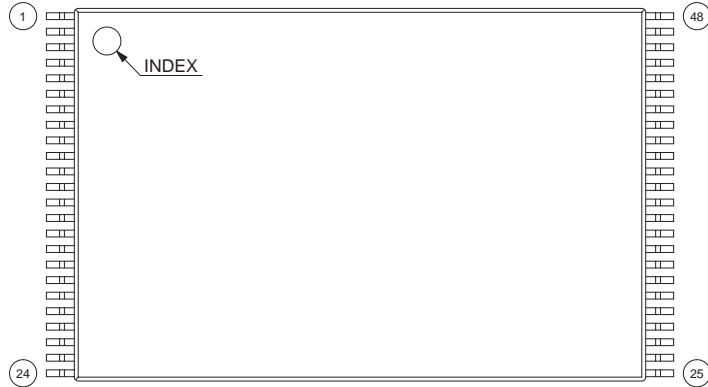
Note 1) * : Values do not include resin protrusion.

Resin protrusion and gate protrusion are +0.15 (.006) Max (each side) .

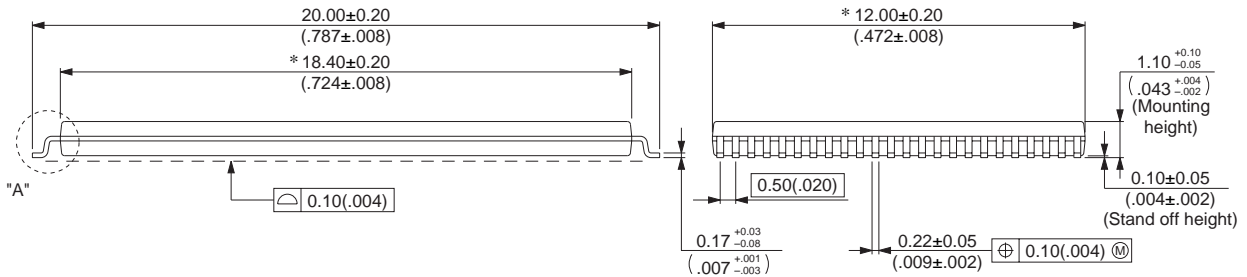
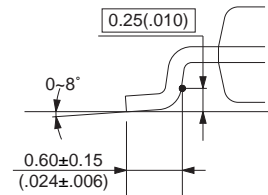
Note 2) Pins width and pins thickness include plating thickness.

Note 3) Pins width do not include tie bar cutting remainder.

LEAD No.



Details of "A" part



© 2003 FUJITSU LIMITED F48029S-c-6-7

Dimensions in mm (inches) .

Note : The values in parentheses are reference values.

(Continued)

(Continued)

48-pin plastic TSOP(1)
(FPT-48P-M20)

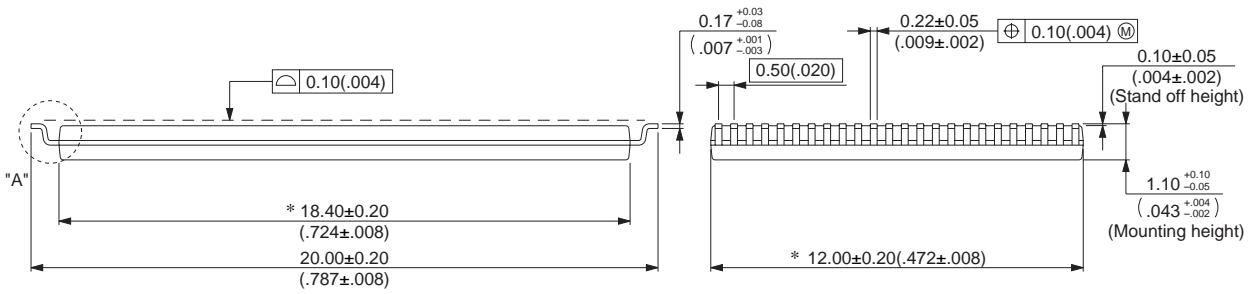
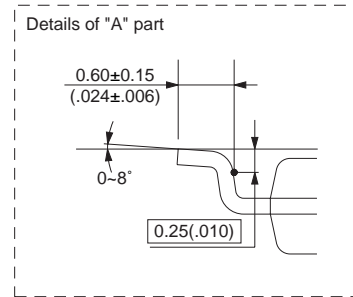
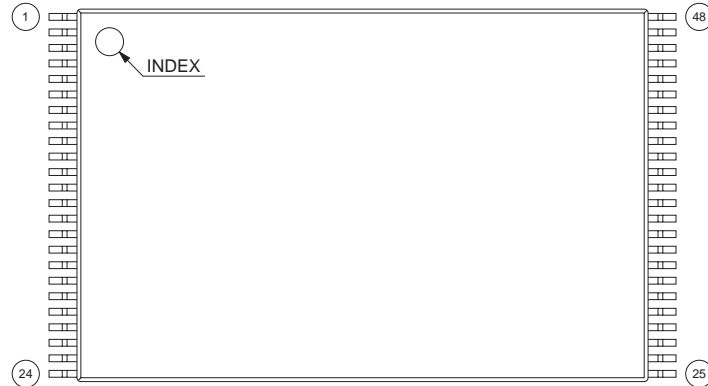
Note 1) * : Values do not include resin protrusion.

Resin protrusion and gate protrusion are +0.15 (.006) Max (each side) .

Note 2) Pins width and pins thickness include plating thickness.

Note 3) Pins width do not include tie bar cutting remainder.

LEAD No.



© 2003 FUJITSU LIMITED F48030S-c-6-7

Dimensions in mm (inches) .

Note : The values in parentheses are reference values.

FUJITSU LIMITED

All Rights Reserved.

The contents of this document are subject to change without notice. Customers are advised to consult with FUJITSU sales representatives before ordering.

The information, such as descriptions of function and application circuit examples, in this document are presented solely for the purpose of reference to show examples of operations and uses of Fujitsu semiconductor device; Fujitsu does not warrant proper operation of the device with respect to use based on such information. When you develop equipment incorporating the device based on such information, you must assume any responsibility arising out of such use of the information. Fujitsu assumes no liability for any damages whatsoever arising out of the use of the information.

Any information in this document, including descriptions of function and schematic diagrams, shall not be construed as license of the use or exercise of any intellectual property right, such as patent right or copyright, or any other right of Fujitsu or any third party or does Fujitsu warrant non-infringement of any third-party's intellectual property right or other right by using such information. Fujitsu assumes no liability for any infringement of the intellectual property rights or other rights of third parties which would result from the use of information contained herein.

The products described in this document are designed, developed and manufactured as contemplated for general use, including without limitation, ordinary industrial use, general office use, personal use, and household use, but are not designed, developed and manufactured as contemplated (1) for use accompanying fatal risks or dangers that, unless extremely high safety is secured, could have a serious effect to the public, and could lead directly to death, personal injury, severe physical damage or other loss (i.e., nuclear reaction control in nuclear facility, aircraft flight control, air traffic control, mass transport control, medical life support system, missile launch control in weapon system), or (2) for use requiring extremely high reliability (i.e., submersible repeater and artificial satellite).

Please note that Fujitsu will not be liable against you and/or any third party for any claims or damages arising in connection with above-mentioned uses of the products.

Any semiconductor devices have an inherent chance of failure. You must protect against injury, damage or loss from such failures by incorporating safety design measures into your facility and equipment such as redundancy, fire protection, and prevention of over-current levels and other abnormal operating conditions.

If any products described in this document represent goods or technologies subject to certain restrictions on export under the Foreign Exchange and Foreign Trade Law of Japan, the prior authorization by Japanese government will be required for export of those products from Japan.

F0306

© FUJITSU LIMITED Printed in Japan