

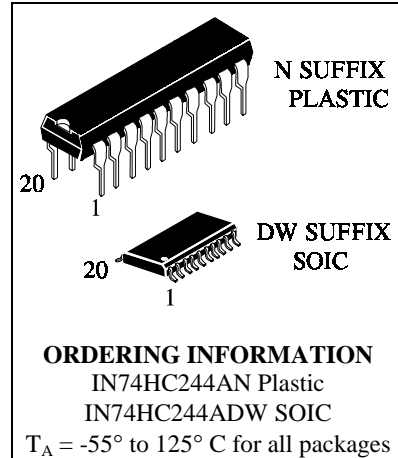
**IN74HC244A**

**Octal 3-State Noninverting Buffer/Line Driver/Line Receiver  
High-Performance Silicon-Gate CMOS**

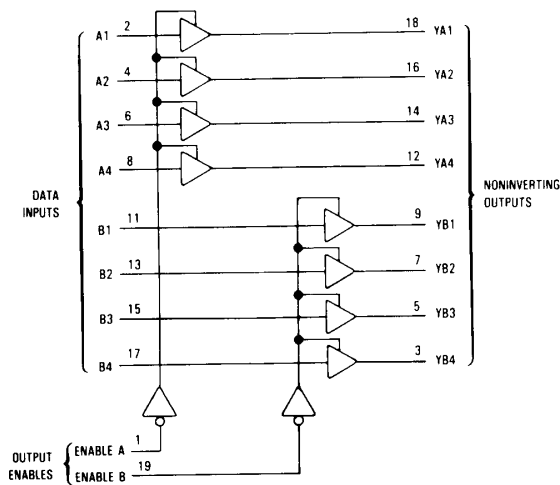
The IN74HC244A is identical in pinout to the LS/ALS244. The device inputs are compatible with standard CMOS outputs; with pullup resistors, they are compatible with LS/ALSTTL outputs.

This octal noninverting buffer/line driver/line receiver is designed to be used with 3-state memory address drivers, clock drivers, and other bus-oriented systems. The device has noninverting outputs and two active-low output enables.

- Outputs Directly Interface to CMOS, NMOS, and TTL
- Operating Voltage Range: 2.0 to 6.0 V
- Low Input Current: 1.0  $\mu$ A
- High Noise Immunity Characteristic of CMOS Devices



**LOGIC DIAGRAM**



PIN 20 =  $V_{CC}$   
 PIN 10 = GND

**PIN ASSIGNMENT**

|          |     |    |          |
|----------|-----|----|----------|
| ENABLE A | 1 ● | 20 | $V_{CC}$ |
| A1       | 2   | 19 | ENABLE B |
| YB4      | 3   | 18 | YA1      |
| A2       | 4   | 17 | B4       |
| YB3      | 5   | 16 | YA2      |
| A3       | 6   | 15 | B3       |
| YB2      | 7   | 14 | YA3      |
| A4       | 8   | 13 | B2       |
| YB1      | 9   | 12 | YA4      |
| GND      | 10  | 11 | B1       |

**FUNCTION TABLE**

| Inputs             |     | Outputs |
|--------------------|-----|---------|
| Enable A, Enable B | A,B | YA,YB   |
| L                  | L   | L       |
| L                  | H   | H       |
| H                  | X   | Z       |

X=don't care  
 Z = high impedance

**MAXIMUM RATINGS\***

| Symbol    | Parameter  | Value                  | Unit |
|-----------|--|------------------------|------|
| $V_{CC}$  | DC Supply Voltage (Referenced to GND)  | -0.5 to +7.0           | V    |
| $V_{IN}$  | DC Input Voltage (Referenced to GND)   | -1.5 to $V_{CC} + 1.5$ | V    |
| $V_{OUT}$ | DC Output Voltage (Referenced to GND)  | -0.5 to $V_{CC} + 0.5$ | V    |
| $I_{IN}$  | DC Input Current, per Pin  | $\pm 20$               | mA   |
| $I_{OUT}$ | DC Output Current, per Pin   | $\pm 35$               | mA   |
| $I_{CC}$  | DC Supply Current, $V_{CC}$ and GND Pins   | $\pm 75$               | mA   |
| $P_D$     | Power Dissipation in Still Air, Plastic DIP+<br>SOIC Package+                    | 750<br>500             | mW   |
| Tstg      | Storage Temperature  | -65 to +150            | °C   |
| $T_L$     | Lead Temperature, 1 mm from Case for 10 Seconds<br>(Plastic DIP or SOIC Package) | 260                    | °C   |

\*Maximum Ratings are those values beyond which damage to the device may occur. Functional operation should be restricted to the Recommended Operating Conditions.

+Derating - Plastic DIP: - 10 mW/°C from 65° to 125°C  
SOIC Package: : - 7 mW/°C from 65° to 125°C

**RECOMMENDED OPERATING CONDITIONS**

| Symbol            | Parameter  | Min | Max      | Unit |
|-------------------|--|-----|----------|------|
| $V_{CC}$          | DC Supply Voltage (Referenced to GND)                | 2.0 | 6.0      | V    |
| $V_{IN}, V_{OUT}$ | DC Input Voltage, Output Voltage (Referenced to GND) | 0   | $V_{CC}$ | V    |
| $T_A$             | Operating Temperature, All Package Types             | -55 | +125     | °C   |
| $t_r, t_f$        | Input Rise and Fall Time (Figure 1)                  |     |          |      |
|                   | $V_{CC} = 2.0$ V                                     | 0   | 1000     | ns   |
|                   | $V_{CC} = 4.5$ V                                     | 0   | 500      |      |
|                   | $V_{CC} = 6.0$ V                                     | 0   | 400      |      |

This device contains protection circuitry to guard against damage due to high static voltages or electric fields. However, precautions must be taken to avoid applications of any voltage higher than maximum rated voltages to this high-impedance circuit. For proper operation,  $V_{IN}$  and  $V_{OUT}$  should be constrained to the range  $GND \leq (V_{IN} \text{ or } V_{OUT}) \leq V_{CC}$ .

Unused inputs must always be tied to an appropriate logic voltage level (e.g., either GND or  $V_{CC}$ ). Unused outputs must be left open.

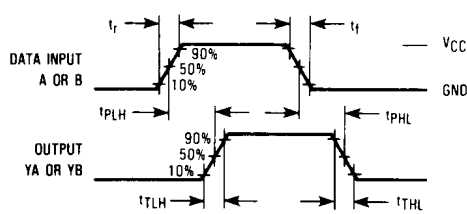
**DC ELECTRICAL CHARACTERISTICS**(Voltages Referenced to GND)

| Symbol          | Parameter                                      | Test Conditions  | V <sub>CC</sub><br>V | Guaranteed Limit     |           |            | Unit |
|-----------------|--|--|----------------------|----------------------|-----------|------------|------|
|                 |  |  |                      | 25 °C<br>to<br>-55°C | ≤85<br>°C | ≤125<br>°C |      |
| V <sub>IH</sub> | Minimum High-Level Input Voltage               | V <sub>OUT</sub> = V <sub>CC</sub> -0.1 V<br>  I <sub>OUT</sub>   ≤ 20 μA  | 2.0                  | 1.5                  | 1.5       | 1.5        | V    |
|                 |  |  | 4.5                  | 3.15                 | 3.15      | 3.15       |      |
|                 |  |  | 6.0                  | 4.2                  | 4.2       | 4.2        |      |
| V <sub>IL</sub> | Maximum Low - Level Input Voltage              | V <sub>OUT</sub> =0.1 V<br>  I <sub>OUT</sub>   ≤ 20 μA  | 2.0                  | 0.5                  | 0.5       | 0.5        | V    |
|                 |  |  | 4.5                  | 1.35                 | 1.35      | 1.35       |      |
|                 |  |  | 6.0                  | 1.8                  | 1.8       | 1.8        |      |
| V <sub>OH</sub> | Minimum High-Level Output Voltage              | V <sub>IN</sub> =V <sub>IH</sub><br>  I <sub>OUT</sub>   ≤ 20 μA   | 2.0                  | 1.9                  | 1.9       | 1.9        | V    |
|                 |  |  | 4.5                  | 4.4                  | 4.4       | 4.4        |      |
|                 |  | 6.0  | 5.9                  | 5.9                  | 5.9       |            |      |
|                 |  | V <sub>IN</sub> =V <sub>IH</sub><br>  I <sub>OUT</sub>   ≤ 6.0 mA<br>  I <sub>OUT</sub>   ≤ 7.8 mA                                 | 4.5                  | 3.98                 | 3.84      | 3.7        |      |
| 6.0             | 5.48   | 5.34   | 5.2                  |                      |           |            |      |
| V <sub>OL</sub> | Maximum Low-Level Output Voltage               | V <sub>IN</sub> = V <sub>IL</sub><br>  I <sub>OUT</sub>   ≤ 20 μA  | 2.0                  | 0.1                  | 0.1       | 0.1        | V    |
|                 |  |  | 4.5                  | 0.1                  | 0.1       | 0.1        |      |
|                 |  | 6.0  | 0.1                  | 0.1                  | 0.1       |            |      |
|                 |  | V <sub>IN</sub> = V <sub>IL</sub><br>  I <sub>OUT</sub>   ≤ 6.0 mA<br>  I <sub>OUT</sub>   ≤ 7.8 mA                                | 4.5                  | 0.26                 | 0.33      | 0.4        |      |
| 6.0             | 0.26   | 0.33   | 0.4                  |                      |           |            |      |
| I <sub>IN</sub> | Maximum Input Leakage Current                  | V <sub>IN</sub> =V <sub>CC</sub> or GND  | 6.0                  | ±0.1                 | ±1.0      | ±1.0       | μA   |
| I <sub>OZ</sub> | Maximum Three-State Leakage Current            | Output in High-Impedance State<br>V <sub>IN</sub> = V <sub>IL</sub> or V <sub>IH</sub><br>V <sub>OUT</sub> =V <sub>CC</sub> or GND | 6.0                  | ±0.5                 | ±5.0      | ±10.0      | μA   |
| I <sub>CC</sub> | Maximum Quiescent Supply Current (per Package) | V <sub>IN</sub> =V <sub>CC</sub> or GND<br>I <sub>OUT</sub> =0μA   | 6.0                  | 4.0                  | 40        | 160        | μA   |

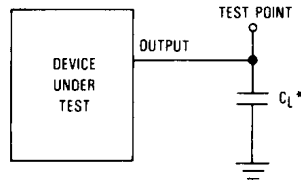
**AC ELECTRICAL CHARACTERISTICS**( $C_L=50\text{pF}$ , Input  $t_r=t_f=6.0\text{ ns}$ )

| Symbol             | Parameter   | $V_{CC}$<br>V     | Guaranteed Limit     |                 |                 | Unit |
|--------------------|---|-------------------|----------------------|-----------------|-----------------|------|
|                    |   |                   | 25 °C<br>to<br>-55°C | ≤85°C           | ≤125°C          |      |
| $t_{PLH}, t_{PHL}$ | Maximum Propagation Delay, A to YA or B to YB (Figures 1 and 3)         | 2.0<br>4.5<br>6.0 | 96<br>18<br>15       | 115<br>23<br>20 | 135<br>27<br>23 | ns   |
| $t_{PZL}, t_{PHZ}$ | Maximum Propagation Delay, Output Enable to YA or YB (Figures 2 and 4)  | 2.0<br>4.5<br>6.0 | 110<br>22<br>19      | 140<br>28<br>24 | 165<br>33<br>28 | ns   |
| $t_{PZL}, t_{PZH}$ | Maximum Propagation Delay, Output Enable to YA or YB (Figures 2 and 4)  | 2.0<br>4.5<br>6.0 | 110<br>22<br>19      | 140<br>28<br>24 | 165<br>33<br>28 | ns   |
| $t_{TLH}, t_{THL}$ | Maximum Output Transition Time, Any Output (Figures 1 and 3)            | 2.0<br>4.5<br>6.0 | 60<br>12<br>10       | 75<br>15<br>13  | 90<br>18<br>15  | ns   |
| $C_{IN}$           | Maximum Input Capacitance   | -                 | 10                   | 10              | 10              | pF   |
| $C_{OUT}$          | Maximum Three-State Output Capacitance (Output in High-Impedance State) | -                 | 15                   | 15              | 15              | pF   |

|          |  |                                      |    |
|----------|--|--------------------------------------|----|
| $C_{PD}$ | Power Dissipation Capacitance (Per Buffer)   | Typical @25°C, $V_{CC}=5.0\text{ V}$ | pF |
|          | Used to determine the no-load dynamic power consumption:<br>$P_D=C_{PD}V_{CC}^2f+I_{CC}V_{CC}$ |                                      |    |

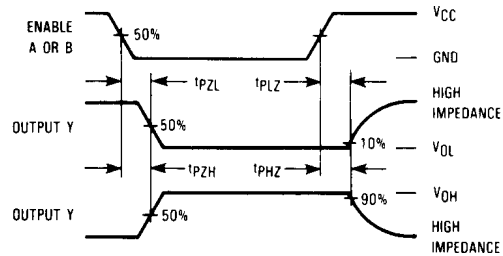


**Figure 1. Switching Waveforms**

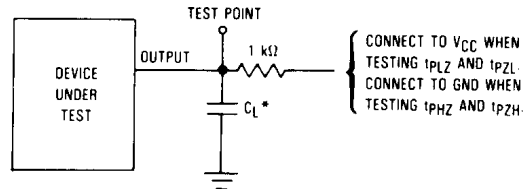


\*Includes all probe and jig capacitance.

**Figure 3. Test Circuit**



**Figure 2. Switching Waveforms**



\*Includes all probe and jig capacitance.

**Figure 4. Test Circuit**

**EXPANDED LOGIC DIAGRAM**  
(1/8 of the Device)

