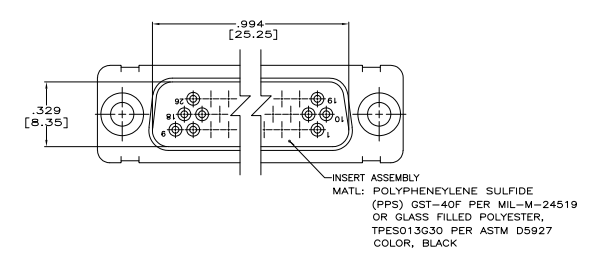
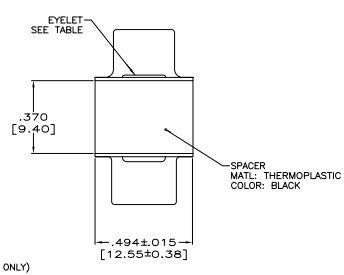
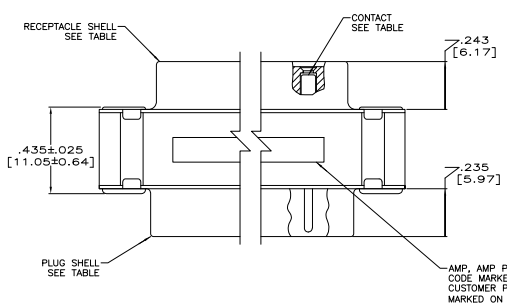
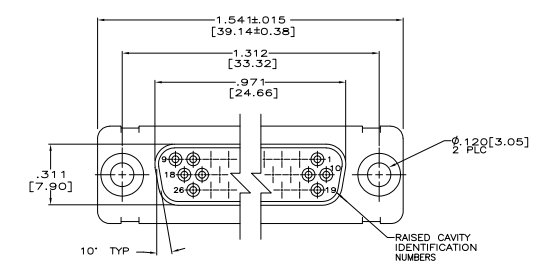
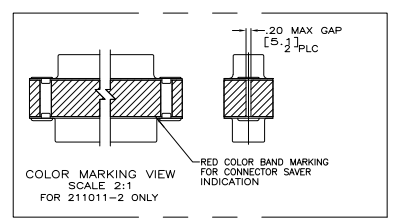


REV	DATE	DESCRIPTION	BY	CHK	APP
DF	DO				
T		REV PER ECO-06-010048			



- CONTACTS INCLUDED IN ASSEMBLY.
 - ▲ MAT'L: STEEL PER ASTM-A-109.
 - ▲ FINISH: CADMIUM PER QQ-P-416.
 - ▲ MAT'L: BRASS PER ASTM-B-36.
 - ▲ FINISH: PLATED ZINC .00020 MIN THK PER ASTM-B-633. YELLOW CHROMATE FINISH.
 - ▲ CONTACT
 - BODY MAT'L: BERYLLIUM COPPER PER ASTM-B-197.
 - BODY FINISH: PLATED GOLD, .000050 MIN THK PER MIL-G-45204 OVER NICKEL, .000050 MIN THK PER QQ-N-290.
 - HOOD MAT'L: STAINLESS STEEL PER ASTM-A-240.
 - HOOD FINISH: PASSIVATED PER QQ-P-35.
 - ▲ FINISH: PLATED GOLD, .000050 MIN THK PER MIL-G-45204 OVER COPPER FLASH.
 - ▲ FINISH: PLATED GOLD, .000050 MIN THK PER MIL-G-45204 OVER COPPER, .000100 MIN THK PER MIL-C-14550.
 - ▲ CONTACT
 - BODY MAT'L: BERYLLIUM COPPER PER ASTM-B-197.
 - BODY FINISH: PLATED GOLD, .000050 MIN THK PER MIL-G-45204 OVER COPPER, .000100 MIN THK PER MIL-C-14550.
 - HOOD MAT'L: COPPER ALLOY PER QQ-B-613.
 - FINISH: PLATED GOLD, .000050 MIN THK PER MIL-G-45204 OVER COPPER, .000100 MIN THK PER MIL-C-14550.



OBSOLETE	EYELET	SHELLS	CONTACT	CUSTOMER P/N	PART NO.
	▲	▲	▲	4UBB4 SOCN R10002677-0107	211011-6
	▲	▲	▲	2A091-002W-001	211011-5
	▲	▲	▲	--	211011-4
	▲	▲	▲	--	211011-3
	▲	▲	▲	(1J02-107)	211011-2
	▲	▲	▲	--	211011-1

THIS DRAWING IS A CONTROLLED DOCUMENT. THE C. THOMAS H. HARRIS COMPANY, 1113-88, Harrisburg, PA 17105-3608

REVISIONS: 11-13-88, 11-13-88, 11-13-88

DESCRIPTION: CONNECTOR SAVER, AMP/LIMIT 26 POSN, SIZE 2, SERIES 90

SIZE: A1, 00779, 211011

CUSTOMER DRAWING: SCALE 2:1, SHEET 1 OF 1