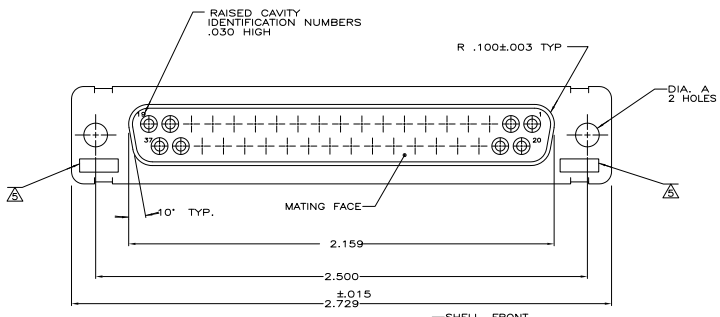
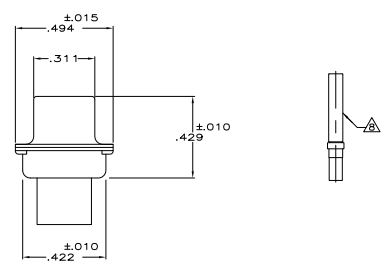
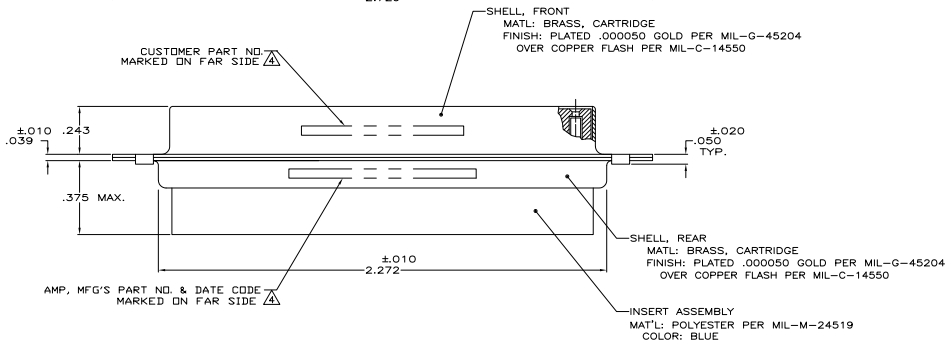


REVISED		REVISIONS		DATE	BY	APP'D
NO.	DET.	DESCRIPTION	DATE	BY	APP'D	
1	R	REV PER ECD 11-017711	10-18-11	CT	RL	



1. THIS RECEPTACLE WILL MATE WITH ANY PLUG CONNECTOR WITH THE SAME INSERT ARRANGEMENT AS DEFINED BY MS18276-1.
 2. MAXIMUM WIRE INSULATION USED WITH THIS RCPT. IS .072 DIA. MAX.
 3. Be-Cu RETENTION CLIPS ARE INCLUDED IN INSERTS.
- ⚠ FAR SIDE REFERS TO WIDE SIDE OF KEYSTONE.
 - ⚠ UL/CSA DESIGNATION STAMPED IN THIS AREA, OPTIONAL
 - ⚠ RESTRICTED TO CAE ELECTRONICS ONLY.
 - ⚠ THESE CONNECTORS ARE QUALIFIED TO GODDARD SPACE FLIGHT CENTER SPECIFICATION S-311-P-4.
 - ⚠ CONNECTOR SUPPLIED WITH CONTACTS, AMP PART NUMBER 206793-1J (NOT INSTALLED).



⚠	.120	570513-4	206803-9
⚠	.120	LMSC 1621480-004	206803-8
⚠	.120	LMSC 1621480-004	206803-7
⚠	.120	311P409-4S-B-12	206803-6
⚠	.120	2A014-009V-001	206803-4
⚠	.154		206803-3
⚠	.120	311P409-4S-B-12	206803-2
⚠	.154	311P409-4S-B-15	206803-1
REMARKS	DIA A	INK STAMPED CUSTOMER P/N	INK STAMPED AMP P/N

THIS DRAWING IS A CONTROLLED DOCUMENT. DATE: 11-24-09

DESIGNED BY: J. CLAYSON DATE: 11-24-09

APPROVED BY: J. CLAYSON DATE: 11-24-09

REVISIONS: 1

TE Connectivity

RECEPTACLE FOR SOCKET CONTACT, SIZE 4, 37 POS. (NON-MAGNETIC)

SIZE: 4.1

DATE: 11-24-09

DRAWING NO: A100779

REV: 1

BY: RL

CUSTOMER DRAWING