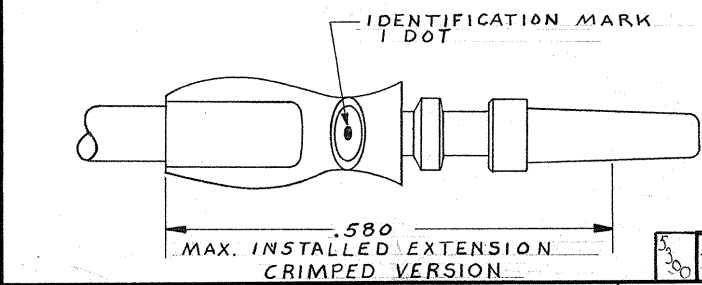
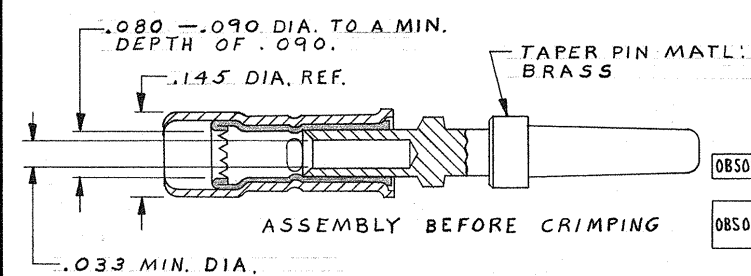
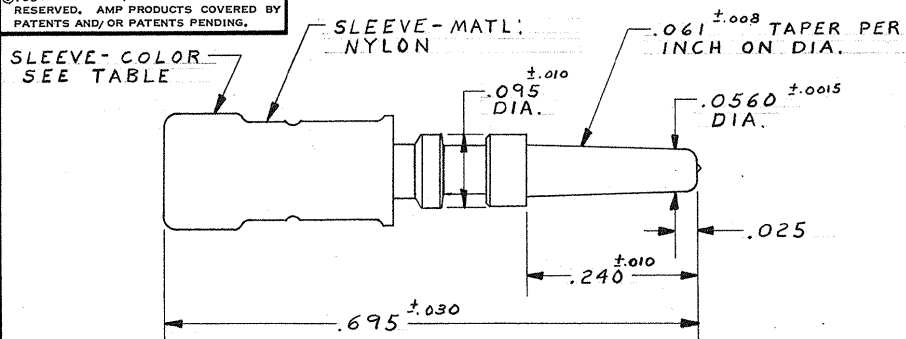


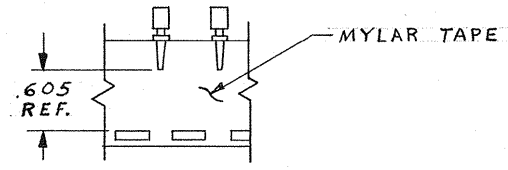
© 1960 BY AMP INCORPORATED. ALL RIGHTS RESERVED. AMP PRODUCTS COVERED BY PATENTS AND/OR PATENTS PENDING.

NUMBER 42574



REVISIONS		DATE	APPROVED
N-1	REDRAWN AND REVISED 1678	3-15-68	M.S. d.h
P	LOC SWAS AB, DIST 12 WAS 39	11-7-70	JF
R	OBSELETE - G, .0001 BRIGHT TIN WAS .0002	1-31-79	DJA
S	BRIGHT TIN-LEAD WAS BRIGHT TIN, EA 1818	6-18-81	DS
T	OBS - 7 E - 9	11-22-86	RS
U	REV PER DF-0357	6/16/88	mt
V	REV PER OH14-0139-05	1-26-06	py RB

1. WIRE RANGE: 24-22
INS. RANGE: .040-.080 DIA.



TAPE MOUNTED ASSY. NO'S.
42574-8 THRU 1-42574-1.

5-42574-1	.0001 MATTE TIN	YELLOW
1-42574-1	.0002 GOLD OVER .000050 NICKEL	YELLOW
1-42574-0	.000030 GOLD OVER .000050 NICKEL	
OBSELETE 42574-9	SILVER-.0002 THICK	
42574-8	BRIGHT TIN-LEAD .0001 THICK	YELLOW
OBSELETE 42574-7	.000030 GOLD OVER .000050 NICKEL	BLACK
42574-6	.000030 GOLD OVER .000050 NICKEL	RED
42574-5	.0002 GOLD OVER .000050 NICKEL	YELLOW
42574-4	.0001 GOLD OVER .0001 NICKEL	
42574-3	.000030 GOLD OVER .000050 NICKEL	
OBSELETE 42574-2	SILVER-.0002 THICK	
42574-1	BRIGHT TIN-LEAD .0001 THICK	YELLOW
PART NO.	FINISH	SLEEVE-COLOR

UNLESS OTHERWISE SPECIFIED DIM. ARE IN INCHES. TOLERANCES ON: DECIMALS ±.015 ANGLES ± #		CONTRACT NO. 3-15-68		AMP INCORPORATED HARRISBURG, PENNSYLVANIA	
MATERIAL SEE CALLOUT		DR M Smith	CHK W Heide 5/10/68	NAME PIN, TAPER, "53" SERIES, P.I.D.G.	
HEAT TREAT #		APPR R. H. H. 5/15/68	DSGN APPD W. Feerer 5-15-68	SIZE B	CODE IDENT NO. 00779
FINISH SEE TABLE		OTHER APPD		NUMBER 42574	
AMP INFO		SCALE 8-1	WT	CALC	ACTUAL
LOC DF		SHEET		SHEET	

2 CUSTOMER DRAWING 1