

4

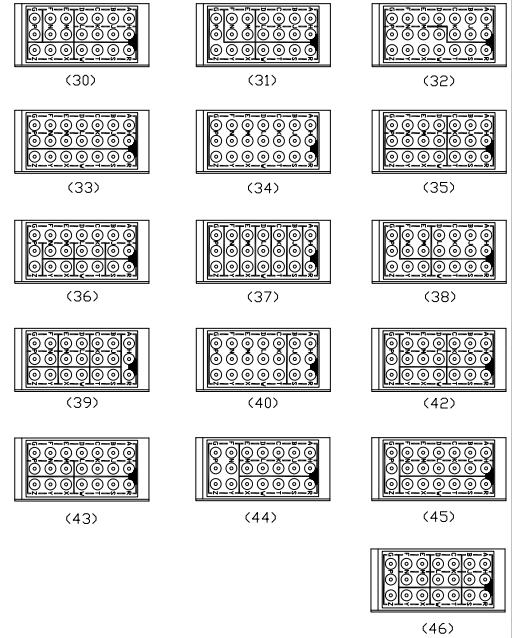
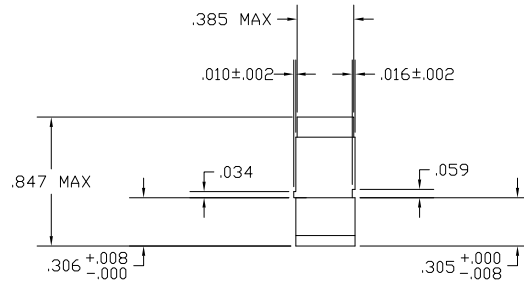
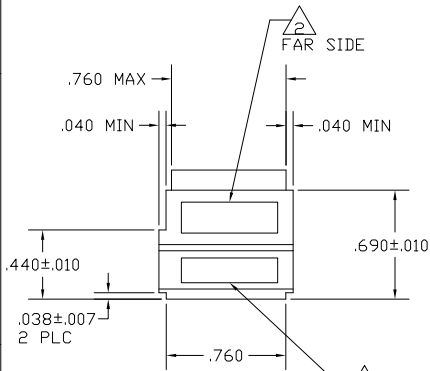
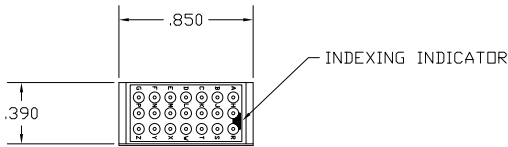
3

2

1

THIS DRAWING IS UNPUBLISHED		RELEASED FOR PUBLICATION	
ALL RIGHTS RESERVED			
DESCRIPTION	MATERIAL	FINISH	
MODULE ASSEMBLY	EPOXY	COLOR: BLACK	
GROMMET	FLUORSILICONE RUBBER	COLOR: BLUE	
CONTACT SOCKET	BERYLLIUM COPPER PER QQ-C-533	GOLD PLATE PER MIL-G-45204	
RETAINING CLIP	BERYLLIUM COPPER PER QQ-C-533 OR STAINLESS STEEL PER QQ-S-766	NONE	
CONTACTS	COPPER ALLOY PER MIL-C-39029/1	GOLD PLATE PER MIL-G-45204	
SEALING PLUGS	F.E.P. PER MIL-P-19468	COLOR: BLACK	

LOC	DIST	REVISIONS					
DF	AO	P	CHR	DESCRIPTION	DATE	BY	APP'D
		D		REVISED PER ECO-11-011660	08.JUL.11	PY	DE



BUSSING ARRANGEMENTS

- BUSSING ARRANGEMENT OUTLINE DENOTES INTERNAL ARRANGEMENT OF CONTACT SOCKETS.
- MARK MODULE ASSEMBLY WITH CUSTOMER PART NO., MILITARY PART NO. IF REQUIRED .060 MINIMUM HIGH CHARACTERS AT APPROXIMATE AREA SHOWN.
- MARK MODULE ASSEMBLY WITH "AMP", AMP PART NO. AND DATE CODE .060 MINIMUM HIGH CHARACTERS AT APPROXIMATE AREA SHOWN.

THIS DRAWING IS A CONTROLLED DOCUMENT.		DATE	3-10-93		TE Connectivity		
DRAWN BY		J. MECK					
CHECKED BY		R. RYAN	3-31-93	MODULE ASSY, FEED-BACK, SIZE 21, TJ			
APPROVED BY		R. RYAN					
PRODUCT SPEC				RESTRICTED TO			
APPLICATION SPEC				SIZE	CAGE CODE	DRAWING NO.	
WEIGHT				A2	00779	C-592629	
MATERIAL				CUSTOMER DRAWING		SCALE	2:1
FINISH				SHEET		1	of 2

1471-9 (3/11)

592629

A

4

3

2

1

THIS DRAWING IS UNPUBLISHED
 RELEASED FOR PUBLICATION
 ALL RIGHTS RESERVED

LOC	DIST	P	CHK	REVISIONS	DATE	DAN	APD
DF	AO	-	-	SEE SHEET 1	-	-	-

Part No.	46	45	44	43	42	40	39	38	37	36	35	34	33	32	31	30	DESCRIPTION	DATE	DAN	APD
MRTB21D43					X												--	--		4-592629-9
MRTB21D39						X											--	--		4-592629-8
M81714/17-D30													X				X	X		4-592629-7
M81714/17-D45	X																X	X		4-592629-5
M81714/17-D36									X								X	X		4-592629-4
M81714/17-D43					X												X	X		4-592629-3
M81714/17-D42					X												X	X		4-592629-2
M81714/17-D41																				4-592629-1
-----					X															4-592629-0
-----																				4-592629-0
MRTB21D42					X															4-592629-0
MRTB21D44					X															4-592629-0
MRTB21D37									X											3-592629-1
MRTB21D36										X										3-592629-0
MRTB21D35											X									3-592629-0
MRTB21D34												X								2-592629-9
MRTB21D32													X							2-592629-8
MRTB21D31														X						2-592629-7
MRTB21D30															X					2-592629-6
G3B3962-1										X							X	X		2-592629-5
-----																				2-592629-4
77A112809-2	X																X	X		2-592629-3
-----																	X	X		2-592629-2
-----																	X	X		2-592629-2
M81714/17-D44			X														X	X		2-592629-0
-----																	X	X		2-592629-0
M81714/17-D40						X											X	X		1-592629-9
-----																	X	X		1-592629-8
M81714/17-D39							X										X	X		1-592629-7
-----																	X	X		1-592629-6
M81714/17-D38								X									X	X		1-592629-5
-----																	X	X		1-592629-4
M81714/17-D37									X								X	X		1-592629-3
-----																	X	X		1-592629-2
M81714/17-D35										X							X	X		1-592629-1
-----																	X	X		1-592629-0
M81714/17-D34												X					X	X		592629-9
-----																	X	X		592629-8
M81714/17-D33													X				X	X		592629-7
-----																	X	X		592629-6
M81714/17-D32														X			X	X		592629-5
-----																	X	X		592629-4
M81714/17-D31															X		X	X		592629-3
-----																	X	X		592629-2
-----																	X	X		592629-1

MARKING


SEALING PLUG QTY 2 CONTACTS QTY 11 PART NO.

ARRANGEMENTS

THIS DRAWING IS A CONTROLLED DOCUMENT. DAN J. MECK 3-10-99
 OK R. RYAN 3-31-99
 APP R. RYAN 3-31-99
 PRODUY SPEC

DIMENSIONS INCHES
 0 P.L.C. ± .010
 1 P.L.C. ± .005
 2 P.L.C. ± .005
 3 P.L.C. ± .005
 4 P.L.C. ± .005
 ANGLES ± .005

MATERIAL FINISH

TE Connectivity
 MODULE ASSY, FEED-BACK, SIZE 21, TJ

SIZE CASE CODE DRAWING NO. RESTRICTED TO
 A200779C-592629

CUSTOMER DRAWING SCALE 2:1 SHEET 2 of 2 REV D