

4

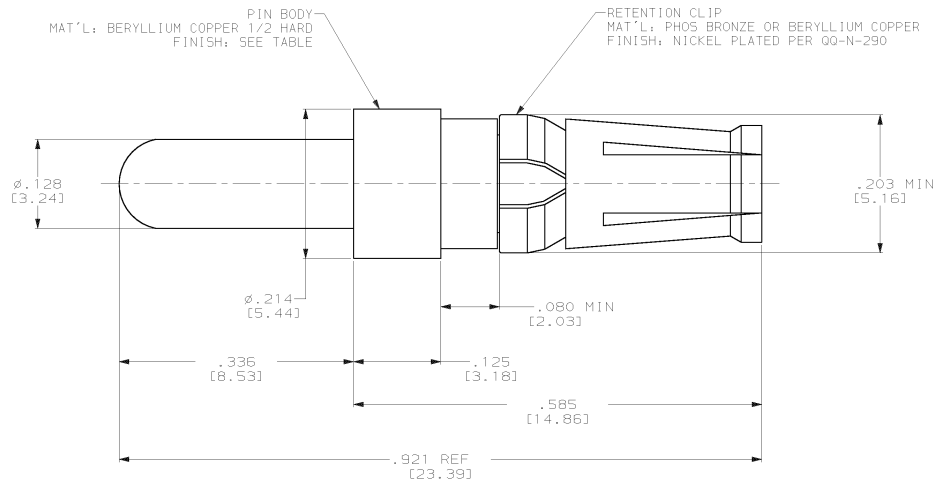
3

2

1

THIS DRAWING IS UNPUBLISHED. RELEASED FOR PUBLICATION. COPYRIGHT 19 BY AMP INCORPORATED. ALL RIGHTS RESERVED.

LOC	DIST	F	LTR	DESCRIPTION	DATE	ENR	APPD
DF	DO						
		C		REV PER 0630-0012-01	7-03	CT	DM



PRELIMINARY NOT RELEASED FOR PRODUCTION		445798-2
		445798-1
	FINISH	PART NUMBER

- 1. FINISH: PLATED GOLD .000050 [0.00127] MIN THK PER MIL-G-45204 OVER NICKEL .000050 [0.00127] MIN THK PER Q0-N-290.
- 2. FINISH: PLATED GOLD .000030 [0.00076] MIN THK PER MIL-G-45204 OVER NICKEL .000050 [0.00127] MIN THK PER Q0-N-290.
- 3. MATES WITH ANY POWER VIII PIN CONTACT.

THIS DRAWING IS A CONTROLLED DOCUMENT.		DN C. C. THOMAS 11/10/00	AMP Incorporated Harrisburg, PA 17105-3608
DIMENSIONS INCHES (mm)		CHK D. MILLER 11/10/00	
DESIGNED BY		APPD D. MILLER 11/10/00	ASSEMBLY, SOCKET CONTACT SIZE 8, P.C. BOARD MOUNT
CHECKED BY		PROJ SPEC	
MATERIAL		APPLICATION SPEC	SUBJ: CASE CODE DRAWING NO: A200779 C-445798
FINISH		REWORK	RESTRICTED TO
SEE CALLOUTS		SEE TABLE	SCALE: 10:1 SHEET 1 OF 1 REV C
		CUSTOMER DRAWING	