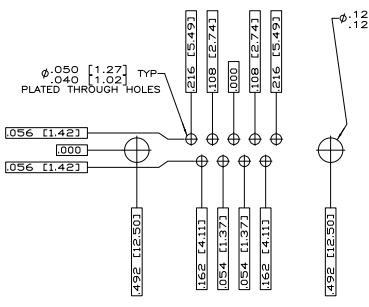
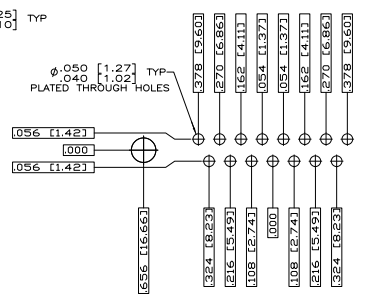


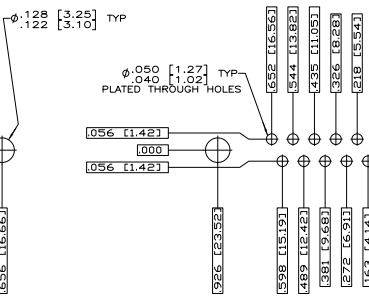
REV	DATE	DESCRIPTION	BY	CHK	APP
DF	DO				
		SEE SHEET 1			



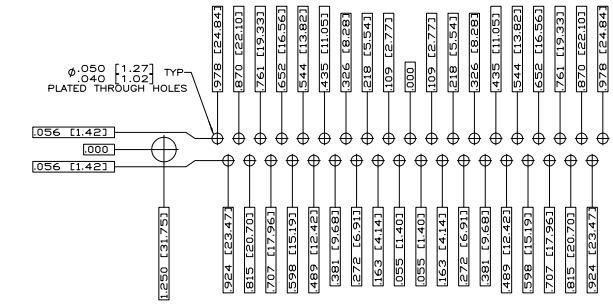
RECOMMENDED P.C. BOARD LAYOUT
 SHELL SIZE 1 (9 POSITION) ▲



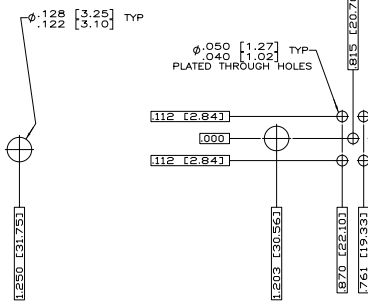
RECOMMENDED P.C. BOARD LAYOUT
 SHELL SIZE 2 (15 POSITION) ▲



RECOMMENDED P.C. BOARD LAYOUT
 SHELL SIZE 3 (25 POSITION) ▲



RECOMMENDED P.C. BOARD LAYOUT
 SHELL SIZE 4 (37 POSITION) ▲



RECOMMENDED P.C. BOARD LAYOUT
 SHELL SIZE 5 (50 POSITION) ▲

THIS DRAWING IS A CONTROLLED DOCUMENT.		REV. P. THOMAS	2-27-78	TYS TYS Electronics Corporation Harrisburg, PA 17105-3608
DESIGNED BY: J. MILLER		2-28-78	DATE	
WORKS	REVISIONS	REVISIONS	DATE	RECEPTACLE ASSEMBLY, AMP/LMITE SERIES 109, SIZE 1 THRU 5
SEE CALLOUTS	SEE CALLOUTS	SEE CALLOUTS	DATE	
CUSTOMER DRAWING		100	ONE ONE	REVISED TO
		A	00779	G-1757828
		4.1	2	2