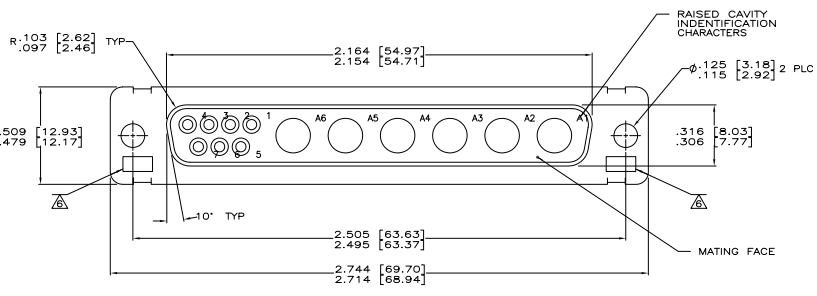
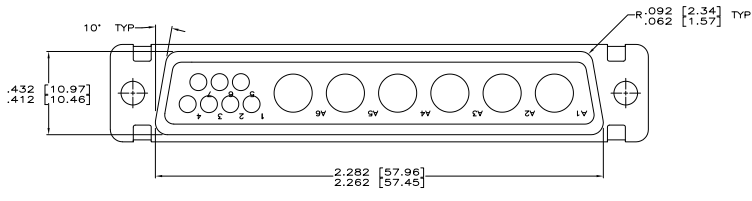
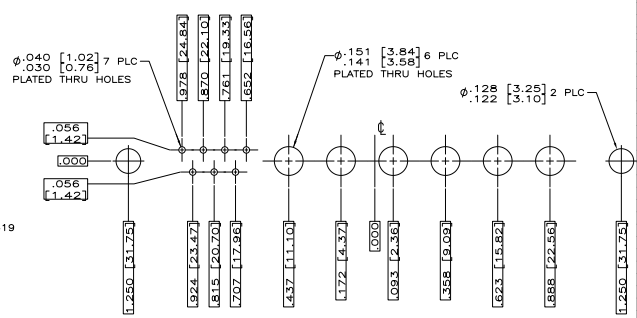
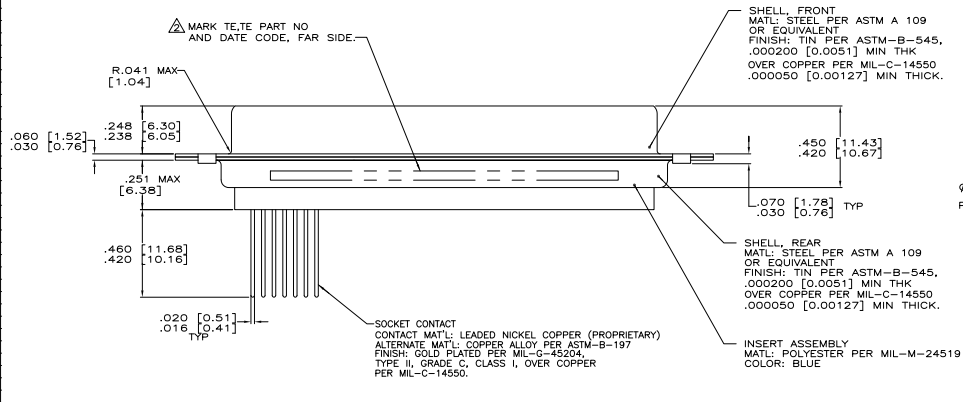


REV	DATE	DESCRIPTION	BY	CHK	APP
DF	DO				
C		REVISED PER ECO-09-013174			10-04-08 CT RL



- △ TRUE POSITION TOLERANCE FOR P.C. BOARD LAYOUT IS .010 [0.25] AT MAX MATERIAL CONDITION.
- △ MARK WITH .047 [1.19]-.062 [1.57] HIGH CHARACTERS. FAR SIDE REFERS TO THE WIDE SIDE OF THE KEYSTONE.
- 3. THIS CONNECTOR ASSEMBLY IS DESIGNED TO ACCEPT SIZE 8 SOCKET CONTACTS (NOT SUPPLIED). RECOMMENDED P.C. BOARD LAYOUT IS DESIGNED FOR USE WITH SIZE 8 TE CONTACT PART NUMBER 445798-1.
- 4. DIMENSIONS AND TOLERANCES PER ANSI Y14.5M-1982.
- 5. THIS DRAWING SHALL BE INTERPRETED IN ACCORDANCE WITH APPLICABLE STANDARDS LISTED IN MIL-STD-100.
- △ UL/CSA DESIGNATION STAMPED IN THIS AREA, OPTIONAL.



6	7	4	448690-1	448690-1
SIZE 8	SIZE 20	SHELL SIZE	TE P/N ON CONNECTOR	PART NUMBER
THIS DRAWING IS A CONTROLLED DOCUMENT. SEE CALLOUTS				
DESIGNED BY: GENEZ				
CHECKED BY: GILLMAN				
DATE: 10/07/79				
PROJECT: AMPLIMITE 1306 RECEPTACLE ASSY WITH SIZE 20 STRAIGHT POSTED SOCKET CONTACTS, SERIES 1306.				
DRAWN BY: A1				
CUSTOMER DRAWING				