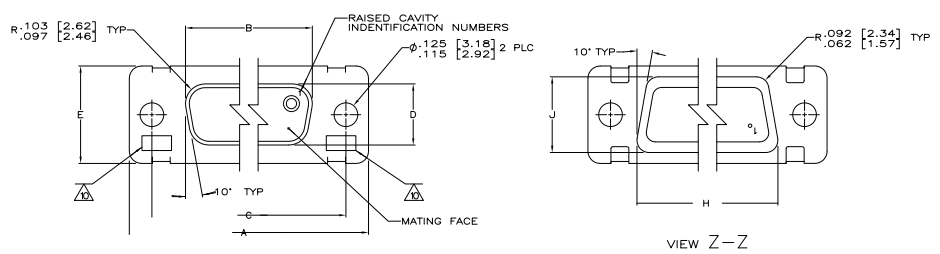
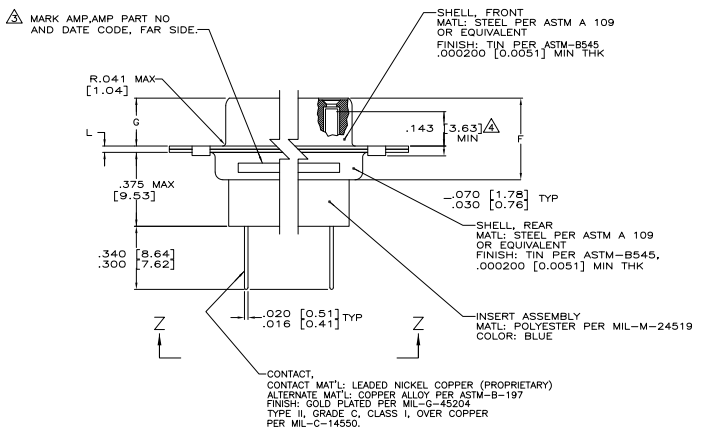


REV	DATE	DESCRIPTION	BY	CHK	APP
DF	DO				
E		REVISED PER ECO-09-00886			09-01-08 CT RL



- △ SEE SHEET 2 FOR RECOMMENDED P.C. BOARD LAYOUT, TRUE POSITION TOLERANCE FOR P.C. BOARD LAYOUT IS .010 [0.25] AT MAX MATERIAL CONDITION.
- 2. THIS CONNECTOR ASSEMBLY IS SUPPLIED WITH STAINLESS STEEL CONTACT RETENTION CLIPS INSTALLED IN THE INSERT ASSEMBLY.
- △ MARK WITH .047 [1.19]-.062 [1.57] HIGH CHARACTERS. FAR SIDE REFERS TO THE WIDE SIDE OF THE KEYSTONE. IF THE REAR SHELL IS TOO SMALL FOR THE ENTIRE MARKING REQUIREMENT, MARKING SHALL BE LOCATED AS FOLLOWS:  
 A. "TE" AND DATE CODE ON FRONT SHELL, FAR SIDE.  
 B. TE PART NUMBER ON REAR SHELL, FAR SIDE.
- △ POINT OF ELECTRICAL ENGAGEMENT - AS MEASURED WITH A .039 [0.99] - .041 [1.04] DIAMETER SQUARE ENDED TEST PIN.
- 5. FOR REPLACEMENT CONTACTS ORDER TE PART NUMBER 1-208778-0.
- 6. FOR CONTACT INSTALLATION AND REMOVAL TOOL ORDER TE PART NUMBER 91067-2.
- 7. THE CONNECTORS DESCRIBED IN THIS DOCUMENT MEET THE REQUIREMENTS OF MIL-C-24308 AND MATE WITH ANY PLUG COMPONENT WITH THE SAME INSERT ARRANGEMENT.
- 8. DIMENSIONS AND TOLERANCES PER ANSI Y14.5M-1982.
- 9. THIS DRAWING SHALL BE INTERPRETED IN ACCORDANCE WITH APPLICABLE STANDARDS LISTED IN MIL-STD-100.
- △ UL/CSA DESIGNATION STAMPED IN THIS AREA, OPTIONAL.



.040 [1.02]	.432 [10.97]	2.282 [57.96]	.248 [6.30]	.439 [11.15]	.509 [12.93]	.316 [8.03]	2.505 [63.63]	2.164 [54.97]	2.744 [69.70]	MS18276-1	37	4	448689-4	448689-4
.020 [0.51]	.412 [10.46]	2.692 [67.45]	.238 [6.05]	.419 [10.64]	.479 [12.17]	.306 [7.77]	2.499 [63.37]	2.154 [54.71]	2.714 [68.94]	MS18274-1	15	2	448689-2	448689-2
		1.093 [27.76]					1.317 [33.45]	.976 [24.79]	1.556 [39.52]	MS18273-1	9	1	448689-1	448689-1
		1.073 [27.25]					1.307 [33.20]	.966 [24.54]	1.526 [38.78]					
		.789 [19.93]					.989 [25.12]	.648 [16.46]	1.228 [31.19]					
		.749 [19.02]					.979 [24.87]	.638 [16.21]	1.198 [30.43]					

THIS DRAWING IS A CONTROLLED DOCUMENT.

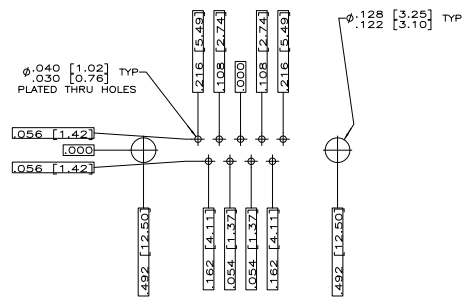
DESIGNED BY: J. GIBBY  
 CHECKED BY: J. GILLMAN  
 DRAWN BY: J. GILLMAN  
 DATE: 09/01/08

THIS DRAWING IS A CONTROLLED DOCUMENT. TYS ELECTRONICS CORPORATION, Harrisburg, PA 17105-3608

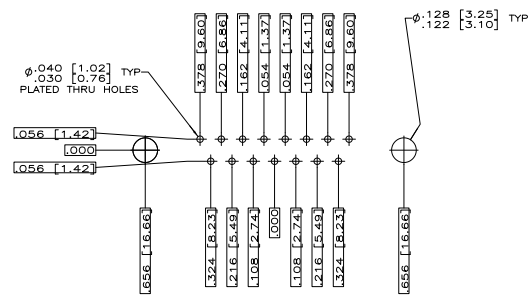
AMPLIMITE RECEPTACLE ASSY WITH SIZE 20 STRAIGHT POSTED, SOCKET CONTACTS, SERIES 100, SHELL SIZES 1, 2, & 4

SIZE: 41 00778 G=448689

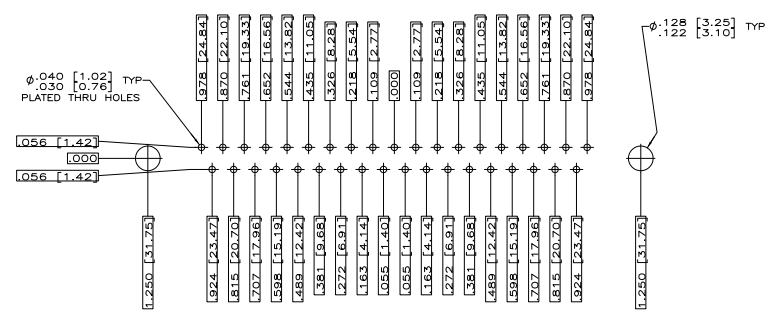
CUSTOMER DRAWING



RECOMMENDED P.C. BOARD LAYOUT  
SHELL SIZE 1 (9 POSITION)



RECOMMENDED P.C. BOARD LAYOUT  
SHELL SIZE 2 (15 POSITION)



RECOMMENDED P.C. BOARD LAYOUT  
SHELL SIZE 4 (37 POSITION)

THIS DRAWING IS A CONTROLLED DOCUMENT.		DATE	BY	CHKD	APP
DRAWING NO.		DATE	BY	CHKD	APP
PROJECT NAME		AMPLIMITE RECEPTACLE ASSY WITH SIZE 20 STRAIGHT POSTED SOCKET CONTACTS, SERIES 100, SHELL SIZES 1, 2, & 4			
DRAWING NO.		A1 00779 (S=448689)			
CUSTOMER DRAWING		DATE	BY	CHKD	APP