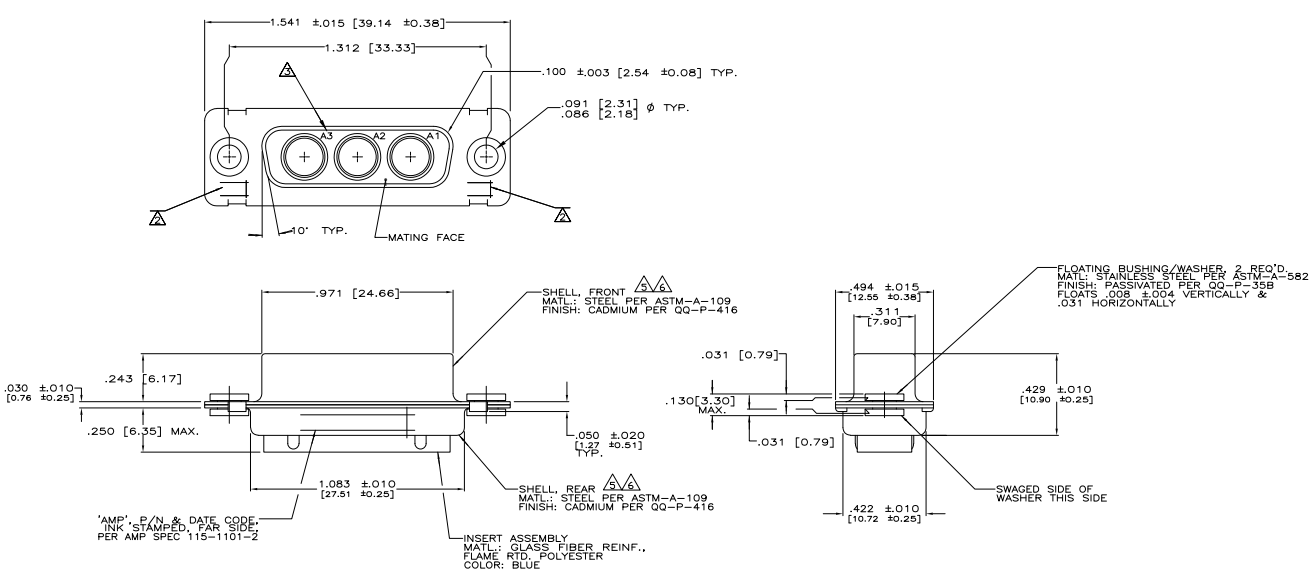


THIS DRAWING IS UNPUBLISHED  
 RECEIVED FOR REPRODUCTION  
 © 2008 TYS ELECTRONICS CORPORATION ALL RIGHTS RESERVED

REV	DATE	DESCRIPTION	BY	CHK	APP
DF	DO				
A		REV PER ECU 05-014825			23/06/06 BL CT



- THIS RCPT. IS DESIGNED TO CONFORM TO THE LATEST ISSUE OF MIL-C-24308.
- UL/CSA DESIGNATION STAMPED IN THIS AREA, OPTIONAL.
- RAISED NUMBERS FOR IDENTIFICATION OF CIRCUIT HOLES.
- CONTACTS NOT SUPPLIED WITH ASSEMBLY. CONTACTS TO BE PURCHASED SEPARATELY.
- FINISH: CADMIUM PER QQ-P-416.
- FINISH: ZINC PLATE PER ASTM-B-633 .000200-.000400 THK WITH SUPPLEMENTARY CHROMATE (C73+).

THIS DRAWING IS A CONTROLLED DOCUMENT.		REV	DATE	DESCRIPTION	BY	CHK	APP
REVISIONS	APPROVED	DATE	DESCRIPTION	BY	CHK	APP	
1							
CUSTOMER DRAWING		REV	DATE	DESCRIPTION	BY	CHK	APP
A							

5-447718-1	447718-1
AS SHOWN	PART NO
NOTES	
Tys Electronics Corporation Harrisburg, PA 17105-3608	
RECEPTACLE ASSEMBLY, AMPLIMITE, 3C3, SIZE 2, SERIES 109, COAX, WITH FLOAT BUSHINGS	
SIZE	DATE SIZE
A1	00779
SIZE	DATE SIZE
1:1	1 1/2