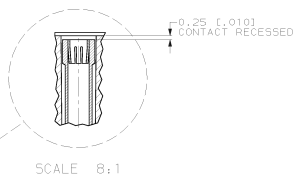
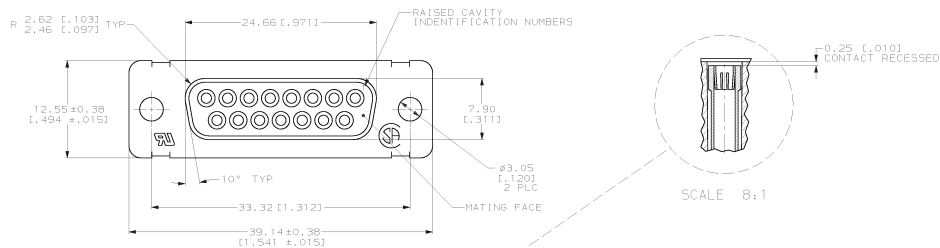
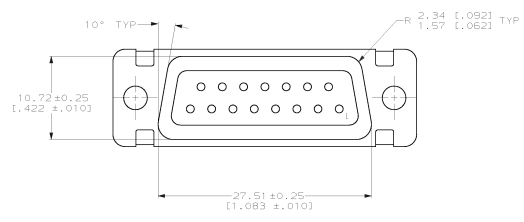
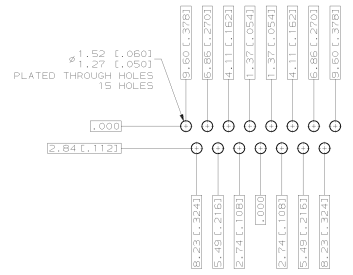
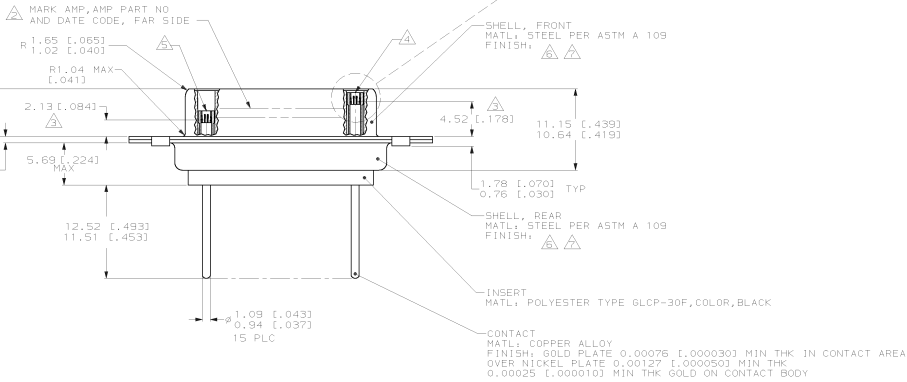


REV	DATE	DESCRIPTION	BY	CHK	APP
DF	D0				
B	REV PER 0630-0297-99				



- △ TRUE POSITION TOLERANCE FOR P-C BOARD LAYOUT IS 0.25 (0.010) AT MAX MATERIAL CONDITION. SUGGESTED BOARD THICKNESS IS 2.39 (0.094).
- △ MARK WITH 1.19 (0.047) - 1.57 (0.062) HIGH CHARACTERS. FAR SIDE REFERS TO THE NARROW SIDE OF THE KEYSTONE. NEAR SIDE REFERS TO THE WIDE SIDE OF THE KEYSTONE. IF THE FRONT SHELL IS TOO SMALL FOR "AMP", AMP PART NUMBER, AND DATE CODE, THEN SPLIT AS FOLLOWS:
 A. AMP PART NUMBER ON REAR SHELL, NEAR SIDE.
 B. "AMP" AND DATE CODE ON FRONT SHELL, NEAR SIDE.
- △ POINT OF ELECTRICAL ENGAGEMENT - AS MEASURED WITH A 0.991 (0.0390) - 0.998 (0.0393) DIA SQUARE ENDED TEST PIN.
- △ REGULAR LENGTH SOCKET LOCATION: 7, 8, AND 13 THRU 15.
- △ SHORT LENGTH SOCKET LOCATION: 1 THRU 6, AND 9 THRU 12.
- △ FINISH: CADMIUM PER QQ-P-416.
- △ FINISH: TIN PLATED PER MIL-T-10727.



RECOMMENDED P.C. BOARD LAYOUT △

△	443646-2
△	443646-1
SHELL FINISH	PART NUMBER

THIS DRAWING IS A CONTROLLED DOCUMENT.		REVISED TO REFLECT REVISIONS TO THE ORIGINAL DRAWING	REVISED TO REFLECT REVISIONS TO THE ORIGINAL DRAWING
SYMBOLS	UNLESS OTHERWISE SPECIFIED	REVISED TO REFLECT REVISIONS TO THE ORIGINAL DRAWING	REVISED TO REFLECT REVISIONS TO THE ORIGINAL DRAWING
UNIT	INCHES	REVISED TO REFLECT REVISIONS TO THE ORIGINAL DRAWING	REVISED TO REFLECT REVISIONS TO THE ORIGINAL DRAWING
SCALE	AS SHOWN	REVISED TO REFLECT REVISIONS TO THE ORIGINAL DRAWING	REVISED TO REFLECT REVISIONS TO THE ORIGINAL DRAWING
DATE	06/30/99	REVISED TO REFLECT REVISIONS TO THE ORIGINAL DRAWING	REVISED TO REFLECT REVISIONS TO THE ORIGINAL DRAWING
DESIGNER	SEE CALLOUTS	REVISED TO REFLECT REVISIONS TO THE ORIGINAL DRAWING	REVISED TO REFLECT REVISIONS TO THE ORIGINAL DRAWING
CUSTOMER DRAWING		REVISED TO REFLECT REVISIONS TO THE ORIGINAL DRAWING	REVISED TO REFLECT REVISIONS TO THE ORIGINAL DRAWING
AMP Incorporated Harrisburg, PA 17105-3608		AMP Incorporated Harrisburg, PA 17105-3608	
AMP 10P RECEPTACLE ASSEMBLY, LOW PROFILE, SIZE 20 P-C BOARD CONTACTS, MAKE FIRST BREAK LAST, SERIES 109, SHELL SIZE 2, 15 POSITION		AMP 10P RECEPTACLE ASSEMBLY, LOW PROFILE, SIZE 20 P-C BOARD CONTACTS, MAKE FIRST BREAK LAST, SERIES 109, SHELL SIZE 2, 15 POSITION	
REV	DATE	REVISED TO REFLECT REVISIONS TO THE ORIGINAL DRAWING	REVISED TO REFLECT REVISIONS TO THE ORIGINAL DRAWING
A1	00778	REVISED TO REFLECT REVISIONS TO THE ORIGINAL DRAWING	REVISED TO REFLECT REVISIONS TO THE ORIGINAL DRAWING
443646		REVISED TO REFLECT REVISIONS TO THE ORIGINAL DRAWING	REVISED TO REFLECT REVISIONS TO THE ORIGINAL DRAWING