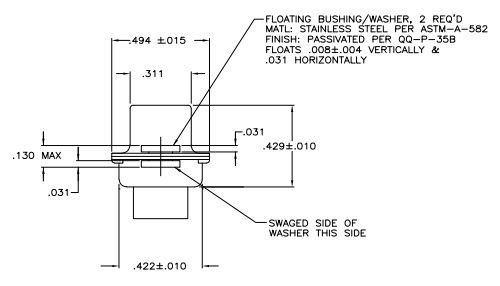
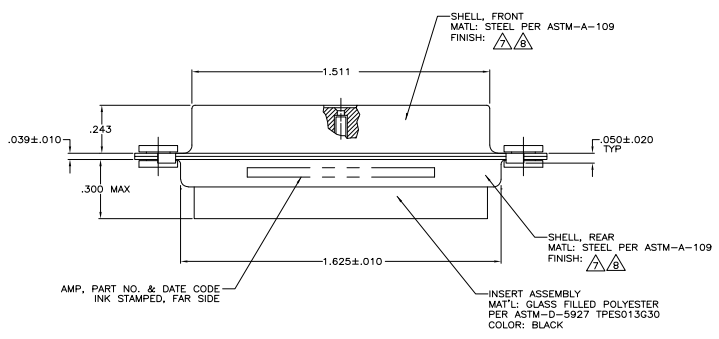
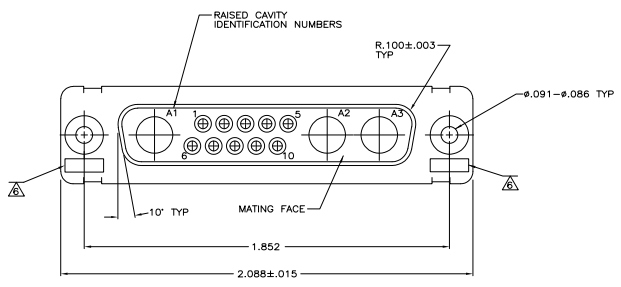


- THIS RECEPTACLE WILL MATE WITH ANY 13C3, SIZE 3 PLUG IN AMPLIMITE SERIES.
- MAXIMUM WIRE INSULATION TO BE USED WITH THIS RECEPTACLE IS .068 DIA.
- STAINLESS STEEL RETENTION CLIPS (10) ARE INCLUDED IN INSERT ASSEMBLY.
- CONNECTOR SUPPLIED WITH (11) SIGNAL SOCKET CONTACTS; PACKAGED IN A SEPERATE BAG.
- USE 3 SIZE 8 POWER OR COAX SOCKET CONTACTS. CONSULT PRODUCT ENGINEERING FOR MORE DETAILS
- UL/CSA DESIGNATION STAMPED IN THIS AREA, OPTIONAL.
- CADMIUM PER QQ-P-416
- ZINC PLATE PER ASTM-B-633, .000200-.000400 THK WITH SUPPLEMENTARY CHROMATE (C3+)



REVISIONS	5-212057-2
	212057-2
	212057-1
REMARKS	PART NO

THIS DRAWING IS A CONTROLLED DOCUMENT. DATE: 01-78-83. DRAWN BY: J. THOMAS. CHECKED BY: J. THOMAS. APPROVED BY: J. THOMAS. TITLE: RECEPTACLE ASSEMBLY. SERIES: 109, COAX. MFR. W/ FLOAT BUSHINGS. SIZE: 109. DATE: 01-78-83. DRAWING NO: A100779. CUSTOMER DRAWING: 212057. SHEET: 4-1 OF 1.