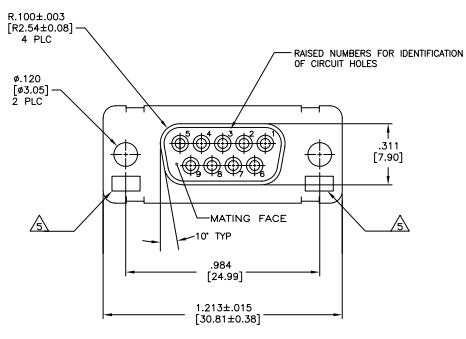
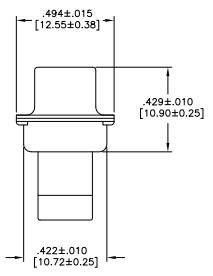
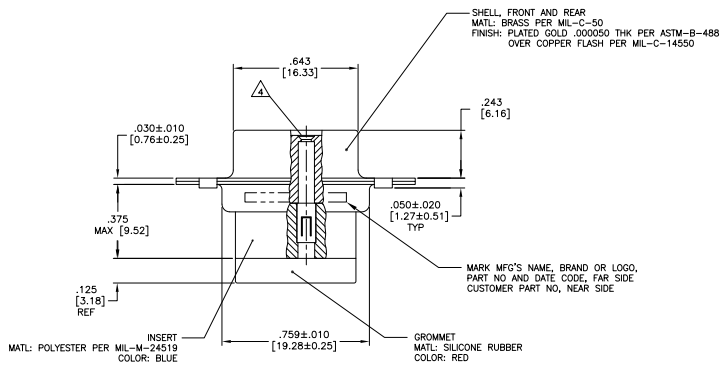


REV	DATE	DESCRIPTION	BY	APP'D
1				
2				
3				
4				
5				
6				
7				
8				
9				
10				
11				
12				
13				
14				
15				
16				
17				
18				
19				
20				
21				
22				
23				
24				
25				
26				
27				
28				
29				
30				
31				
32				
33				
34				
35				
36				
37				
38				
39				
40				
41				
42				
43				
44				
45				
46				
47				
48				
49				
50				
51				
52				
53				
54				
55				
56				
57				
58				
59				
60				
61				
62				
63				
64				
65				
66				
67				
68				
69				
70				
71				
72				
73				
74				
75				
76				
77				
78				
79				
80				
81				
82				
83				
84				
85				
86				
87				
88				
89				
90				
91				
92				
93				
94				
95				
96				
97				
98				
99				
100				



1. THIS RECEPTACLE WILL MATE WITH ANY 9 POSN, SIZE 1 PLUG IN AMPLIMITE SERIES
 2. MAXIMUM WIRE INSULATION USED WITH THIS RECEPTACLE IS ø.068 [1.73]
 3. BE CU RETENTION CLIPS ARE INCLUDED IN INSERT
- ▲ CONNECTOR SUPPLIED WITHOUT CONTACTS; SHOWN FOR ILLUSTRATION ONLY
 ▲ UL/CSA DESIGNATION MARKED IN THIS AREA



OBSOLETE	1A01-021	211633-1	211633-6
OBSOLETE	-	-	211633-5
OBSOLETE	-	211633-4	211633-4
OBSOLETE	-	211633-3	211633-3
OBSOLETE	2A014-036V-001	211633-2	211633-2
	1A01-021-RHA	211633-1	211633-1
	MARKED CUSTOMER NO	MARKED TE PART NO	PART NO.

THIS DRAWING IS A CONTROLLED DOCUMENT. DATE: 12-2-10

TE Connectivity

RCPT, ASSY, AMPLIMITE, 9 POSN, SIZE 1, SERIES 109, NON-MAG, W/GROMMET

DATE: 12-2-10

SIZE: A1

DATE: 12-2-10

REV: 1

BY: G