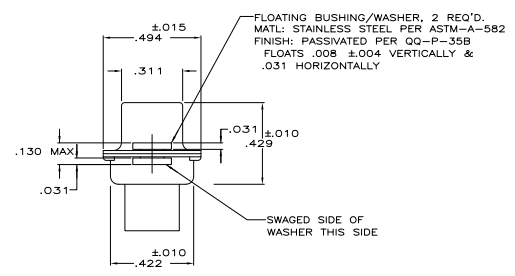
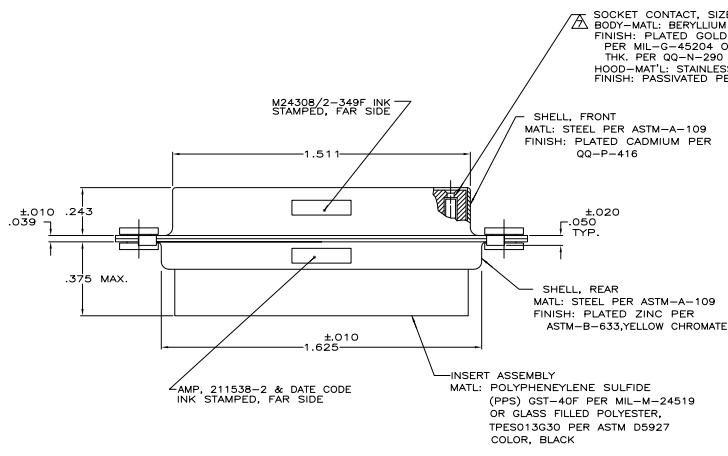
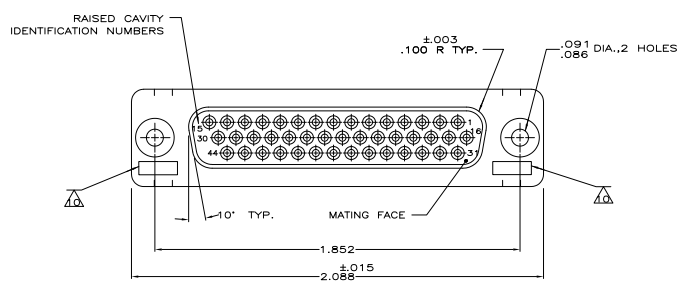


THIS DRAWING IS UNPUBLISHED
 ALL RIGHTS RESERVED

REV	DATE	DESCRIPTION	BY	CHK	APP
DF	DO				
F		REVISED PER ECO-10-02541			



SOCKET CONTACT, SIZE 22, 44 REQ'D.
 BODY-MATL: BERYLLIUM COPPER PER QQ-C-530
 FINISH: PLATED GOLD .000050 MIN. THK.
 PER MIL-G-45204 OVER NICKEL .000050 MIN.
 THK. PER QQ-N-290
 HOOD-MATL: STAINLESS STEEL PER QQ-S-766
 FINISH: PASSIVATED PER QQ-P-35B

SHELL, FRONT
 MATL: STEEL PER ASTM-A-109
 FINISH: PLATED CADMIUM PER
 QQ-P-416

SHELL, REAR
 MATL: STEEL PER ASTM-A-109
 FINISH: PLATED ZINC PER
 ASTM-B-633, YELLOW CHROMATE

FLOATING BUSHING/WASHER, 2 REQ'D.
 MATL: STAINLESS STEEL PER ASTM-A-582
 FINISH: PASSIVATED PER QQ-P-35B
 FLOATS .008 ±.004 VERTICALLY &
 .031 HORIZONTALLY

INSERT ASSEMBLY
 MATL: POLYPHENYLENE SULFIDE
 (PPS) GST-40F PER MIL-M-24519
 OR GLASS FILLED POLYESTER,
 TP5013G30 PER ASTM D5927
 COLOR, BLACK

1. THIS RECEPTACLE WILL MATE WITH ANY 44 POSN. SIZE 3 PLUG IN AMPLIMITE SERIES.
2. MAXIMUM WIRE INSULATION TO BE USED WITH THIS RECEPTACLE IS .054 DIA.
3. SST RETENTION CLIPS ARE INCLUDED IN INSERTS.

- △ PACKAGE STAMPED M24308/2-489F & AMP P/N 211538-1
- △ PACKAGE STAMPED M24308/2-349F & AMP P/N 211538-2
- △ PACKAGE STAMPED M24308/2-360F & AMP P/N 211538-3
- △ AMP P/N 204351-1; MIL P/N 57-354, INCLUDED IN KIT
- △ AMP P/N 91067-1; MIL P/N MB1969/1-04
- △ CONNECTOR SUPPLIED WITHOUT CONTACTS; SHOWN FOR ILLUSTRATION ONLY.
- △ UL/CSA DESIGNATION STAMPED IN THIS AREA, OPTIONAL

SUPSD BY	204540-2 & 91067-1	SAME AS	-1 EXCEPT: △ △ △	211538-3
		SAME AS	-1 EXCEPT: △ △	211538-2
		AS SHOWN	△ △	211538-1

THIS DRAWING IS A CONTROLLED DOCUMENT.		REV	DATE	BY	CHK	APP
DESIGNER	DR	1	11-18-88	DF	DO	
DESIGNED BY	DR	2	11-18-88	DF	DO	
DESIGNED BY	DR	3	11-18-88	DF	DO	
DESIGNED BY	DR	4	11-18-88	DF	DO	
DESIGNED BY	DR	5	11-18-88	DF	DO	
DESIGNED BY	DR	6	11-18-88	DF	DO	
DESIGNED BY	DR	7	11-18-88	DF	DO	
DESIGNED BY	DR	8	11-18-88	DF	DO	
DESIGNED BY	DR	9	11-18-88	DF	DO	
DESIGNED BY	DR	10	11-18-88	DF	DO	
DESIGNED BY	DR	11	11-18-88	DF	DO	
DESIGNED BY	DR	12	11-18-88	DF	DO	
DESIGNED BY	DR	13	11-18-88	DF	DO	
DESIGNED BY	DR	14	11-18-88	DF	DO	
DESIGNED BY	DR	15	11-18-88	DF	DO	
DESIGNED BY	DR	16	11-18-88	DF	DO	
DESIGNED BY	DR	17	11-18-88	DF	DO	
DESIGNED BY	DR	18	11-18-88	DF	DO	
DESIGNED BY	DR	19	11-18-88	DF	DO	
DESIGNED BY	DR	20	11-18-88	DF	DO	
DESIGNED BY	DR	21	11-18-88	DF	DO	
DESIGNED BY	DR	22	11-18-88	DF	DO	
DESIGNED BY	DR	23	11-18-88	DF	DO	
DESIGNED BY	DR	24	11-18-88	DF	DO	
DESIGNED BY	DR	25	11-18-88	DF	DO	
DESIGNED BY	DR	26	11-18-88	DF	DO	
DESIGNED BY	DR	27	11-18-88	DF	DO	
DESIGNED BY	DR	28	11-18-88	DF	DO	
DESIGNED BY	DR	29	11-18-88	DF	DO	
DESIGNED BY	DR	30	11-18-88	DF	DO	
DESIGNED BY	DR	31	11-18-88	DF	DO	
DESIGNED BY	DR	32	11-18-88	DF	DO	
DESIGNED BY	DR	33	11-18-88	DF	DO	
DESIGNED BY	DR	34	11-18-88	DF	DO	
DESIGNED BY	DR	35	11-18-88	DF	DO	
DESIGNED BY	DR	36	11-18-88	DF	DO	
DESIGNED BY	DR	37	11-18-88	DF	DO	
DESIGNED BY	DR	38	11-18-88	DF	DO	
DESIGNED BY	DR	39	11-18-88	DF	DO	
DESIGNED BY	DR	40	11-18-88	DF	DO	
DESIGNED BY	DR	41	11-18-88	DF	DO	
DESIGNED BY	DR	42	11-18-88	DF	DO	
DESIGNED BY	DR	43	11-18-88	DF	DO	
DESIGNED BY	DR	44	11-18-88	DF	DO	
DESIGNED BY	DR	45	11-18-88	DF	DO	
DESIGNED BY	DR	46	11-18-88	DF	DO	
DESIGNED BY	DR	47	11-18-88	DF	DO	
DESIGNED BY	DR	48	11-18-88	DF	DO	
DESIGNED BY	DR	49	11-18-88	DF	DO	
DESIGNED BY	DR	50	11-18-88	DF	DO	