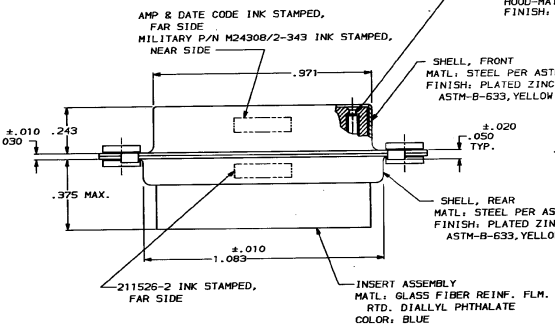
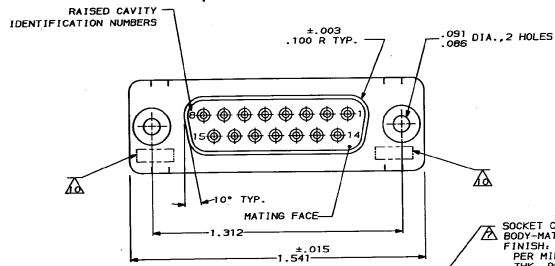
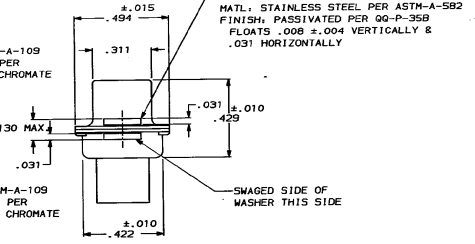
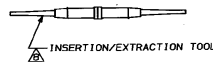


REV	DATE	DESCRIPTION	BY	CHK
1		REV-ECN DF-1034	MC	TC



SOCKET CONTACT, SIZE 20, 15 REQ'D.
 BODY-MATL: BERYLLIUM COPPER PER QQ-C-530
 FINISH: PLATED GOLD .000050 MIN. THK.
 PER MIL-G-45204 OVER COPPER .000100 MIN.
 THK. PER MIL-C-14550
 HOOD-MATL: STAINLESS STEEL PER QQ-S-766
 FINISH: PASSIVATED PER QQ-P-358



- THIS RECEPTACLE WILL MATE WITH ANY 15 POSN. SIZE 2 PLUG IN ANPLIMITE SERIES.
- MAXIMUM WIRE INSULATION TO BE USED WITH THIS RECEPTACLE IS .069 DIA.
- SST RETENTION CLIPS ARE INCLUDED IN INSERTS.

- PACKAGE STAMPED M24308/2-4B3 & AMP P/N 211526-1
- PACKAGE STAMPED M24308/2-343 & AMP P/N 211526-2
- PACKAGE STAMPED M24308/2-354 & AMP P/N 211526-3
- AMP P/N 205090-1, MIL P/N 63-368, INCLUDED IN KIT.
- AMP P/N 91067-2, MIL P/N M81969/1-02.
- CONNECTOR SUPPLIED WITHOUT CONTACTS, SHOWN FOR ILLUSTRATION ONLY.
- UL/CSA DESIGNATION STAMPED IN THIS AREA.

SAME AS -1 EXCEPT	211526-3
SAME AS -1 EXCEPT	211526-2
AS SHOWN	211526-1

DESCRIPTION	
DO NOT SCALE PRINT. DIMENSIONS IN INCHES TOLERANCES FINISH MATERIAL SEE CALLOUT	DR 2-1-85 D. BROWN CHK 8-18-85 R. BROTHERS APP'D 9-20-85 E. ROYER AMP'D 9-25-85 G. SIKORA PROJECT SPEC APPLICATION SPEC SIZE D FISH NO 00779 SCALE NTS
AMP INCORPORATED RECEPTACLE ASS'Y., ANPLIMITE 15 POSN., SIZE 2, SERIES 109, W/DUAL FLOAT BUSHINGS DRAWING NO 211526 SHEET 1 OF 1	

CUSTOMER DRAWING