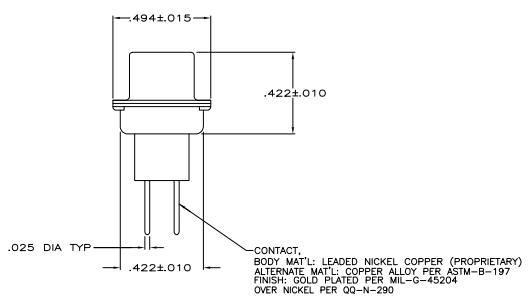
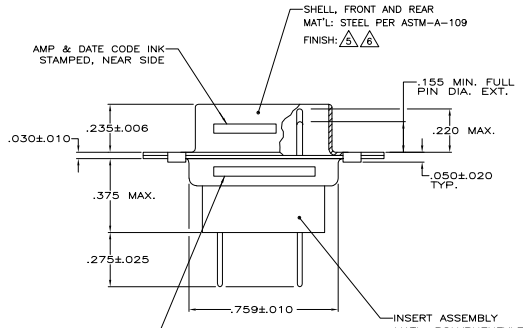


RECOMMENDED P.C. BOARD LAYOUT



- .040 DIA HOLE IS RECOMMENDED FOR P.C. BOARD
 - CONNECTOR MATES WITH ANY AMP 15 POSN RECEPTACLE
 - REPLACEMENT PIN AMP# 207683-8
- Δ UL/CSA DESIGNATION STAMPED IN THIS AREA.
 Δ FINISH: CADMIUM PER QQ-P-416
 Δ FINISH: ZINC PLATED PER ASTM-B-633, .000200-.000400 THK WITH SUPPLEMENTARY CHROMATE (Cr3+)

PLATED PER Δ	5-208866-1
PLATED PER Δ	208866-1
DESCRIPTION	PART NO.

THIS DRAWING IS A CONTROLLED DOCUMENT.		ELECTRONICS CORPORATION	
DESIGNER: J. THOMAS		DATE: 11-78	
CHECKER: J. BALLEW III		DATE: 1-79	
DRAWN: J. BALLEW III		DATE: 1-79	
INSTRUMENTS: SEE CALLOUTS		MATERIAL: SEE CALLOUTS	
FINISH: SEE CALLOUTS		REVISIONS: SEE CALLOUTS	
SEE CALLOUTS		SEE CALLOUTS	
CUSTOMER DRAWING		REV: 4:1	