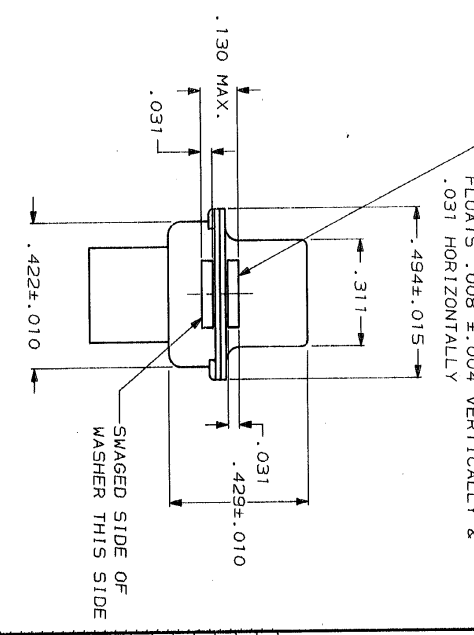
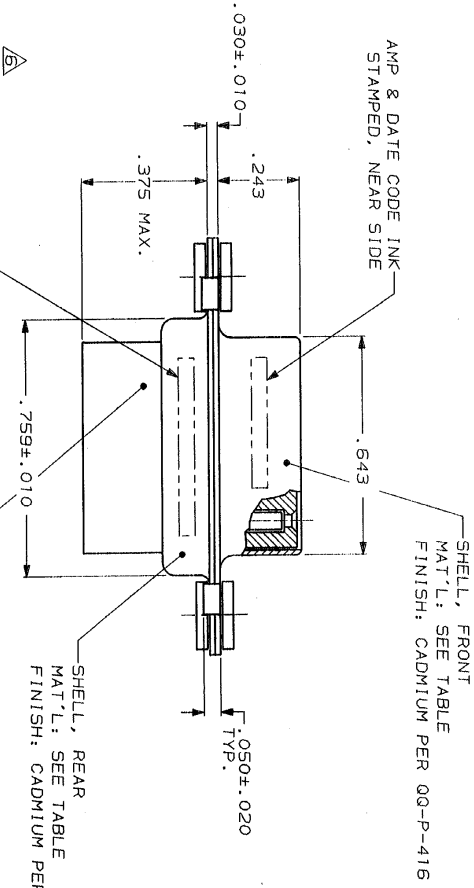
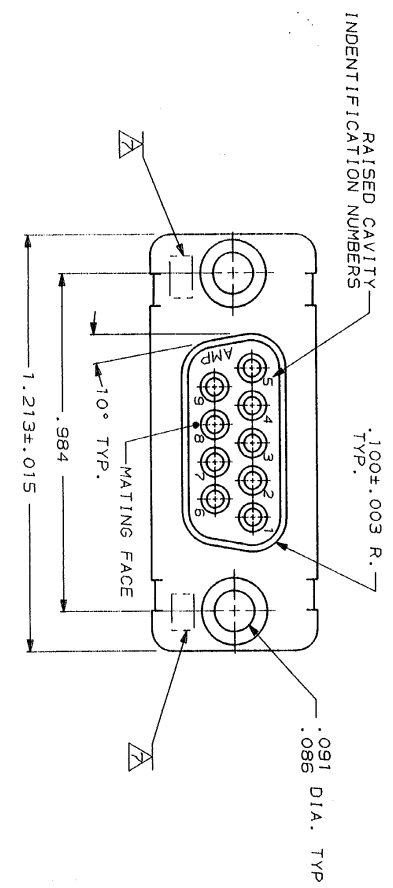


PROJ	5066	DC	DF	0151	DO	REV	DATE	APPD
ZONE	LJR	REV	8	DF-0150	CCT	12-9	87	-
DESCRIPTION	CONNECTION		CONNECTION		CONNECTION		CONNECTION	
DESCRIPTION	CONNECTION		CONNECTION		CONNECTION		CONNECTION	
DESCRIPTION	CONNECTION		CONNECTION		CONNECTION		CONNECTION	



- THIS RCPT. IS DESIGNED TO CONFORM TO THE LATEST ISSUE OF MIL-C-24308
- MAX WIRE INSUL TO BE USED WITH THIS RCPT IS .068 DIA
- STAINLESS STEEL RETENTION CLIPS ARE INCLUDED IN INSERTS
- PACKAGE STAMPED M24308/2-292F
- THIS RCPT. WILL ACCEPT SIZE 20 SOCKET CONTACT M24308/10 OR AMP # 205090

AMP PART NO. INK STAMPED, NEAR SIDE M24308/2-29F INK STAMPED, FAR SIDE	INSERT ASSEMBLY MAT'L: GLASS FIBER REINF., FLAME RTD. POLYESTER COLOR: BLUE
DO NOT SCALE PRINT. UNLESS SPECIFIED DIMENSIONS IN INCHES 1 P.C DEC ± .01 2 P.C DEC ± .005 3 P.C DEC ± 0.30	DR 12-9-87 C.C. THOMAS CHK 12-10-87 FC BALLEW 111
MATERIAL SEE CALLOUTS	APPD 12-10-87 FC BALLEW 111 APPD 12-10-87 DJH
FINISH SEE CALLOUTS	NAME AMP LITE RCPT. FOR SOCKET CONTACTS HI-DENSITY "HDM-20" CONNECTOR SIZE 1 (9 POSN) SERIES 109 WITH FLOAT BUSHINGS
SEE CALLOUTS	AMP INCORPORATED MILWAUKEE, WIS 53155
SEE CALLOUTS	STEEL PER ASTM-A-109
SEE CALLOUTS	BRASS
SEE CALLOUTS	205416-2
SEE CALLOUTS	205416-1
SEE CALLOUTS	PART NO

AMP 12-10-87 REV 3-87
 CUSTOMER DRAWING
 SHEET 1 OF 1