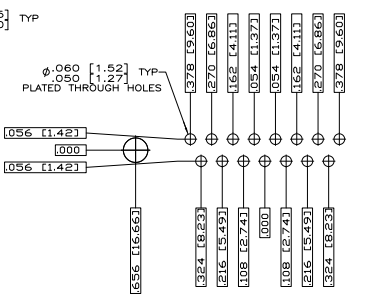
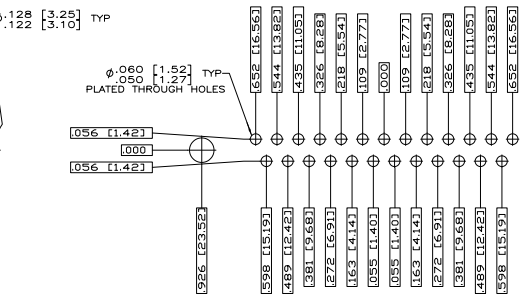


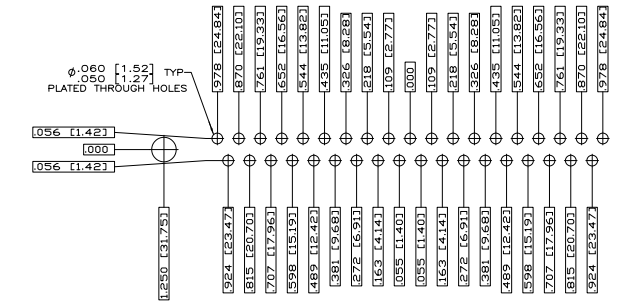
RECOMMENDED P.C. BOARD LAYOUT
 SHELL SIZE 1 (9 POSITION) ▲



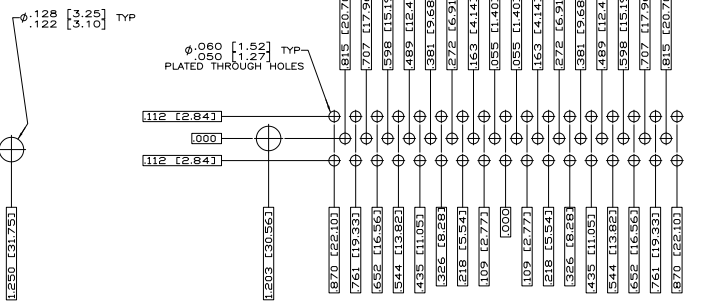
RECOMMENDED P.C. BOARD LAYOUT
 SHELL SIZE 2 (15 POSITION) ▲



RECOMMENDED P.C. BOARD LAYOUT
 SHELL SIZE 3 (25 POSITION) ▲



RECOMMENDED P.C. BOARD LAYOUT
 SHELL SIZE 4 (37 POSITION) ▲



RECOMMENDED P.C. BOARD LAYOUT
 SHELL SIZE 5 (50 POSITION) ▲

THIS DRAWING IS A CONTROLLED DOCUMENT.		TYS ELECTRONICS CORPORATION	
DESIGNED BY: J. THOMAS		Harrisburg, PA 17105-3608	
DRAWN BY: J. THOMAS		TYS ELECTRONICS CORPORATION	
CHECKED BY: J. THOMAS		PLUG ASSY AMP/LMTE	
APPROVED BY: J. THOMAS		RIGHT ANGLE SERIES 109 SIZE	
DATE: 10/1/79		1 THRU 5	
CUSTOMER DRAWING: 100779		G-1757845	
REV: 1		REV: 1	
SHEET: 4.1		SHEET: 2 OF 2	