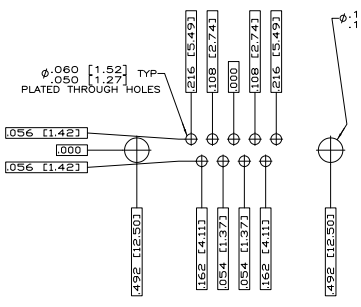
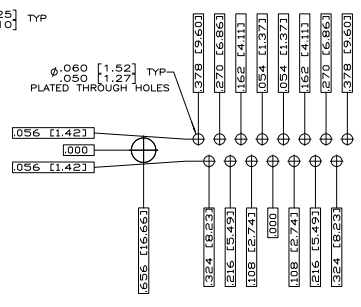


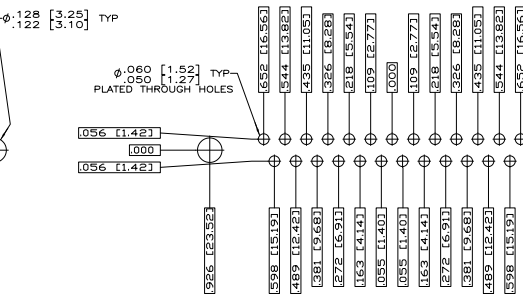
REV	DATE	DESCRIPTION	BY	CHK	APP
DF	DO				
		SEE SHEET 1			



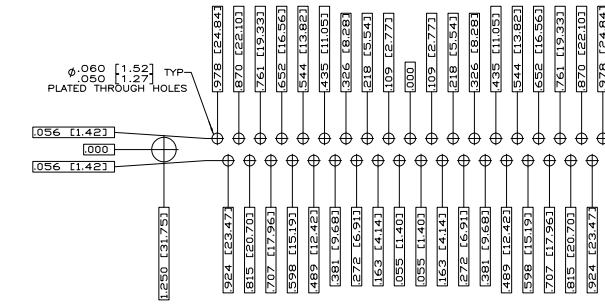
RECOMMENDED P.C. BOARD LAYOUT
 SHELL SIZE 1 (9 POSITION) ▲



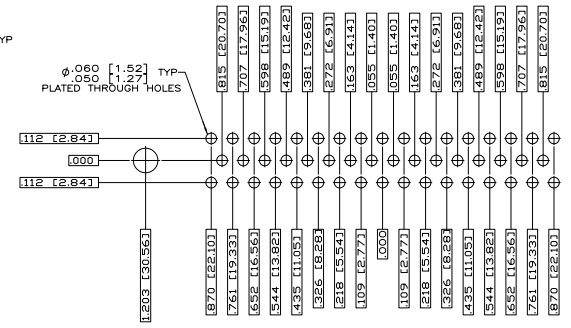
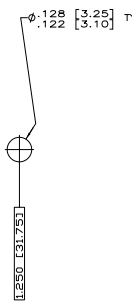
RECOMMENDED P.C. BOARD LAYOUT
 SHELL SIZE 2 (15 POSITION) ▲



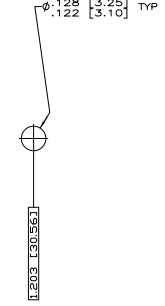
RECOMMENDED P.C. BOARD LAYOUT
 SHELL SIZE 3 (25 POSITION) ▲



RECOMMENDED P.C. BOARD LAYOUT
 SHELL SIZE 4 (37 POSITION) ▲



RECOMMENDED P.C. BOARD LAYOUT
 SHELL SIZE 5 (50 POSITION) ▲



THIS DRAWING IS A CONTROLLED DOCUMENT.		TYS ELECTRONICS CORPORATION	
DESIGNED BY: J. THOMAS		Harrisburg, PA 17105-3608	
CHECKED BY: J. THOMAS		DATE: 11/10/79	
DRAWN BY: J. THOMAS		DATE: 11/10/79	
PROJECT: PLUG ASSY		RIGHT ANGLE SERIES 109, SIZE 1 THRU 5	
CUSTOMER DRAWING: A100779		G=1757841	
REV: 1		REV: 1	
SHEET: 4.1		SHEET: 2 OF 2	