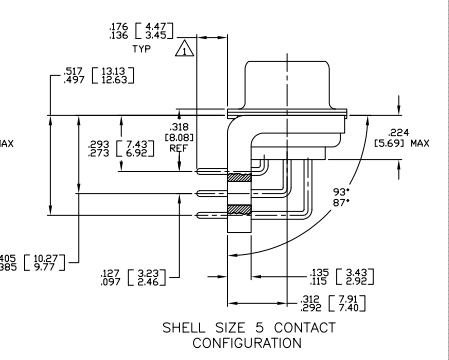
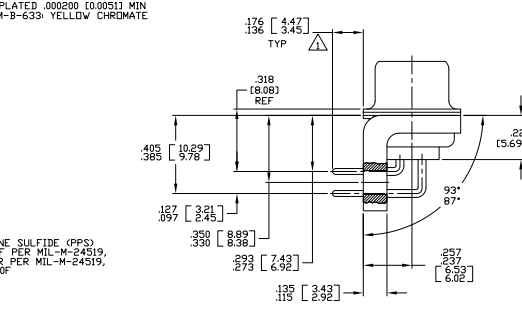
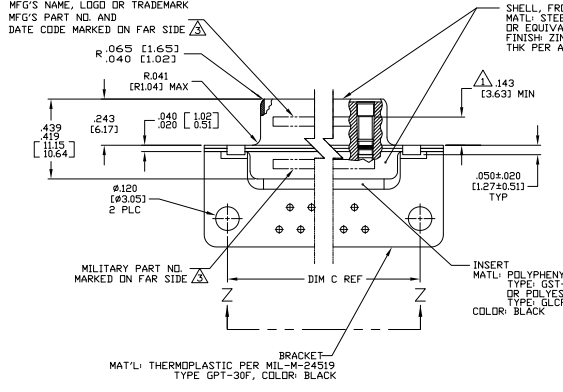
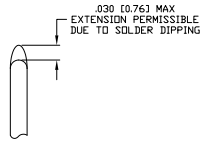


- SEE SHEET 2 FOR RECOMMENDED P.C. BOARD LAYOUT. TRUE POSITION TOLERANCE FOR P.C. BOARD LAYOUT IS .010 (0.25) AT MAX MATERIAL CONDITION. SUGGESTED BOARD THICKNESS IS .062 (1.57)
- THE CONNECTORS DESCRIBED IN THIS DOCUMENT MEET THE REQUIREMENTS OF MIL-C-24308 AND MATE WITH ANY PLUG CONNECTOR WITH SAME INSERT ARRANGEMENT.
- MARKED WITH .047 (1.19)-.052 (1.37) HIGH CHARACTERS. FAR SIDE REFERS TO THE WIDE SIDE OF THE KEYSTONE. NEAR SIDE REFERS TO THE NARROW SIDE OF THE KEYSTONE. IF THE REAR SHELL IS TOO SMALL FOR THE ENTIRE MILITARY PART NUMBER, MARKING SHALL BE LOCATED AS FOLLOWS:
 - A. "M24308" ON FRONT SHELL, FAR SIDE.
 - B. SLASH SHEET AND DASH NUMBER ON REAR SHELL, FAR SIDE.
 - C. "MFG'S NAME, LOGO OR TRADEMARK" AND DATE CODE ON FRONT SHELL, NEAR SIDE.
 - D. MFG'S PART NUMBER ON REAR SHELL, NEAR SIDE.
- IF THE FRONT SHELL IS TOO SMALL FOR "MFG'S NAME, LOGO OR TRADEMARK", MFG PART NO AND DATE CODE MARKING SHALL BE SPLIT AS FOLLOWS:
 - A. MFG'S PART NUMBER ON REAR SHELL, NEAR SIDE.
 - B. "MFG'S NAME, LOGO OR TRADEMARK" AND DATE CODE ON FRONT SHELL, NEAR SIDE.
 - C. MILITARY PART NUMBER ON REAR SHELL, FAR SIDE.
- POINT OF ELECTRICAL ENGAGEMENT - AS MEASURED WITH A .0390-.0393 (0.991-0.998) DIA SQUARE ENDED PIN.
- SOLDER DIPPED PER J-STP-001 WITH S-63 SOLDER PER J-STP-006 IN THE ENTIRE AREA OF DIMENSION SHOWN (1757838-6 THRU -10 ONLY).
- MEETS SOLDERABILITY PER MIL-STD-202 METHOD 208.



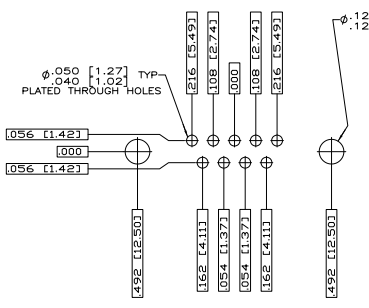
DIM J	DIM H	DIM E	DIM D	DIM C	DIM B	DIM A	INSERT ARRANGEMENT	NO OF POS	SHELL SIZE	MILITARY P/N ON CONNECTOR	MFG PART NO.	
.544 [13.82]	2.188 [55.58]	.620 [15.75]	.428 [10.87]	2.411 [61.24]	2.069 [52.55]	2.650 [67.31]	MS18277-1	50	5	M24308/23-35	1757838-5	1-1757838-0
.524 [13.31]	2.188 [55.57]	.590 [14.99]	.418 [10.69]	2.401 [60.99]	2.059 [52.30]	2.620 [66.55]	MS18276-1	37	4	M24308/23-34	1757838-4	1757838-9
.432 [10.97]	2.282 [57.96]	.509 [12.93]	.316 [8.03]	2.505 [63.63]	2.164 [54.97]	2.744 [69.70]	MS18275-1	25	3	M24308/23-33	1757838-3	1757838-8
.412 [10.46]	2.282 [57.95]	.479 [12.17]	.306 [7.77]	2.495 [63.37]	2.154 [54.71]	2.714 [68.94]	MS18274-1	15	2	M24308/23-32	1757838-2	1757838-7
.432 [10.97]	1.635 [41.53]	.509 [12.93]	.316 [8.03]	1.857 [47.17]	1.516 [38.51]	2.103 [53.42]	MS18273-1	9	1	M24308/23-31	1757838-1	1757838-6
.412 [10.46]	1.635 [41.52]	.479 [12.17]	.306 [7.77]	1.847 [46.91]	1.506 [38.25]	2.073 [52.65]	MS18277-1	50	5	M24308/23-35	1757838-5	1757838-9
.432 [10.97]	1.093 [27.76]	.479 [12.17]	.306 [7.77]	1.307 [33.20]	.966 [24.54]	1.526 [38.76]	MS18276-1	37	4	M24308/23-34	1757838-4	1757838-8
.412 [10.46]	1.073 [27.25]	.479 [12.17]	.306 [7.77]	1.307 [33.20]	.966 [24.54]	1.526 [38.76]	MS18275-1	25	3	M24308/23-33	1757838-3	1757838-7
.432 [10.97]	1.635 [41.53]	.509 [12.93]	.316 [8.03]	1.857 [47.17]	1.516 [38.51]	2.103 [53.42]	MS18273-1	15	2	M24308/23-32	1757838-2	1757838-6
.412 [10.46]	1.635 [41.52]	.479 [12.17]	.306 [7.77]	1.847 [46.91]	1.506 [38.25]	2.073 [52.65]	MS18277-1	50	5	M24308/23-35	1757838-5	1757838-9
.432 [10.97]	1.093 [27.76]	.479 [12.17]	.306 [7.77]	1.307 [33.20]	.966 [24.54]	1.526 [38.76]	MS18276-1	37	4	M24308/23-34	1757838-4	1757838-8
.412 [10.46]	1.073 [27.25]	.479 [12.17]	.306 [7.77]	1.307 [33.20]	.966 [24.54]	1.526 [38.76]	MS18275-1	25	3	M24308/23-33	1757838-3	1757838-7
.432 [10.97]	1.635 [41.53]	.509 [12.93]	.316 [8.03]	1.857 [47.17]	1.516 [38.51]	2.103 [53.42]	MS18273-1	9	1	M24308/23-31	1757838-1	1757838-5
.412 [10.46]	1.635 [41.52]	.479 [12.17]	.306 [7.77]	1.847 [46.91]	1.506 [38.25]	2.073 [52.65]	MS18277-1	50	5	M24308/23-35	1757838-5	1757838-9
.432 [10.97]	1.093 [27.76]	.479 [12.17]	.306 [7.77]	1.307 [33.20]	.966 [24.54]	1.526 [38.76]	MS18276-1	37	4	M24308/23-34	1757838-4	1757838-8
.412 [10.46]	1.073 [27.25]	.479 [12.17]	.306 [7.77]	1.307 [33.20]	.966 [24.54]	1.526 [38.76]	MS18275-1	25	3	M24308/23-33	1757838-3	1757838-7



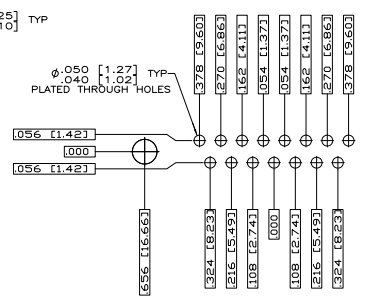
THIS DRAWING IS A CONTROLLED DOCUMENT. THIS DRAWING IS THE PROPERTY OF MILITARY ELECTRONICS CORPORATION. IT IS TO BE KEPT IN CONFIDENTIALITY AND NOT TO BE REPRODUCED OR DISCLOSED TO THE PUBLIC WITHOUT THE WRITTEN PERMISSION OF MILITARY ELECTRONICS CORPORATION.

RECEIPTABLE ASSEMBLY/AMPLIFIER/RT ANGLE, SERIES 109, SIZE 1 THRU 5

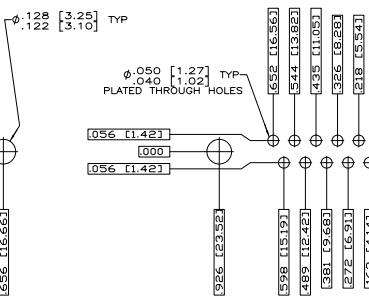
DATE: 10/07/79 DRAWING NO: 1757838-6



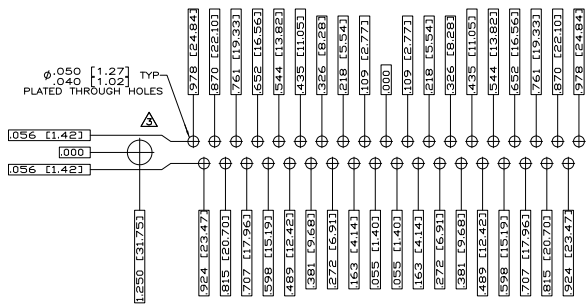
RECOMMENDED P.C. BOARD LAYOUT SHELL SIZE 1 (9 POSITION) △



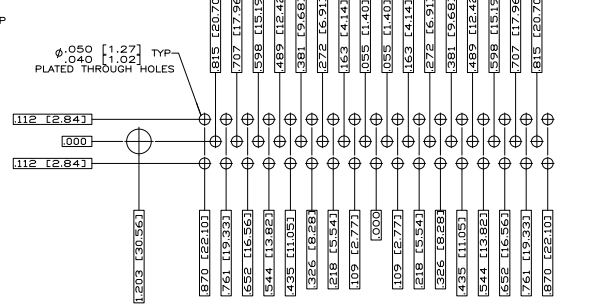
RECOMMENDED P.C. BOARD LAYOUT SHELL SIZE 2 (15 POSITION) △



RECOMMENDED P.C. BOARD LAYOUT SHELL SIZE 3 (25 POSITION) △



RECOMMENDED P.C. BOARD LAYOUT SHELL SIZE 4 (37 POSITION) △



RECOMMENDED P.C. BOARD LAYOUT SHELL SIZE 5 (50 POSITION) △

THIS DRAWING IS A CONTROLLED DOCUMENT.		REV. C. THOMAS	2-21-78	Tyco Electronics Corporation Harrisburg, Pa 17105-3008
DIMENSIONS IN MILLIMETERS DIMENSIONS IN INCHES UNLESS OTHERWISE SPECIFIED	DIMENSIONS IN MILLIMETERS DIMENSIONS IN INCHES UNLESS OTHERWISE SPECIFIED	W. MILLER	3-27-78	
SEE CALLOUTS		RECEPTACLE ASSEMBLY, AMP/LITE/RT ANGLE, SERIES 109, SIZE 1 THRU 5		SIZE: A1 DATE: 00779 DRAWING NO: 1757838 CUSTOMER DRAWING: 1757838