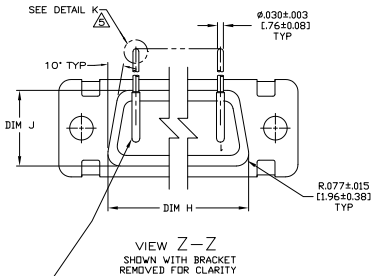
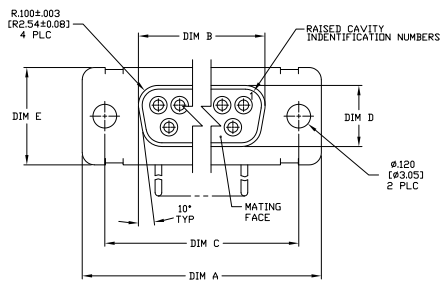
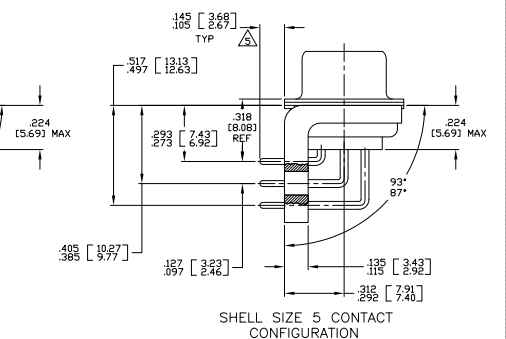
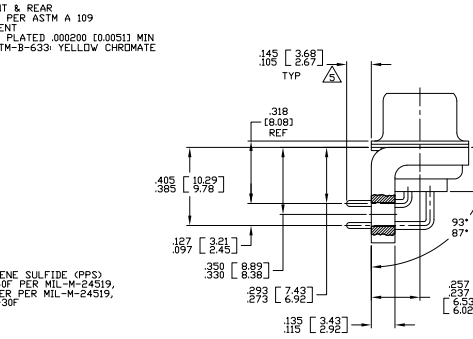
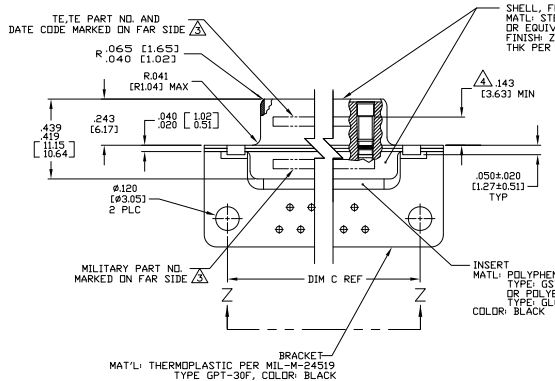


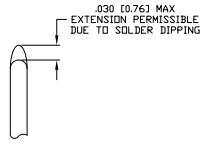
THIS DRAWING IS UNCLASSIFIED
 UNLESS INDICATED OTHERWISE
 ALL INFORMATION IS UNCLASSIFIED
 DATE 03/05/01 BY 1043/UC/BAW/STP



- SEE SHEET 2 FOR RECOMMENDED P.C. BOARD LAYOUT. TRUE POSITION TOLERANCE FOR P.C. BOARD LAYOUT IS .010 (0.25) AT MAX MATERIAL CONDITION. SUGGESTED BOARD THICKNESS IS .062 (1.57)
- THE CONNECTORS DESCRIBED IN THIS DOCUMENT MEET THE REQUIREMENTS OF MIL-C-24308 AND MATE WITH ANY PLUG CONNECTOR WITH SAME INSERT ARRANGEMENT.
- MARKED WITH .047 (1.19)-.062 (1.57) HIGH CHARACTERS. FAR SIDE REFERS TO THE WIDE SIDE OF THE KEYSTONE. NEAR SIDE REFERS TO THE NARROW SIDE OF THE KEYSTONE. IF THE REAR SHELL IS TOO SMALL FOR THE ENTIRE MILITARY PART NUMBER, MARKING SHALL BE LOCATED AS FOLLOWS:
- A. "M24308" ON FRONT SHELL, FAR SIDE.
 - B. SLASH SHEET AND DASH NUMBER ON REAR SHELL, FAR SIDE.
 - C. "TE" AND DATE CODE ON FRONT SHELL, NEAR SIDE.
 - D. TE PART NUMBER ON REAR SHELL, FAR SIDE.
- IF THE FRONT SHELL IS TOO SMALL FOR "TE", TE PART NUMBER AND DATE CODE, MARKING SHALL BE SPLIT AS FOLLOWS:
- A. TE PART NUMBER ON REAR SHELL, NEAR SIDE.
 - B. "TE" AND DATE CODE ON FRONT SHELL, NEAR SIDE.
 - C. MILITARY PART NUMBER ON REAR SHELL, FAR SIDE.
- POINT OF ELECTRICAL ENGAGEMENT - AS MEASURED WITH A .0390-.0393 (0.991-0.998) DIA SQUARE ENDED PIN.
- SOLDER DIPPED PER J-STD-001 WITH Sn63 SOLDER PER J-STD-006 IN THE ENTIRE AREA OF DIMENSION SHOWN. (1757836-6 THRU -10 ONLY)
- MEETS SOLDERABILITY PER MIL-STD-202 METHOD 20B.



DIM J	DIM H	DIM E	DIM D	DIM C	DIM B	DIM A	INSERT ARRANGEMENT	NO OF POS	SHELL SIZE	MILITARY P/N ON CONNECTOR	TE PART NO.	
.544 [13.82]	2.188 [55.58]	.620 [15.75]	.428 [10.87]	2.411 [61.24]	2.069 [52.55]	2.650 [67.31]	MS18277-1	50	5	M24308/23-29	1757836-5	1-1757836-0
.524 [13.31]	2.188 [55.58]	.590 [14.99]	.418 [10.69]	2.401 [60.99]	2.059 [52.30]	2.620 [66.55]	MS18277-1	37	4	M24308/23-28	1757836-4	1757836-9
.432 [10.97]	2.282 [57.96]	.509 [12.93]	.316 [8.03]	2.505 [63.63]	2.164 [54.97]	2.744 [69.70]	MS18276-1	37	4	M24308/23-28	1757836-4	1757836-9
.412 [10.46]	2.282 [57.96]	.478 [12.17]	.306 [7.77]	2.485 [63.37]	2.154 [54.71]	2.714 [68.94]	MS18275-1	25	3	M24308/23-27	1757836-3	1757836-8
.432 [10.97]	1.635 [41.53]	.509 [12.93]	.316 [8.03]	1.857 [47.17]	1.516 [38.51]	2.103 [53.42]	MS18275-1	25	3	M24308/23-27	1757836-3	1757836-8
.412 [10.46]	1.615 [41.02]	.478 [12.17]	.306 [7.77]	1.847 [46.91]	1.506 [38.25]	2.073 [52.65]	MS18274-1	15	2	M24308/23-26	1757836-2	1757836-7
.432 [10.97]	1.093 [27.76]	.509 [12.93]	.316 [8.03]	1.317 [33.45]	.976 [24.79]	1.506 [38.25]	MS18275-1	25	3	M24308/23-27	1757836-3	1757836-8
.412 [10.46]	1.073 [27.25]	.478 [12.17]	.306 [7.77]	1.307 [33.20]	.966 [24.54]	1.526 [38.76]	MS18274-1	15	2	M24308/23-26	1757836-2	1757836-7
.432 [10.97]	.749 [19.02]	.509 [12.93]	.316 [8.03]	.989 [25.12]	.648 [16.46]	1.228 [31.19]	MS18273-1	9	1	M24308/23-25	1757836-1	1757836-6
.412 [10.46]	.749 [19.02]	.478 [12.17]	.306 [7.77]	.979 [24.87]	.638 [16.21]	1.198 [30.43]	MS18273-1	9	1	M24308/23-25	1757836-1	1757836-6
.544 [13.82]	2.188 [55.58]	.620 [15.75]	.428 [10.87]	2.411 [61.24]	2.069 [52.55]	2.650 [67.31]	MS18277-1	50	5	M24308/23-29	1757836-5	1757836-9
.524 [13.31]	2.188 [55.58]	.590 [14.99]	.418 [10.69]	2.401 [60.99]	2.059 [52.30]	2.620 [66.55]	MS18277-1	37	4	M24308/23-28	1757836-4	1757836-9
.432 [10.97]	2.282 [57.96]	.509 [12.93]	.316 [8.03]	2.505 [63.63]	2.164 [54.97]	2.744 [69.70]	MS18276-1	37	4	M24308/23-28	1757836-4	1757836-9
.412 [10.46]	2.282 [57.96]	.478 [12.17]	.306 [7.77]	2.485 [63.37]	2.154 [54.71]	2.714 [68.94]	MS18276-1	25	3	M24308/23-27	1757836-3	1757836-8
.432 [10.97]	1.635 [41.53]	.509 [12.93]	.316 [8.03]	1.857 [47.17]	1.516 [38.51]	2.103 [53.42]	MS18275-1	25	3	M24308/23-27	1757836-3	1757836-8
.412 [10.46]	1.615 [41.02]	.478 [12.17]	.306 [7.77]	1.847 [46.91]	1.506 [38.25]	2.073 [52.65]	MS18274-1	15	2	M24308/23-26	1757836-2	1757836-7
.432 [10.97]	1.093 [27.76]	.509 [12.93]	.316 [8.03]	1.317 [33.45]	.976 [24.79]	1.506 [38.25]	MS18275-1	25	3	M24308/23-27	1757836-3	1757836-8
.412 [10.46]	1.073 [27.25]	.478 [12.17]	.306 [7.77]	1.307 [33.20]	.966 [24.54]	1.526 [38.76]	MS18274-1	15	2	M24308/23-26	1757836-2	1757836-7
.432 [10.97]	.749 [19.02]	.509 [12.93]	.316 [8.03]	.989 [25.12]	.648 [16.46]	1.228 [31.19]	MS18273-1	9	1	M24308/23-25	1757836-1	1757836-6
.412 [10.46]	.749 [19.02]	.478 [12.17]	.306 [7.77]	.979 [24.87]	.638 [16.21]	1.198 [30.43]	MS18273-1	9	1	M24308/23-25	1757836-1	1757836-6



DETAIL K
 SCALE 10:1
 FOR 1757836-6 THRU -10 ONLY

THIS DRAWING IS A CONTROLLED DOCUMENT. DATE 03/05/01 BY 1043/UC/BAW/STP

REVISIONS

REV	DESCRIPTION	DATE	BY	APP'D
1	REV PER ECD 10-02096	10-8-10	CT	DM

RECEIPTABLE ASSEMBLY/AMPLIFIER/RT ANGLE, SERIES 109, SIZE 1 THRU 5

DATE 03/05/01 BY 1043/UC/BAW/STP

CUSTOMER DRAWING: A100779 ©=1757836

DATE 4.1 SHEET 1 OF 2

