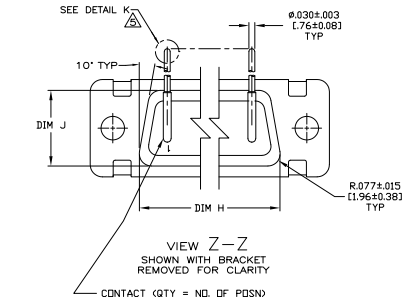
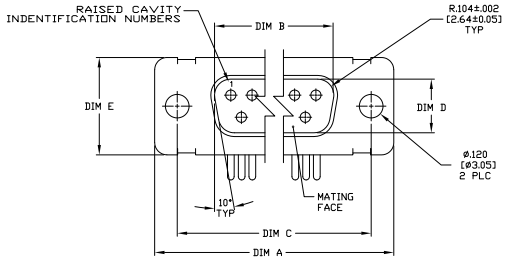


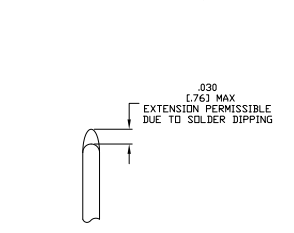
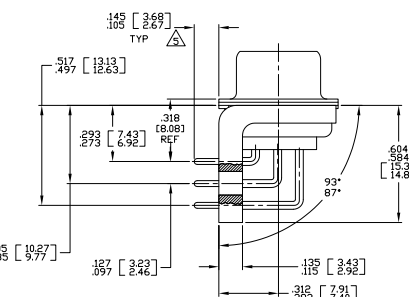
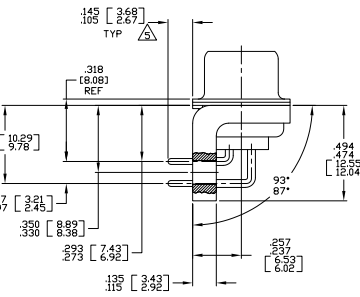
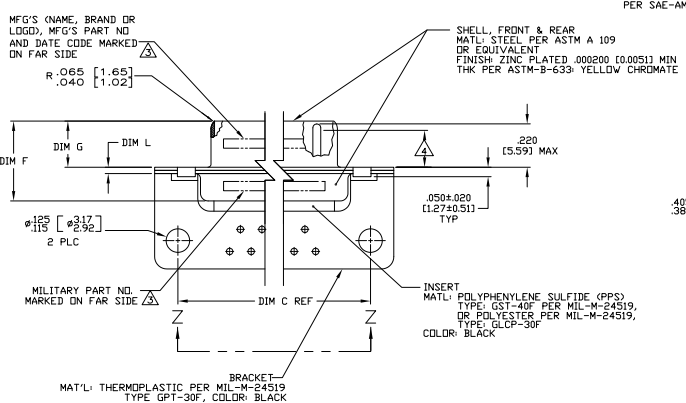
THIS DRAWING IS UNCLASSIFIED
 UNLESS INDICATED OTHERWISE
 REVISIONS FOR MODIFICATION
 ALL RIGHTS RESERVED

REV	DATE	DESCRIPTION	BY	CHK	APP
0	RELEASED				
A	REV PER ECN-08-018782				



- 1. SEE SHEET 2 FOR RECOMMENDED P.C. BOARD LAYOUT. TRUE POSITION TOLERANCE FOR P.C. BOARD LAYOUT IS .010 (0.25) AT MAX MATERIAL CONDITION. SUGGESTED BOARD THICKNESS IS .066 (1.57).
- 2. THE CONNECTORS DESCRIBED IN THIS DOCUMENT MEET THE REQUIREMENTS OF MIL-C-24308 AND MATE WITH ANY RECEPTACLE CONNECTOR WITH SAME INSERT ARRANGEMENT.
- 3. MARKED WITH .047 (1.19)-.062 (1.57) HIGH CHARACTERS. FAR SIDE REFERS TO THE WIDE SIDE OF THE KEYSTONE. NEAR SIDE REFERS TO THE NARROW SIDE OF THE KEYSTONE. IF THE SHELL IS TOO SMALL FOR THE ENTIRE MARKING MARKING SHALL BE SPLIT AS FOLLOWS:
 - A. "M24308" ON FRONT SHELL, FAR SIDE.
 - B. SLASH SHEET AND DASH NUMBER ON REAR SHELL, FAR SIDE.
 - C. "MFG'S" (NAME, BRAND OR LOGO), AND DATE CODE ON FRONT SHELL, NEAR SIDE.
 - D. MFG'S PART NUMBER ON REAR SHELL, NEAR SIDE.
- 4. REQUIREMENT FOR FULL PIN DIAMETER EXTENSION: .159 (4.04) MIN, SHELL SIZES 1 AND 2; .150 (3.81) MIN, SHELL SIZES 3 AND 4.
- 5. SOLDER DIPPED PER J-STD-001 WITH S63 SOLDER PER J-STD-006 IN THE ENTIRE AREA OF DIMENSION SHOWN (1757835-6 THRU -10 ONLY).
- 6. MEETS SOLDERABILITY PER MIL-STD-202 METHOD 208.

CONTACT (QTY = NO OF POSN)
 MATL: BRASS PER ASTM-B-16, OR BERYLLIUM COPPER PER ASTM-B-194
 FINISH: GOLD PER ASTM-B-488, TYPE II, GRADE C, CLASS 127 IN CONTACT MATING AREA, .000010 (0.0003) MIN THK GOLD PER ASTM-B-488 OVER .000050 (0.0013) MIN THK NICKEL PER SAE-AMS-00-N-290 ON CONTACT BODY



DIM L	DIM J	DIM H	DIM G	DIM F	DIM E	DIM D	DIM C	DIM B	DIM A
.049 [1.24]	.544 [13.82]	2.188 [55.58]	.236 [5.99]	.436 [11.07]	.620 [15.75]	.446 [11.33]	2.411 [61.24]	2.084 [52.95]	2.650 [67.31]
.029 [0.74]	.524 [13.31]	2.168 [55.07]	.224 [5.69]	.416 [10.57]	.590 [14.95]	.436 [11.07]	2.401 [60.99]	2.074 [52.90]	2.620 [66.50]
.049 [1.24]	.432 [10.97]	2.282 [57.96]	.236 [5.99]	.436 [11.07]	.509 [12.97]	.334 [8.48]	2.505 [63.63]	2.187 [54.97]	2.744 [69.71]
.029 [0.74]	.412 [10.46]	2.262 [57.45]	.224 [5.69]	.416 [10.57]	.479 [12.17]	.324 [8.23]	2.495 [63.37]	2.177 [54.71]	2.714 [68.94]
.049 [1.24]	.432 [10.97]	1.635 [41.53]	.236 [5.99]	.436 [11.07]	.509 [12.97]	.334 [8.48]	1.857 [47.17]	1.539 [38.91]	2.103 [53.44]
.029 [0.74]	.412 [10.46]	1.615 [41.02]	.224 [5.69]	.416 [10.57]	.479 [12.17]	.324 [8.23]	1.847 [46.91]	1.529 [38.82]	2.073 [52.65]
.040 [1.02]	.432 [10.97]	1.053 [26.76]	.238 [6.05]	.436 [11.07]	.509 [12.97]	.334 [8.48]	1.317 [33.45]	.999 [24.99]	1.156 [29.32]
.020 [0.51]	.412 [10.46]	1.073 [27.25]	.229 [5.82]	.416 [10.46]	.479 [12.17]	.324 [8.23]	1.307 [33.20]	.989 [24.84]	1.126 [28.72]
.040 [1.02]	.432 [10.97]	.749 [19.33]	.238 [6.05]	.436 [11.07]	.509 [12.97]	.334 [8.48]	.989 [24.87]	.671 [16.46]	1.228 [31.19]
.020 [0.51]	.412 [10.46]	.749 [19.02]	.229 [5.82]	.416 [10.46]	.479 [12.17]	.324 [8.23]	.979 [24.87]	.661 [16.27]	1.198 [30.43]
.049 [1.24]	.544 [13.82]	2.188 [55.58]	.236 [5.99]	.436 [11.07]	.620 [15.75]	.446 [11.33]	2.411 [61.24]	2.084 [52.95]	2.650 [67.31]
.029 [0.74]	.524 [13.31]	2.168 [55.07]	.224 [5.69]	.416 [10.57]	.590 [14.95]	.436 [11.07]	2.401 [60.99]	2.074 [52.90]	2.620 [66.50]
.049 [1.24]	.432 [10.97]	2.282 [57.96]	.236 [5.99]	.436 [11.07]	.509 [12.97]	.334 [8.48]	2.505 [63.63]	2.187 [54.97]	2.744 [69.71]
.029 [0.74]	.412 [10.46]	2.262 [57.45]	.224 [5.69]	.416 [10.57]	.479 [12.17]	.324 [8.23]	2.495 [63.37]	2.177 [54.71]	2.714 [68.94]
.049 [1.24]	.432 [10.97]	1.635 [41.53]	.236 [5.99]	.436 [11.07]	.509 [12.97]	.334 [8.48]	1.857 [47.17]	1.539 [38.91]	2.103 [53.44]
.029 [0.74]	.412 [10.46]	1.615 [41.02]	.224 [5.69]	.416 [10.57]	.479 [12.17]	.324 [8.23]	1.847 [46.91]	1.529 [38.82]	2.073 [52.65]
.040 [1.02]	.432 [10.97]	1.053 [26.76]	.238 [6.05]	.436 [11.07]	.509 [12.97]	.334 [8.48]	1.317 [33.45]	.999 [24.99]	1.156 [29.32]
.020 [0.51]	.412 [10.46]	1.073 [27.25]	.229 [5.82]	.416 [10.46]	.479 [12.17]	.324 [8.23]	1.307 [33.20]	.989 [24.84]	1.126 [28.72]
.040 [1.02]	.432 [10.97]	.749 [19.33]	.238 [6.05]	.436 [11.07]	.509 [12.97]	.334 [8.48]	.989 [24.87]	.671 [16.46]	1.228 [31.19]
.020 [0.51]	.412 [10.46]	.749 [19.02]	.229 [5.82]	.416 [10.46]	.479 [12.17]	.324 [8.23]	.979 [24.87]	.661 [16.27]	1.198 [30.43]

MSI8277-1	50	5	M24308/24-29	1757835-5	1-1757835-0
MSI8276-1	37	4	M24308/24-28	1757835-4	1757835-9
MSI8275-1	25	3	M24308/24-27	1757835-3	1757835-8
MSI8274-1	15	2	M24308/24-26	1757835-2	1757835-7
MSI8273-1	9	1	M24308/24-25	1757835-1	1757835-6
MSI8277-1	50	5	M24308/24-29	1757835-5	1757835-5
MSI8276-1	37	4	M24308/24-28	1757835-4	1757835-4
MSI8275-1	25	3	M24308/24-27	1757835-3	1757835-3
MSI8274-1	15	2	M24308/24-26	1757835-2	1757835-2
MSI8273-1	9	1	M24308/24-25	1757835-1	1757835-1

DETAIL K
 SCALE 10:1
 FOR 1757835-6 THRU -10 ONLY

THIS DRAWING IS A CONTROLLED DOCUMENT. CONTROL NUMBER: 1583800

DATE: 2-13-08

DESIGNED BY: J. MILLER

DATE: 2-13-08

PLUG ASSEMBLY, AMPLE, RT ANGLE, SERIES 109, SIZE 1 THRU 5

REV: 1 DATE: 08-01-08 DRAWN BY: A100779

REV: 2 DATE: 08-01-08 DRAWN BY: A100779

REV: 3 DATE: 08-01-08 DRAWN BY: A100779

REV: 4 DATE: 08-01-08 DRAWN BY: A100779

REV: 5 DATE: 08-01-08 DRAWN BY: A100779

REV: 6 DATE: 08-01-08 DRAWN BY: A100779

REV: 7 DATE: 08-01-08 DRAWN BY: A100779

REV: 8 DATE: 08-01-08 DRAWN BY: A100779

REV: 9 DATE: 08-01-08 DRAWN BY: A100779

REV: 10 DATE: 08-01-08 DRAWN BY: A100779

REV: 11 DATE: 08-01-08 DRAWN BY: A100779

REV: 12 DATE: 08-01-08 DRAWN BY: A100779

REV: 13 DATE: 08-01-08 DRAWN BY: A100779

REV: 14 DATE: 08-01-08 DRAWN BY: A100779

REV: 15 DATE: 08-01-08 DRAWN BY: A100779

REV: 16 DATE: 08-01-08 DRAWN BY: A100779

REV: 17 DATE: 08-01-08 DRAWN BY: A100779

REV: 18 DATE: 08-01-08 DRAWN BY: A100779

REV: 19 DATE: 08-01-08 DRAWN BY: A100779

REV: 20 DATE: 08-01-08 DRAWN BY: A100779

REV: 21 DATE: 08-01-08 DRAWN BY: A100779

REV: 22 DATE: 08-01-08 DRAWN BY: A100779

REV: 23 DATE: 08-01-08 DRAWN BY: A100779

REV: 24 DATE: 08-01-08 DRAWN BY: A100779

REV: 25 DATE: 08-01-08 DRAWN BY: A100779

REV: 26 DATE: 08-01-08 DRAWN BY: A100779

REV: 27 DATE: 08-01-08 DRAWN BY: A100779

REV: 28 DATE: 08-01-08 DRAWN BY: A100779

REV: 29 DATE: 08-01-08 DRAWN BY: A100779

REV: 30 DATE: 08-01-08 DRAWN BY: A100779

REV: 31 DATE: 08-01-08 DRAWN BY: A100779

REV: 32 DATE: 08-01-08 DRAWN BY: A100779

REV: 33 DATE: 08-01-08 DRAWN BY: A100779

REV: 34 DATE: 08-01-08 DRAWN BY: A100779

REV: 35 DATE: 08-01-08 DRAWN BY: A100779

REV: 36 DATE: 08-01-08 DRAWN BY: A100779

REV: 37 DATE: 08-01-08 DRAWN BY: A100779

REV: 38 DATE: 08-01-08 DRAWN BY: A100779

REV: 39 DATE: 08-01-08 DRAWN BY: A100779

REV: 40 DATE: 08-01-08 DRAWN BY: A100779

REV: 41 DATE: 08-01-08 DRAWN BY: A100779

REV: 42 DATE: 08-01-08 DRAWN BY: A100779

REV: 43 DATE: 08-01-08 DRAWN BY: A100779

REV: 44 DATE: 08-01-08 DRAWN BY: A100779

REV: 45 DATE: 08-01-08 DRAWN BY: A100779

REV: 46 DATE: 08-01-08 DRAWN BY: A100779

REV: 47 DATE: 08-01-08 DRAWN BY: A100779

REV: 48 DATE: 08-01-08 DRAWN BY: A100779

REV: 49 DATE: 08-01-08 DRAWN BY: A100779

REV: 50 DATE: 08-01-08 DRAWN BY: A100779

REV: 51 DATE: 08-01-08 DRAWN BY: A100779

REV: 52 DATE: 08-01-08 DRAWN BY: A100779

REV: 53 DATE: 08-01-08 DRAWN BY: A100779

REV: 54 DATE: 08-01-08 DRAWN BY: A100779

REV: 55 DATE: 08-01-08 DRAWN BY: A100779

REV: 56 DATE: 08-01-08 DRAWN BY: A100779

REV: 57 DATE: 08-01-08 DRAWN BY: A100779

REV: 58 DATE: 08-01-08 DRAWN BY: A100779

REV: 59 DATE: 08-01-08 DRAWN BY: A100779

REV: 60 DATE: 08-01-08 DRAWN BY: A100779

REV: 61 DATE: 08-01-08 DRAWN BY: A100779

REV: 62 DATE: 08-01-08 DRAWN BY: A100779

REV: 63 DATE: 08-01-08 DRAWN BY: A100779

REV: 64 DATE: 08-01-08 DRAWN BY: A100779

REV: 65 DATE: 08-01-08 DRAWN BY: A100779

REV: 66 DATE: 08-01-08 DRAWN BY: A100779

REV: 67 DATE: 08-01-08 DRAWN BY: A100779

REV: 68 DATE: 08-01-08 DRAWN BY: A100779

REV: 69 DATE: 08-01-08 DRAWN BY: A100779

REV: 70 DATE: 08-01-08 DRAWN BY: A100779

REV: 71 DATE: 08-01-08 DRAWN BY: A100779

REV: 72 DATE: 08-01-08 DRAWN BY: A100779

REV: 73 DATE: 08-01-08 DRAWN BY: A100779

REV: 74 DATE: 08-01-08 DRAWN BY: A100779

REV: 75 DATE: 08-01-08 DRAWN BY: A100779

REV: 76 DATE: 08-01-08 DRAWN BY: A100779

REV: 77 DATE: 08-01-08 DRAWN BY: A100779

REV: 78 DATE: 08-01-08 DRAWN BY: A100779

REV: 79 DATE: 08-01-08 DRAWN BY: A100779

REV: 80 DATE: 08-01-08 DRAWN BY: A100779

REV: 81 DATE: 08-01-08 DRAWN BY: A100779

REV: 82 DATE: 08-01-08 DRAWN BY: A100779

REV: 83 DATE: 08-01-08 DRAWN BY: A100779

REV: 84 DATE: 08-01-08 DRAWN BY: A100779

REV: 85 DATE: 08-01-08 DRAWN BY: A100779

REV: 86 DATE: 08-01-08 DRAWN BY: A100779

REV: 87 DATE: 08-01-08 DRAWN BY: A100779

REV: 88 DATE: 08-01-08 DRAWN BY: A100779

REV: 89 DATE: 08-01-08 DRAWN BY: A100779

REV: 90 DATE: 08-01-08 DRAWN BY: A100779

REV: 91 DATE: 08-01-08 DRAWN BY: A100779

REV: 92 DATE: 08-01-08 DRAWN BY: A100779

REV: 93 DATE: 08-01-08 DRAWN BY: A100779

REV: 94 DATE: 08-01-08 DRAWN BY: A100779

REV: 95 DATE: 08-01-08 DRAWN BY: A100779

REV: 96 DATE: 08-01-08 DRAWN BY: A100779

REV: 97 DATE: 08-01-08 DRAWN BY: A100779

REV: 98 DATE: 08-01-08 DRAWN BY: A100779

REV: 99 DATE: 08-01-08 DRAWN BY: A100779

REV: 100 DATE: 08-01-08 DRAWN BY: A100779

