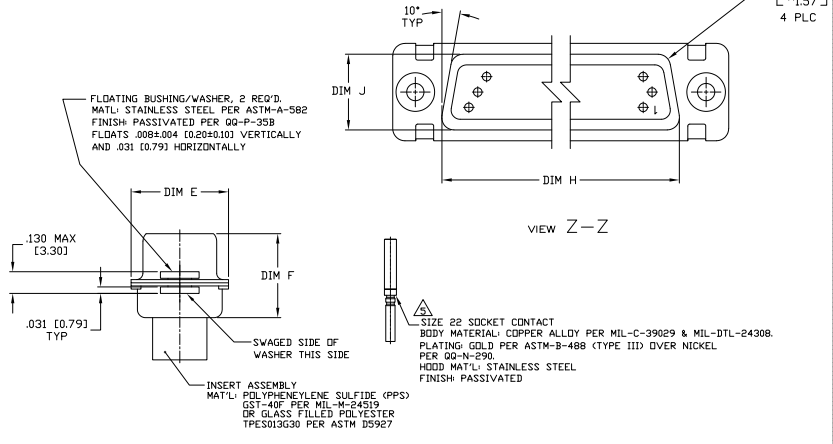


1. THE CONNECTOR DESCRIBED IN THIS DOCUMENT WILL MATE WITH ANY PLUG CONNECTOR WITH THE SAME INSERT ARRANGEMENT.
2. MARKED WITH .047-.062 [1.19-1.57] HIGH CHARACTERS. FAR SIDE REFERS TO THE WIDE SIDE OF THE KEYSTONE. NEAR SIDE REFERS TO THE NARROW SIDE OF THE KEYSTONE. WHEN SPACE IS LIMITED MARKING CAN BE SPLIT BETWEEN FRONT AND REAR SHELL.
3. UL/CSA DESIGNATION STAMPED IN THIS AREA (EXCEPT FOR SIZE 6).
4. CONNECTOR ASSEMBLY WITHOUT CONTACTS, MFG'S P/N 204351-1. MUST BE ORDERED SEPARATELY.
5. CONNECTOR ASSEMBLY SUPPLIED WITH CONTACTS, MFG'S P/N 204351-1. PACKAGED IN A SEPARATE CONTAINER. QTY = NO. OF POSN. (SEE TABLE).



MARKED	MFG'S PART NO.	MFG'S NAME, BRAND OR LOGO	DATE CODE	POSN	SIZE	ARRANGEMENT	ND OF POSN	SHELL SIZE	PART NUMBER								
△	M24308/2-33	M24308/2-33	1-1757826-2	.049 (1.24)	.606 (15.39)	2.912 (78.72)	2.48 (6.30)	.439 (11.15)	.683 (17.35)	4.90 (12.45)	2.505 (63.63)	2.194 (55.73)	2.744 (69.70)	MS14004-1	104	6	1-1757826-2
△	M24308/2-32	M24308/2-32	1-1757826-1	.049 (1.24)	.586 (14.88)	2.292 (58.22)	2.38 (6.02)	.419 (10.64)	.653 (16.59)	.489 (12.19)	2.495 (63.37)	2.184 (55.47)	2.714 (68.94)	MS18277-2	78	5	1-1757826-1
△	M24308/2-31	M24308/2-31	1-1757826-0	.049 (1.24)	.544 (13.82)	2.198 (55.89)	2.48 (6.30)	.439 (11.15)	.650 (16.51)	.418 (10.63)	2.401 (60.93)	2.083 (52.90)	2.650 (66.91)	MS18276-2	62	4	1-1757826-0
△	M24308/2-30	M24308/2-30	1757826-9	.049 (1.24)	.432 (10.97)	2.282 (57.96)	2.48 (6.30)	.439 (11.15)	.599 (15.93)	.316 (8.03)	2.505 (63.63)	2.164 (54.97)	2.744 (69.70)	MS18275-2	44	3	1757826-9
△	M24308/2-29	M24308/2-29	1757826-8	.049 (1.24)	.432 (10.97)	1.635 (41.53)	2.48 (6.30)	.439 (11.15)	.599 (15.93)	.316 (8.03)	1.827 (47.17)	1.516 (38.51)	2.103 (53.42)	MS18274-2	26	2	1757826-8
△	M24308/2-28	M24308/2-28	1757826-7	.040 (1.02)	.412 (10.46)	1.815 (45.82)	2.38 (6.02)	.419 (10.64)	.479 (12.17)	.306 (7.77)	1.847 (46.91)	1.506 (38.25)	2.073 (52.65)	MS18273-2	15	1	1757826-7
△	M24308/2-302	M24308/2-33	1-1757826-2	.049 (1.24)	.586 (14.88)	2.292 (58.22)	2.38 (6.02)	.419 (10.64)	.653 (16.59)	.489 (12.19)	2.495 (63.37)	2.184 (55.47)	2.714 (68.94)	MS14004-1	104	6	1757826-6
△	M24308/2-301	M24308/2-32	1-1757826-1	.049 (1.24)	.544 (13.82)	2.198 (55.89)	2.48 (6.30)	.439 (11.15)	.650 (16.51)	.418 (10.63)	2.401 (60.93)	2.083 (52.90)	2.650 (66.91)	MS18277-2	78	5	1757826-5
△	M24308/2-300	M24308/2-31	1-1757826-0	.049 (1.24)	.432 (10.97)	2.282 (57.96)	2.48 (6.30)	.439 (11.15)	.599 (15.93)	.316 (8.03)	2.505 (63.63)	2.164 (54.97)	2.744 (69.70)	MS18276-2	62	4	1757826-4
△	M24308/2-299	M24308/2-30	1757826-9	.049 (1.24)	.432 (10.97)	1.635 (41.53)	2.48 (6.30)	.439 (11.15)	.599 (15.93)	.316 (8.03)	1.827 (47.17)	1.516 (38.51)	2.103 (53.42)	MS18275-2	44	3	1757826-3
△	M24308/2-298	M24308/2-29	1757826-8	.040 (1.02)	.412 (10.46)	1.815 (45.82)	2.38 (6.02)	.419 (10.64)	.479 (12.17)	.306 (7.77)	1.847 (46.91)	1.506 (38.25)	2.073 (52.65)	MS18274-2	26	2	1757826-2
△	M24308/2-297	M24308/2-28	1757826-7	.040 (1.02)	.412 (10.46)	1.749 (44.28)	2.38 (6.02)	.419 (10.64)	.479 (12.17)	.306 (7.77)	.979 (24.87)	.638 (16.21)	1.198 (30.43)	MS18273-2	15	1	1757826-1

REMARKS: MILITARY P/N ON PACKAGE; MILITARY P/N ON CONNECTOR; MARKED MFG'S PART NUMBER

THIS DRAWING IS A CONTROLLED DOCUMENT. TTD ELECTRONICS CORPORATION, Harrisburg, PA 17105-3008. MILLER, MILLER, MILLER. AMPLITUDE RECEPTACLE ASSY, SIZE 1 THRU 6 SERIES 90 WITH ZINC PLATING AND FLOAT BUSHINGS. SIZE: 1757826. CUSTOMER DRAWING: 1757826. SHEET: 4.1 OF 1. DATE: 10/10/08.