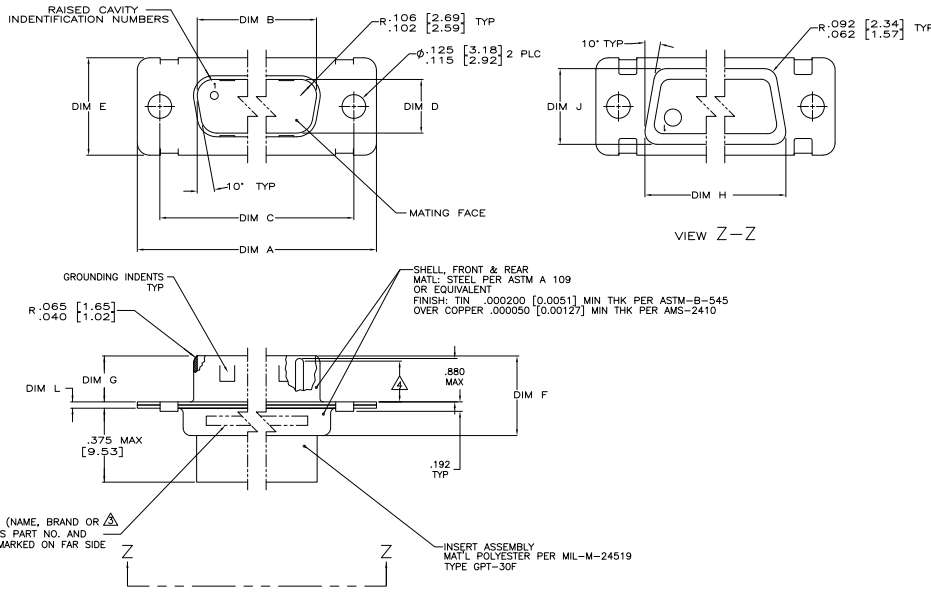


REV	DATE	DESCRIPTION	BY	CHK	APP
C		REVISED PER ECO-09-00889			



- THIS CONNECTOR ASSEMBLY IS SUPPLIED WITH METAL CONTACT RETENTION CLIPS INSTALLED IN THE INSERT ASSEMBLY.
- THIS CONNECTOR ASSEMBLY MEETS THE REQUIREMENTS OF MIL-C-24308 AND MATES WITH ANY RECEPTACLE CONNECTOR WITH THE SAME INSERT ARRANGEMENT.
- MARK WITH .047 [1.19]-.062 [1.57] HIGH CHARACTERS. FAR SIDE REFERS TO THE WIDE SIDE OF THE KEYSTONE. NEAR SIDE REFERS TO THE NARROW SIDE OF THE KEYSTONE. IF THE REAR SHELL IS TOO SMALL FOR THE ENTIRE MFG'S PART NUMBER, MARKING SHALL BE LOCATED AS FOLLOWS:  
 A. MFG'S (NAME, BRAND OR LOGO) AND DATE CODE ON REAR SHELL, NEAR SIDE.  
 B. MFG'S PART NUMBER ON REAR SHELL, FAR SIDE.
- REQUIREMENT FOR FULL PIN DIAMETER EXTENSION:  
 .164 [4.17] MIN, SHELL SIZES 1 AND 2.  
 .155 [3.94] MIN, SHELL SIZES 3, 4, AND 5.  
 CONTACT SHOWN INSTALLED FOR DIMENSIONAL REFERENCE ONLY.
- MAXIMUM WIRE INSULATION TO BE USED WITH THIS CONNECTOR ASSEMBLY IS .072 [1.83] DIAMETER.
- FOR CONTACT CRIMPING INSTRUCTION SHEET REFER TO MFG'S IS 7516. FOR CONTACT INSTALLATION AND REMOVAL INSTRUCTION SHEET REFER TO I.S. 7508.
- THIS CONNECTOR ASSEMBLY IS DESIGNED TO ACCEPT SIZE 20 CRIMP TYPE PIN CONTACT MILITARY PART NO. M39029/64-369 (IE PART NO. 205089-1). FOR ALTERNATE CONTACT OPTIONS CONSULT THE ITC CATALOG.
- THIS DRAWING SHALL BE INTERPRETED IN ACCORDANCE WITH APPLICABLE STANDARDS LISTED IN MIL-STD-100.

.049 [1.24]	.432 [10.93]	1.635 [41.53]	.238 [6.04]	.436 [11.07]	.509 [12.93]	.334 [8.48]	1.857 [47.17]	1.539 [39.09]	2.103 [53.42]	25	3	1757510-3	1757510-3
.029 [0.74]	.412 [10.46]	1.615 [41.02]	.229 [5.82]	.416 [10.57]	.479 [12.17]	.324 [8.23]	1.847 [46.91]	1.529 [38.98]	2.073 [52.65]	15	2	1757510-2	1757510-2
.040 [1.02]	.432 [10.93]	1.635 [41.53]	.238 [6.04]	.432 [10.97]	.509 [12.93]	.334 [8.48]	1.847 [46.91]	1.529 [38.98]	2.073 [52.65]	9	1	1757510-1	1757510-1
.020 [0.51]	.412 [10.46]	1.635 [41.53]	.229 [5.82]	.412 [10.48]	.479 [12.17]	.324 [8.23]	1.847 [46.91]	1.529 [38.98]	2.073 [52.65]	9	1	1757510-1	1757510-1
.040 [1.02]	.432 [10.93]	1.635 [41.53]	.238 [6.04]	.432 [10.97]	.509 [12.93]	.334 [8.48]	1.847 [46.91]	1.529 [38.98]	2.073 [52.65]	9	1	1757510-1	1757510-1
.020 [0.51]	.412 [10.46]	1.635 [41.53]	.229 [5.82]	.412 [10.48]	.479 [12.17]	.324 [8.23]	1.847 [46.91]	1.529 [38.98]	2.073 [52.65]	9	1	1757510-1	1757510-1
L	J	H	G	F	E	D	C	B	A	NO. OF POS	SHELL SIZE	MFG'S PART NO. ON CONNECTOR	PART NUMBER

THIS DRAWING IS A CONTROLLED DOCUMENT.		APPROVED	DATE	TYS Electronics Corporation Harrisburg, Pa 17105-3608
DESIGNED BY	DESIGNED	DATE	TYPED	DATE
DRAWN BY	DRAWN	DATE	APPROVED	DATE
CHECKED BY	CHECKED	DATE	CUSTOMER DRAWING	DATE