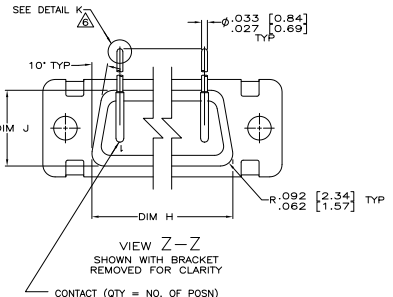
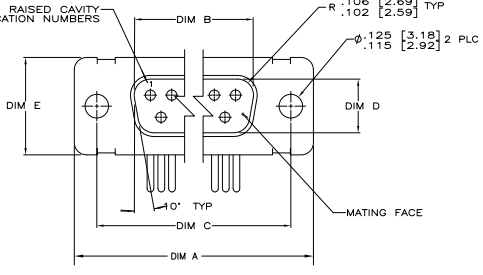
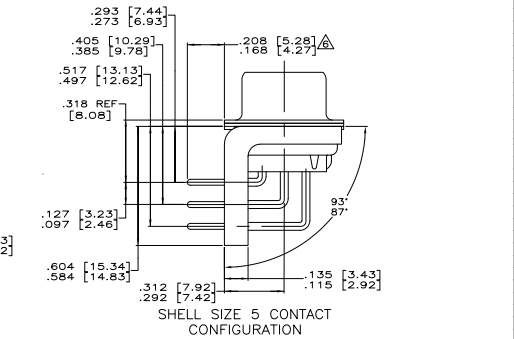
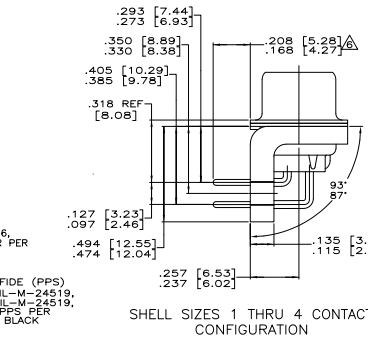
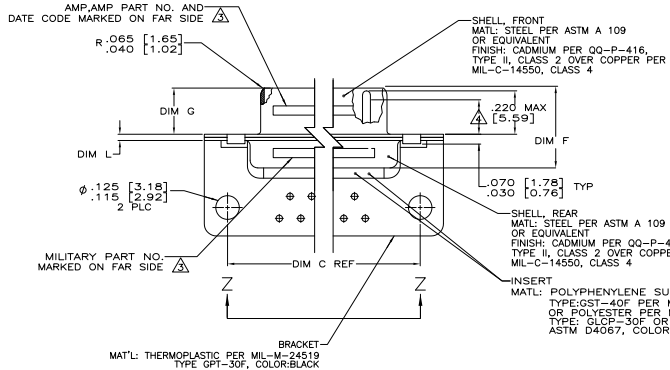


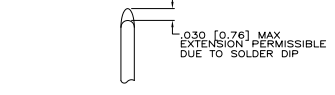
THIS DRAWING IS UNCLASSIFIED
 UNLESS INDICATED OTHERWISE
 ALL RIGHTS RESERVED
 © 2008 BY TTI ELECTRONICS CORPORATION



- SEE SHEET 2 FOR RECOMMENDED P.C. BOARD LAYOUT. TRUE POSITION TOLERANCE FOR P.C. BOARD LAYOUT IS .010 [0.25] AT MAX MATERIAL CONDITION. SUGGESTED BOARD THICKNESS IS .062 [1.57].
2. THE CONNECTORS DESCRIBED IN THIS DOCUMENT MEET THE REQUIREMENTS OF MIL-C-24308 AND MATE WITH ANY RECEPTACLE CONNECTOR WITH SAME INSERT ARRANGEMENT.
3. MARKED WITH .047 [1.19]-.062 [1.57] HIGH CHARACTERS. FAR SIDE REFERS TO THE WIDE SIDE OF THE KEYSTONE. NEAR SIDE REFERS TO THE NARROW SIDE OF THE KEYSTONE. IF THE REAR SHELL IS TOO SMALL FOR THE ENTIRE MILITARY PART NUMBER, MARKING SHALL BE LOCATED AS FOLLOWS:
- A. "M24308" ON FRONT SHELL, FAR SIDE.
 - B. SLASH SHEET AND DASH NUMBER ON REAR SHELL, FAR SIDE.
 - C. "AMP" AND DATE CODE ON FRONT SHELL, NEAR SIDE.
 - D. AMP PART NUMBER ON REAR SHELL, NEAR SIDE.
- IF THE FRONT SHELL IS TOO SMALL FOR "AMP", AMP PART NUMBER AND DATE CODE, MARKING SHALL BE SPLIT AS FOLLOWS:
- A. AMP PART NUMBER ON REAR SHELL, NEAR SIDE.
 - B. "AMP" AND DATE CODE ON FRONT SHELL, NEAR SIDE.
 - C. MILITARY PART NUMBER ON REAR SHELL, FAR SIDE.
4. REQUIREMENT FOR FULL PIN DIAMETER EXTENSION:
- .159 [4.04] MIN. SHELL SIZES 1 AND 2.
 - .150 [3.81] MIN. SHELL SIZES 3 AND 4.
5. THIS DRAWING SHALL BE INTERPRETED IN ACCORDANCE WITH APPLICABLE STANDARDS LISTED IN MIL-STD-100.
6. SOLDER DIPPED PER MIL-STD-2000 COMPOSITION Sn63 CONFORMING TO QQ-S-571 IN THE ENTIRE AREA OF DIMENSION SHOWN. 1218444-6 THRU -10 ONLY.



.049	1.24	.544	13.82	2.188	55.58	.236	5.99	.436	11.07	.620	15.75	.446	11.33	2.411	61.24	2.084	52.55	2.650	67.31	MS18277-1	50	5	M24308/24-53F	1218444-5	1-1218444-0
.029	0.74	.524	13.31	2.168	55.07	.224	5.69	.416	10.57	.590	14.99	.436	11.07	2.401	60.99	2.074	52.30	2.620	66.55	MS18276-1	37	4	M24308/24-52F	1218444-4	1218444-9
.049	1.24	.432	10.97	2.282	57.96	.236	5.99	.436	11.07	.509	12.93	.334	8.48	2.505	63.63	2.197	54.97	2.744	69.70	MS18275-1	25	3	M24308/24-51F	1218444-3	1218444-8
.029	0.74	.412	10.46	2.262	57.45	.224	5.69	.416	10.57	.479	12.17	.324	8.23	2.485	63.37	2.177	54.71	2.714	68.94	MS18274-1	15	2	M24308/24-50F	1218444-2	1218444-7
.049	1.24	.432	10.97	1.635	41.53	.236	5.99	.436	11.07	.509	12.93	.334	8.48	1.857	47.17	1.539	38.51	2.103	53.42	MS18273-1	9	1	M24308/24-49F	1218444-1	1218444-6
.029	0.74	.412	10.46	1.615	41.02	.224	5.69	.416	10.57	.479	12.17	.324	8.23	1.847	46.91	1.529	38.25	2.073	52.65	MS18272-1	50	5	M24308/24-53F	1218444-5	1218444-9
.049	1.24	.432	10.97	2.282	57.96	.236	5.99	.436	11.07	.509	12.93	.334	8.48	2.505	63.63	2.197	54.97	2.744	69.70	MS18276-1	37	4	M24308/24-52F	1218444-4	1218444-8
.029	0.74	.412	10.46	2.262	57.45	.224	5.69	.416	10.57	.479	12.17	.324	8.23	2.485	63.37	2.177	54.71	2.714	68.94	MS18275-1	25	3	M24308/24-51F	1218444-3	1218444-7
.049	1.24	.432	10.97	1.635	41.53	.236	5.99	.436	11.07	.509	12.93	.334	8.48	1.857	47.17	1.539	38.51	2.103	53.42	MS18273-1	9	1	M24308/24-49F	1218444-1	1218444-5
.029	0.74	.412	10.46	1.615	41.02	.224	5.69	.416	10.57	.479	12.17	.324	8.23	1.847	46.91	1.529	38.25	2.073	52.65	MS18272-1	50	5	M24308/24-53F	1218444-5	1218444-9
.049	1.24	.432	10.97	2.282	57.96	.236	5.99	.436	11.07	.509	12.93	.334	8.48	2.505	63.63	2.197	54.97	2.744	69.70	MS18276-1	37	4	M24308/24-52F	1218444-4	1218444-8
.029	0.74	.412	10.46	2.262	57.45	.224	5.69	.416	10.57	.479	12.17	.324	8.23	2.485	63.37	2.177	54.71	2.714	68.94	MS18275-1	25	3	M24308/24-51F	1218444-3	1218444-7
.049	1.24	.432	10.97	1.635	41.53	.236	5.99	.436	11.07	.509	12.93	.334	8.48	1.857	47.17	1.539	38.51	2.103	53.42	MS18273-1	9	1	M24308/24-49F	1218444-1	1218444-5
.029	0.74	.412	10.46	1.615	41.02	.224	5.69	.416	10.57	.479	12.17	.324	8.23	1.847	46.91	1.529	38.25	2.073	52.65	MS18272-1	50	5	M24308/24-53F	1218444-5	1218444-9
.049	1.24	.432	10.97	2.282	57.96	.236	5.99	.436	11.07	.509	12.93	.334	8.48	2.505	63.63	2.197	54.97	2.744	69.70	MS18276-1	37	4	M24308/24-52F	1218444-4	1218444-8
.029	0.74	.412	10.46	2.262	57.45	.224	5.69	.416	10.57	.479	12.17	.324	8.23	2.485	63.37	2.177	54.71	2.714	68.94	MS18275-1	25	3	M24308/24-51F	1218444-3	1218444-7
.049	1.24	.432	10.97	1.635	41.53	.236	5.99	.436	11.07	.509	12.93	.334	8.48	1.857	47.17	1.539	38.51	2.103	53.42	MS18273-1	9	1	M24308/24-49F	1218444-1	1218444-5
.029	0.74	.412	10.46	1.615	41.02	.224	5.69	.416	10.57	.479	12.17	.324	8.23	1.847	46.91	1.529	38.25	2.073	52.65	MS18272-1	50	5	M24308/24-53F	1218444-5	1218444-9
.049	1.24	.432	10.97	2.282	57.96	.236	5.99	.436	11.07	.509	12.93	.334	8.48	2.505	63.63	2.197	54.97	2.744	69.70	MS18276-1	37	4	M24308/24-52F	1218444-4	1218444-8
.029	0.74	.412	10.46	2.262	57.45	.224	5.69	.416	10.57	.479	12.17	.324	8.23	2.485	63.37	2.177	54.71	2.714	68.94	MS18275-1	25	3	M24308/24-51F	1218444-3	1218444-7
.049	1.24	.432	10.97	1.635	41.53	.236	5.99	.436	11.07	.509	12.93	.334	8.48	1.857	47.17	1.539	38.51	2.103	53.42	MS18273-1	9	1	M24308/24-49F	1218444-1	1218444-5
.029	0.74	.412	10.46	1.615	41.02	.224	5.69	.416	10.57	.479	12.17	.324	8.23	1.847	46.91	1.529	38.25	2.073	52.65	MS18272-1	50	5	M24308/24-53F	1218444-5	1218444-9
.049	1.24	.432	10.97	2.282	57.96	.236	5.99	.436	11.07	.509	12.93	.334	8.48	2.505	63.63	2.197	54.97	2.744	69.70	MS18276-1	37	4	M24308/24-52F	1218444-4	1218444-8
.029	0.74	.412	10.46	2.262	57.45	.224	5.69	.416	10.57	.479	12.17	.324	8.23	2.485	63.37	2.177	54.71	2.714	68.94	MS18275-1	25	3	M24308/24-51F	1218444-3	1218444-7
.049	1.24	.432	10.97	1.635	41.53	.236	5.99	.436	11.07	.509	12.93	.334	8.48	1.857	47.17	1.539	38.51	2.103	53.42	MS18273-1	9	1	M24308/24-49F	1218444-1	1218444-5
.029	0.74	.412	10.46	1.615	41.02	.224	5.69	.416	10.57	.479	12.17	.324	8.23	1.847	46.91	1.529	38.25	2.073	52.65	MS18272-1	50	5	M24308/24-53F	1218444-5	1218444-9
.049	1.24	.432	10.97	2.282	57.96	.236	5.99	.436	11.07	.509	12.93	.334	8.48	2.505	63.63	2.197	54.97	2.744	69.70	MS18276-1	37	4	M24308/24-52F	1218444-4	1218444-8
.029	0.74	.412	10.46	2.262	57.45	.224	5.69	.416	10.57	.479	12.17	.324	8.23	2.485	63.37	2.177	54.71	2.714	68.94	MS18275-1	25	3	M24308/24-51F	1218444-3	1218444-7
.049	1.24	.432	10.97	1.635	41.53	.236	5.99	.436	11.07	.509	12.93	.334	8.48	1.857	47.17	1.539	38.51	2.103	53.42	MS18273-1	9	1	M24308/24-49F	1218444-1	1218444-5
.029	0.74	.412	10.46	1.615	41.02	.224	5.69	.416	10.57	.479	12.17	.324	8.23	1.847	46.91	1.529	38.25	2.073	52.65	MS18272-1	50	5	M24308/24-53F	1218444-5	1218444-9

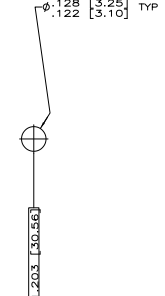
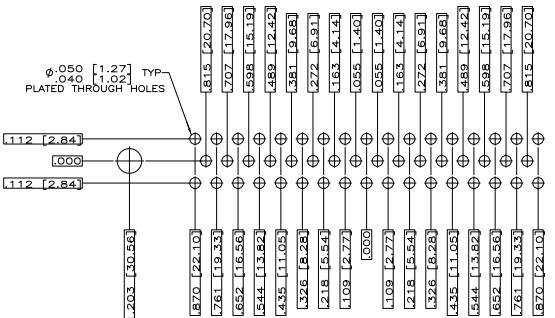
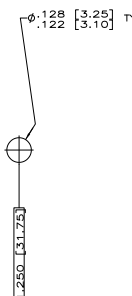
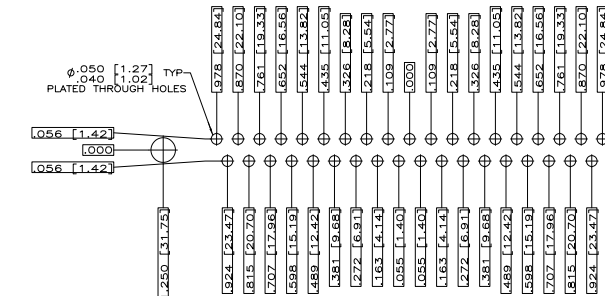
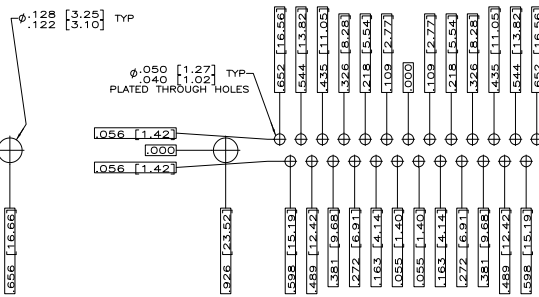
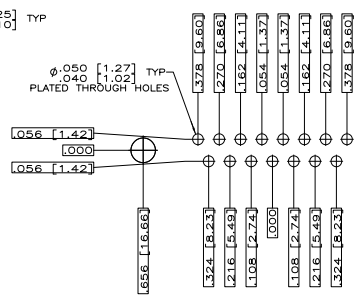
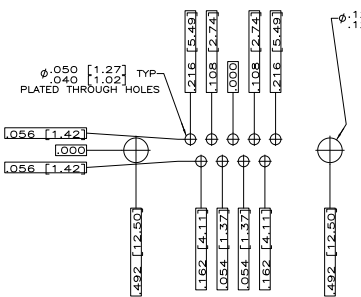


DETAIL K
 SCALE 8:1
 FOR 1218444-6 THRU -10 ONLY

THIS DRAWING IS A CONTROLLED DOCUMENT.		REV. NO.		DATE		BY		CHKD.		DATE		BY		CHKD.		DATE		BY		CHKD.		DATE	
DRAWING NO.		REV. NO.		DATE		BY		CHKD.		DATE		BY		CHKD.		DATE		BY		CHKD.		DATE	
DRAWING NO.		REV. NO.		DATE		BY		CHKD.		DATE		BY		CHKD.		DATE		BY		CHKD.		DATE	
DRAWING NO.		REV. NO.		DATE		BY		CHKD.		DATE		BY		CHKD.		DATE		BY		CHKD.		DATE	
DRAWING NO.		REV. NO.		DATE		BY		CHKD.		DATE		BY		CHKD.		DATE		BY		CHKD.		DATE	
DRAWING NO.		REV. NO.		DATE		BY		CHKD.		DATE		BY		CHKD.		DATE		BY		CHKD.		DATE	
DRAWING NO.		REV. NO.		DATE		BY		CHKD.		DATE		BY		CHKD.		DATE		BY		CHKD.		DATE	
DRAWING NO.		REV. NO.		DATE		BY		CHKD.		DATE		BY		CHKD.		DATE		BY		CHKD.		DATE	
DRAWING NO.		REV. NO.		DATE		BY		CHKD.		DATE		BY		CHKD.		DATE		BY		CHKD.		DATE	
DRAWING NO.		REV. NO.		DATE		BY		CHKD.		DATE		BY		CHKD.		DATE		BY		CHKD.		DATE	
DRAWING NO.		REV. NO.		DATE		BY		CHKD.		DATE		BY		CHKD.		DATE		BY		CHKD.		DATE	
DRAWING NO.		REV. NO.		DATE		BY		CHKD.		DATE		BY		CHKD.		DATE		BY		CHKD.		DATE	
DRAWING NO.		REV. NO.		DATE		BY		CHKD.		DATE		BY		CHKD.		DATE		BY		CHKD.		DATE	
DRAWING NO.		REV. NO.		DATE		BY		CHKD.		DATE		BY		CHKD.		DATE		BY		CHKD.		DATE	
DRAWING NO.		REV. NO.		DATE		BY		CHKD.		DATE		BY		CHKD.		DATE		BY		CHKD.		DATE	
DRAWING NO.		REV. NO.		DATE		BY		CHKD.		DATE		BY		CHKD.		DATE		BY		CHKD.		DATE	
DRAWING NO.		REV. NO.		DATE		BY		CHKD.		DATE		BY		CHKD.		DATE		BY		CHKD.		DATE	
DRAWING NO.		REV. NO.		DATE		BY		CHKD.		DATE		BY		CHKD.		DATE		BY		CHKD.		DATE	
DRAWING NO.		REV. NO.		DATE		BY		CHKD.		DATE		BY		CHKD.		DATE		BY		CHKD.		DATE	
DRAWING NO.		REV. NO.		DATE		BY		CHKD.		DATE		BY		CHKD.		DATE		BY		CHKD.		DATE	
DRAWING NO.		REV. NO.		DATE		BY		CHKD.		DATE		BY		CHKD.		DATE		BY		CHKD.		DATE	
DRAWING NO.		REV. NO.		DATE		BY		CHKD.		DATE		BY											

THIS DRAWING IS UNPUBLISHED. ALL RIGHTS RESERVED.
 © 2005 TYP Electronics Corporation

REV	DATE	DESCRIPTION	BY	APP
DF	DO	SEE SHEET 1	-	-



THIS DRAWING IS A CONTROLLED DOCUMENT.		REV. CONTROL	12-14-98	TYP Electronics Corporation Harrisburg, PA 17105-3608	
DESIGNER	APPROVED	DATE	12-15-98	PLUG ASSY AMP/LITE RIGHT ANGLE SERIES 109 SIZE 1 THRU 5	
WORKS	DRWG. NO.	REV.	1	SIZE	A1
DATE	12-15-98	REV.	1	DRAWING NO.	00779
SEE CALLOUTS	SEE CALLOUTS	CUSTOMER DRAWING	1218444	REV.	4.1
				SHEET	2
				TOTAL	2