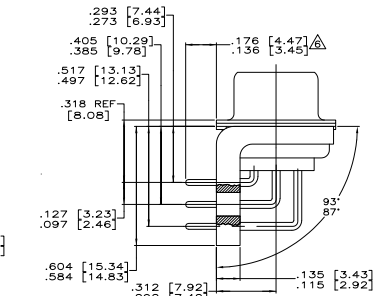
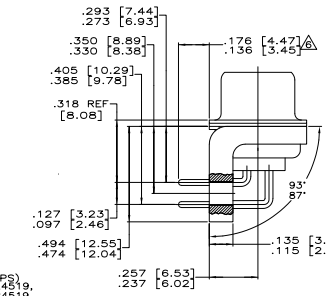
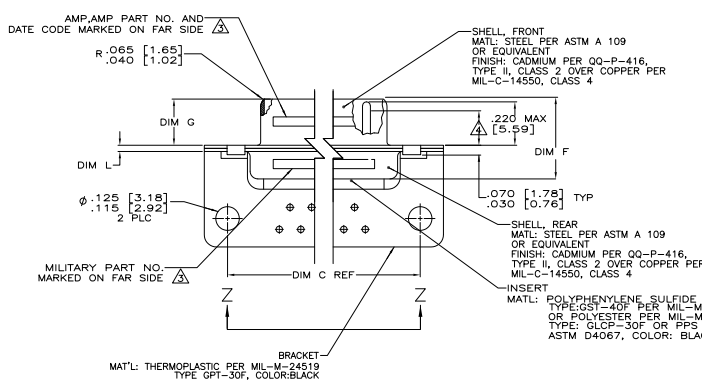


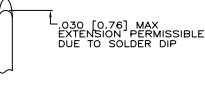
REV	DATE	DESCRIPTION	BY	CHKD
1				
2				
3				
4				
5				
6				
7				
8				

- SEE SHEET 2 FOR RECOMMENDED P.C. BOARD LAYOUT. TRUE POSITION TOLERANCE FOR P.C. BOARD LAYOUT IS .010 [0.25] AT MAX MATERIAL CONDITION. SUGGESTED BOARD THICKNESS IS .062 [1.57]
- THE CONNECTORS DESCRIBED IN THIS DOCUMENT MEET THE REQUIREMENTS OF MIL-C-24308 AND MATE WITH ANY RECEPTACLE CONNECTOR WITH SAME INSERT ARRANGEMENT.
- MARKED WITH .047 [1.19) -.062 [1.57] HIGH CHARACTERS. FAR SIDE REFERS TO THE WIDE SIDE OF THE KEYSTONE. NEAR SIDE REFERS TO THE NARROW SIDE OF THE KEYSTONE. IF THE REAR SHELL IS TOO SMALL FOR THE ENTIRE MILITARY PART NUMBER, MARKING SHALL BE LOCATED AS FOLLOWS:
 - A. "M24308" ON FRONT SHELL, FAR SIDE.
 - B. SLASH SHEET AND DASH NUMBER ON REAR SHELL, FAR SIDE.
 - C. "AMP" AND DATE CODE ON FRONT SHELL, NEAR SIDE.
 - D. AMP PART NUMBER ON REAR SHELL, NEAR SIDE.
- IF THE FRONT SHELL IS TOO SMALL FOR "AMP", AMP PART NUMBER AND DATE CODE, MARKING SHALL BE SPLIT AS FOLLOWS:
 - A. AMP PART NUMBER ON REAR SHELL, NEAR SIDE.
 - B. "AMP" AND DATE CODE ON FRONT SHELL, NEAR SIDE.
 - C. MILITARY PART NUMBER ON REAR SHELL, FAR SIDE.
- REQUIREMENT FOR FULL PIN DIAMETER EXTENSION:
 - .159 [4.04] MIN. SHELL SIZES 1 AND 2.
 - .150 [3.81] MIN. SHELL SIZES 3 AND 4.
- THIS DRAWING SHALL BE INTERPRETED IN ACCORDANCE WITH APPLICABLE STANDARDS LISTED IN MIL-STD-100.
- SOLDER DIPPED PER MIL-STD-2000 COMPOSITION Sn63 CONFORMING TO QQ-S-571 IN THE ENTIRE AREA OF DIMENSION SHOWN. 1218441-6 THRU -10 ONLY.



MS18277-1	50	5	M24308/24-35F	1218441-5	1-1218441-0
MS18276-1	37	4	M24308/24-34F	1218441-4	1218441-9
MS18275-1	25	3	M24308/24-33F	1218441-3	1218441-8
MS18274-1	15	2	M24308/24-32F	1218441-2	1218441-7
MS18273-1	9	1	M24308/24-31F	1218441-1	1218441-6
MS18277-1	50	5	M24308/24-35F	1218441-5	1218441-10
MS18276-1	37	4	M24308/24-34F	1218441-4	1218441-9
MS18275-1	25	3	M24308/24-33F	1218441-3	1218441-8
MS18274-1	15	2	M24308/24-32F	1218441-2	1218441-7
MS18273-1	9	1	M24308/24-31F	1218441-1	1218441-6
MS18277-1	50	5	M24308/24-35F	1218441-5	1218441-11
MS18276-1	37	4	M24308/24-34F	1218441-4	1218441-10
MS18275-1	25	3	M24308/24-33F	1218441-3	1218441-9
MS18274-1	15	2	M24308/24-32F	1218441-2	1218441-8
MS18273-1	9	1	M24308/24-31F	1218441-1	1218441-7

DIM L	DIM J	DIM H	DIM G	DIM F	DIM E	DIM D	DIM C	DIM B	DIM A
.049 [1.24]	.544 [13.82]	2.188 [55.58]	.236 [5.99]	.436 [11.07]	.620 [15.75]	.446 [11.33]	2.411 [61.24]	2.084 [52.55]	2.650 [67.31]
.029 [0.74]	.524 [13.31]	2.168 [55.07]	.224 [5.69]	.416 [10.57]	.590 [14.99]	.436 [11.07]	2.401 [60.99]	2.074 [52.30]	2.620 [66.55]
.049 [1.24]	.432 [10.97]	2.282 [57.96]	.236 [5.99]	.436 [11.07]	.509 [12.93]	.334 [8.48]	2.505 [63.63]	2.187 [54.97]	2.744 [69.70]
.029 [0.74]	.412 [10.46]	2.262 [57.45]	.224 [5.69]	.416 [10.57]	.478 [12.17]	.324 [8.23]	2.485 [63.37]	2.177 [54.71]	2.714 [68.94]
.049 [1.24]	.432 [10.97]	1.635 [41.53]	.236 [5.99]	.436 [11.07]	.509 [12.93]	.334 [8.48]	1.857 [47.17]	1.539 [38.51]	2.103 [53.42]
.029 [0.74]	.412 [10.46]	1.615 [41.02]	.224 [5.69]	.416 [10.57]	.478 [12.17]	.324 [8.23]	1.847 [46.91]	1.529 [38.25]	2.073 [52.65]
.049 [1.24]	.432 [10.97]	1.093 [27.76]	.236 [5.99]	.436 [11.07]	.509 [12.93]	.334 [8.48]	1.317 [33.45]	.989 [24.79]	1.556 [39.52]
.020 [0.51]	.412 [10.46]	1.073 [27.25]	.229 [5.82]	.412 [10.46]	.479 [12.17]	.324 [8.23]	1.307 [33.20]	.989 [24.54]	1.526 [38.76]
.040 [1.02]	.432 [10.97]	.769 [19.53]	.236 [5.99]	.436 [11.07]	.509 [12.93]	.334 [8.48]	.989 [25.12]	.671 [16.46]	1.228 [31.19]
.020 [0.51]	.412 [10.46]	.749 [19.02]	.229 [5.82]	.412 [10.46]	.479 [12.17]	.324 [8.23]	.979 [24.87]	.661 [16.21]	1.198 [30.43]



DETAIL K
 SCALE 8:1
 FOR 1218441-6 THRU -10 ONLY

THIS DRAWING IS A CONTROLLED DOCUMENT.

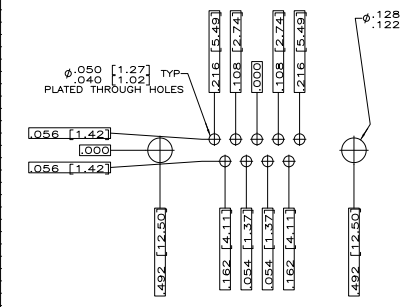
REVISIONS: 1, 2, 3, 4, 5, 6, 7, 8, 9, 10, 11, 12, 13, 14, 15, 16, 17, 18, 19, 20, 21, 22, 23, 24, 25, 26, 27, 28, 29, 30, 31, 32, 33, 34, 35, 36, 37, 38, 39, 40, 41, 42, 43, 44, 45, 46, 47, 48, 49, 50, 51, 52, 53, 54, 55, 56, 57, 58, 59, 60, 61, 62, 63, 64, 65, 66, 67, 68, 69, 70, 71, 72, 73, 74, 75, 76, 77, 78, 79, 80, 81, 82, 83, 84, 85, 86, 87, 88, 89, 90, 91, 92, 93, 94, 95, 96, 97, 98, 99, 100.

DATE: 12-18-81
 DRAWN BY: [Name]
 CHECKED BY: [Name]
 APPROVED BY: [Name]

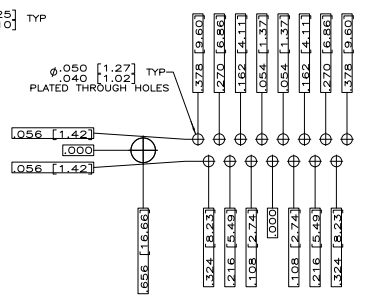
CUSTOMER DRAWING: A100779G-1218441

THIS DRAWING IS UNPUBLISHED
 ALL RIGHTS RESERVED
 © 2015, ELECTRONICS CORPORATION

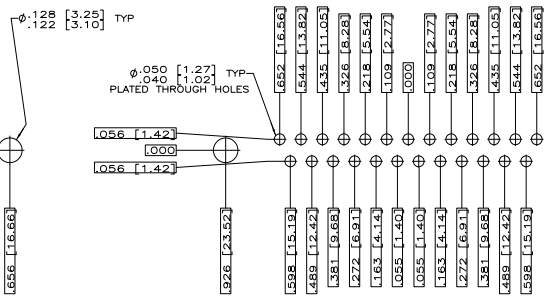
REV	DATE	DESCRIPTION	BY	APP'D
DF	DO	SEE SHEET 1	-	-



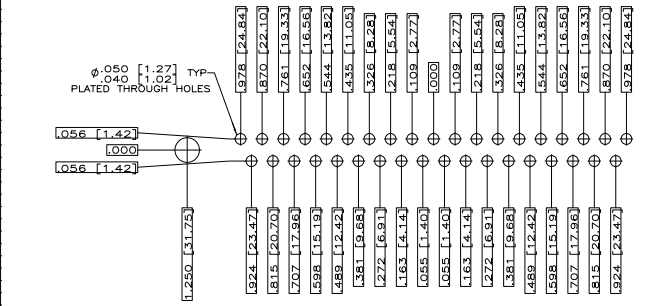
RECOMMENDED P.C. BOARD LAYOUT
 SHELL SIZE 1 (9 POSITION) Δ



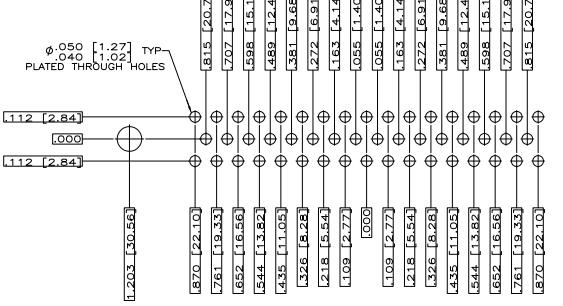
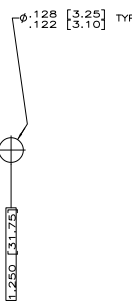
RECOMMENDED P.C. BOARD LAYOUT
 SHELL SIZE 2 (15 POSITION) Δ



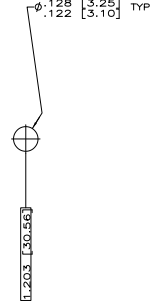
RECOMMENDED P.C. BOARD LAYOUT
 SHELL SIZE 3 (25 POSITION) Δ



RECOMMENDED P.C. BOARD LAYOUT
 SHELL SIZE 4 (37 POSITION) Δ



RECOMMENDED P.C. BOARD LAYOUT
 SHELL SIZE 5 (50 POSITION) Δ



THIS DRAWING IS A CONTROLLED DOCUMENT.		DATE: 12-14-18	REVISED: 12-13-18	DATE: 12-13-18	DATE: 12-13-18
DESIGNED BY: [Signature]	DRAWN BY: [Signature]	DATE: 12-13-18	DATE: 12-13-18	DATE: 12-13-18	DATE: 12-13-18
CHECKED BY: [Signature]	DATE: 12-13-18	DATE: 12-13-18	DATE: 12-13-18	DATE: 12-13-18	DATE: 12-13-18
DATE: 12-13-18	DATE: 12-13-18	DATE: 12-13-18	DATE: 12-13-18	DATE: 12-13-18	DATE: 12-13-18
DATE: 12-13-18	DATE: 12-13-18	DATE: 12-13-18	DATE: 12-13-18	DATE: 12-13-18	DATE: 12-13-18