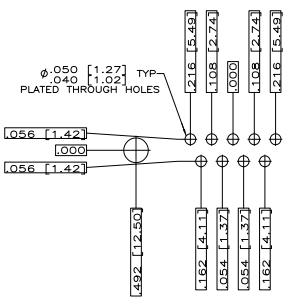
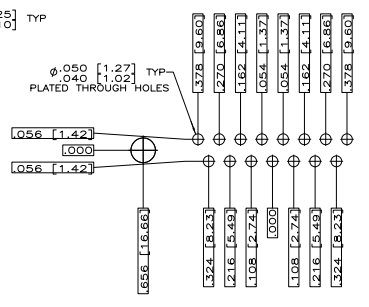




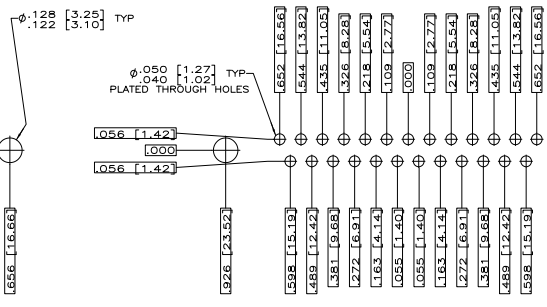
| REV | DATE | DESCRIPTION | BY | APP'D |
|-----|------|-------------|----|-------|
| DF  | DO   | SEE SHEET 1 | -  | -     |



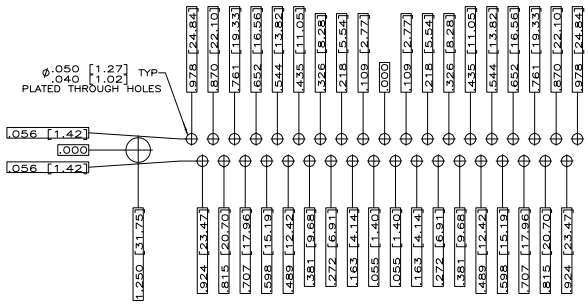
RECOMMENDED P.C. BOARD LAYOUT  
 SHELL SIZE 1 (9 POSITION)



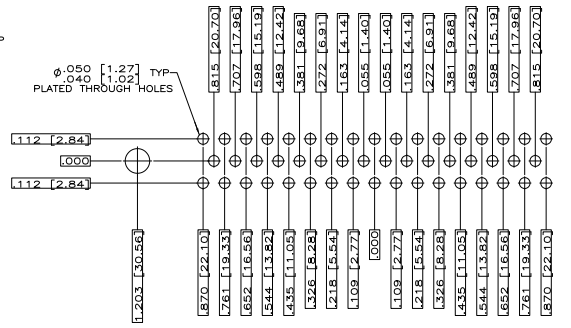
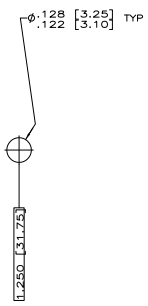
RECOMMENDED P.C. BOARD LAYOUT  
 SHELL SIZE 2 (15 POSITION)



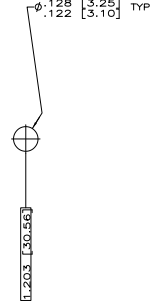
RECOMMENDED P.C. BOARD LAYOUT  
 SHELL SIZE 3 (25 POSITION)



RECOMMENDED P.C. BOARD LAYOUT  
 SHELL SIZE 4 (37 POSITION)



RECOMMENDED P.C. BOARD LAYOUT  
 SHELL SIZE 5 (50 POSITION)  $\Delta$



THIS DRAWING IS A CONTROLLED DOCUMENT. REV. C. THOMAS 11-13-89

|              |              |              |              |
|--------------|--------------|--------------|--------------|
| DESIGNER     | APPROVED     | DATE         | 12-13-89     |
| WORKS        | REVISIONS    | DATE         | 12-13-89     |
| PROJECT      | DESCRIPTION  | REVISIONS    | DATE         |
| SEE CALLOUTS | SEE CALLOUTS | SEE CALLOUTS | SEE CALLOUTS |

TE Connectivity  
 RECEPTACLE ASSY/AMPLIMITE  
 RIGHT ANGLE SERIES 109 SIZE 1 THRU 5  
 SIZE 41 DRAWING NO. 00779 ©=1218408  
 CUSTOMER DRAWING  
 SHEET 41 OF 2