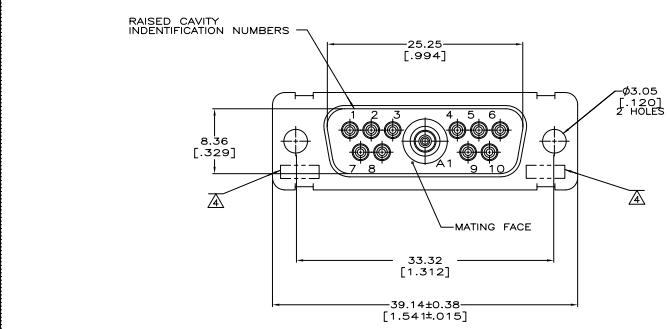
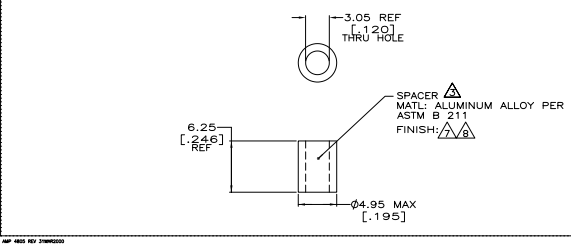
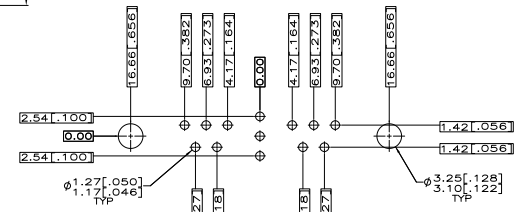
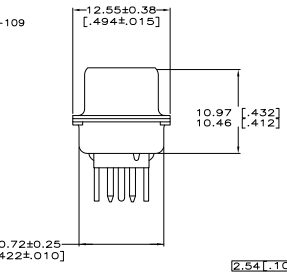
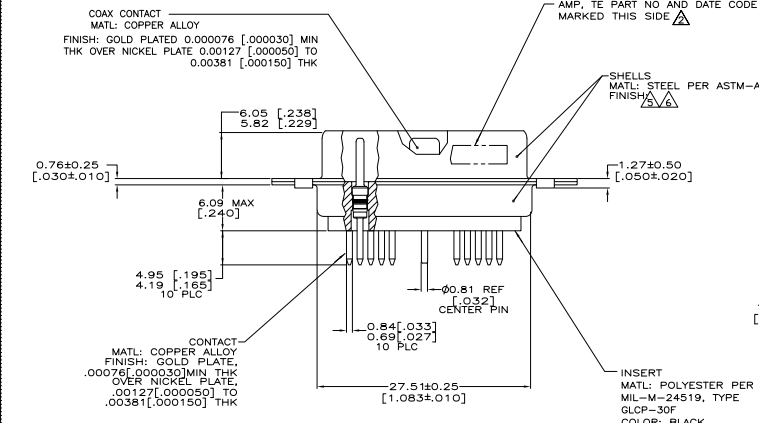


THIS DRAWING IS UNPUBLISHED  
 UNLESS OTHERWISE SPECIFIED IN THIS DRAWING, ALL RIGHTS RESERVED

REV	DATE	DESCRIPTION	BY	CHK	APP
DF	DO				
F		REV PER ECO-08-00704		DAWSON	TK CT



- THE CONNECTORS DESCRIBED IN THIS DOCUMENT SHALL BE CAPABLE OF MEETING THE REQUIREMENTS OF 108-1770-1 AND MATE WITH ANY APPLICABLE RECEPTACLE CONNECTOR WITH SAME INSERT ARRANGEMENT.
- MARKED WITH 1.19[.047]-1.57[.062] HIGH CHARACTERS. FAR SIDE REFERS TO THE WIDE SIDE OF THE KEYSTONE. NEAR SIDE REFERS TO THE NARROW SIDE OF THE KEYSTONE. IF THE FRONT SHELL IS TOO SMALL FOR "AMP", TE PART NUMBER AND DATE CODE, THEN SPLIT AS FOLLOWS:  
 A. TE PART NUMBER ON REAR SHELL, FAR SIDE.  
 B. "AMP" AND DATE CODE ON FRONT SHELL, FAR SIDE.
- SPACERS (QTY 2) ARE SUPPLIED WITH CONNECTORS (NOT ATTACHED TO THE CONNECTOR).
- UL/CSA DESIGNATION STAMPED IN THIS AREA, OPTIONAL.
- FINISH: CADMIUM PLATE PER QQ-P-416.
- FINISH: ZINC PLATED PER ASTM-B-633 .000200-.000400 THK WITH SUPPLEMENTARY CHROMATE (Cr3+).
- FINISH: IRIDATE PER MIL-C-5541, COLOR: GOLD.
- FINISH: SUPPLEMENTARY CHROMATE (Cr3+).



RECOMMENDED P.C. BOARD LAYOUT  
 SHELL SIZE 2 (11C1 POSITION)

REVISIONS	5-1218128-1
REMARKS	1218128-1
PART NUMBER	

THIS DRAWING IS A CONTROLLED DOCUMENT. DATE: 12-3-98

DESIGNED BY: J. THOMAS  
 CHECKED BY: J. MILLER  
 DATE: 1-13-98

ISSUED BY: J. MILLER  
 DATE: 1-13-98

REVISIONS: SEE CALLOUTS

CUSTOMER DRAWING: A100779G=1218128

DATE: 1-13-98

REV: 1

APP: F